

TSA TSAT CJTSA

TSA: Single inlet, belt-driven centrifugal fans with shaft outlet and forward-curved impeller

TSAT: Belt-driven, single inlet, centrifugal fans fitted with electric motors, a set of pulleys and belts, protectors and forward-curved impeller

CJTSA: Ventilation units with forward-curved impeller, acoustic insulation, fitted with fans from the TSA series, resting on rubber shock-absorbers



TSA



TSAT



CJTSA

Fan:

- Galvanised sheet steel casing.
- Impeller with forward-curved reaction blades made of galvanised sheet steel.
- Galvanised sheet steel structure with thermal and acoustic insulation (CJTSA).
- Cable gland for cable entry (CJTSA).

Motor:

- IE3 efficiency motors for powers equal to or greater than 0.75kW except single-phase, 2-speed and 8-pole.
- Class F motors with ball bearings and IP55 protection.
- Multi voltage motor, special design valid for 220/380V 60Hz, 254/440V 60Hz, 265/460V 60Hz, 277/480V 60Hz.
- Maximum temperature of air to be carried: -20 °C. +60 °C.

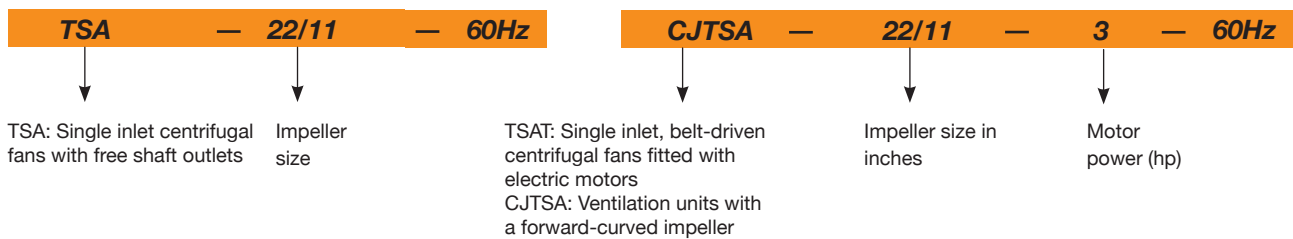
Finish:

- Anti-corrosive finished galvanised sheet steel.

On request:

- Different impulsion nozzle positions.
- Special windings for different voltages.
- With 2-speed motors.

Order code



Technical characteristics

60Hz

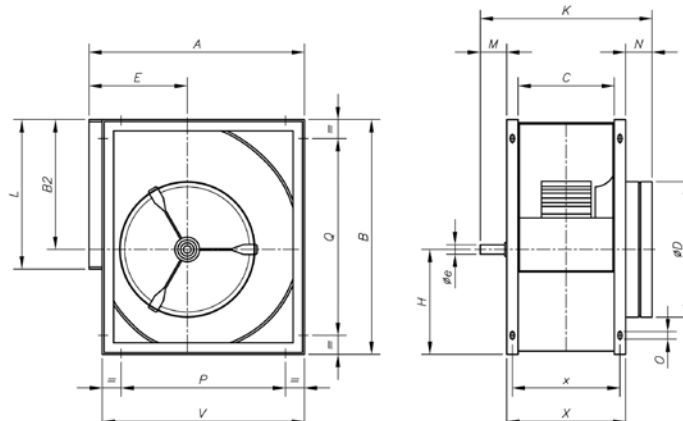
Model	Max. speed (r/min)	Max. installed power (kW)	Maximum flow rate (m³/h)	Air temperature min. (°C)	Air temperature max. (°C)	Approx. weight (kg)
TSA-12/6	1500	2.2	4800	-20	85	17.5
TSA-15/7	1050	3	7400	-20	85	22.5
TSA-18/9	920	4	10500	-20	85	33
TSA-20/10	850	5.5	15000	-20	85	71
TSA-22/11	1000	18.5	26000	-20	85	80
TSA-25/13	810	18.5	32000	-20	85	93
TSA-30/14	600	18.5	38000	-20	85	125

Technical characteristics

Model			Speed (r/min)	Max. admissible current (A)		Installed power (kW)	Maximum flow rate (m ³ /h)	Sound pres- sure level dB(A)	Approx. weight (kg)
				220-277V	380-480V				
TSAT	CJTSA	12/6-0.75	1000	2.4	1.4	0.55	2600	69	73
TSAT	CJTSA	12/6-1	1100	3.3	1.9	0.75	3100	71	74
TSAT	CJTSA	12/6-1.5	1250	4.5	2.6	1.1	3500	74	77
TSAT	CJTSA	12/6-2	1300	6.0	3.5	1.5	4250	77	80
TSAT	CJTSA	12/6-3	1500	8.3	4.8	2.2	4800	79	85
TSAT	CJTSA	15/7-1	800	3.3	1.9	0.75	4000	67	92
TSAT	CJTSA	15/7-1.5	850	4.5	2.6	1.1	4800	69	95
TSAT	CJTSA	15/7-2	920	6.0	3.5	1.5	5400	72	98
TSAT	CJTSA	15/7-3	1000	8.3	4.8	2.2	6400	75	103
TSAT	CJTSA	15/7-4	1050	11.2	6.5	3	7400	77	106
TSAT	CJTSA	18/9-1.5	750	4.5	2.6	1.1	5800	68	111
TSAT	CJTSA	18/9-2	790	6.0	3.5	1.5	6600	70	114
TSAT	CJTSA	18/9-3	800	8.3	4.8	2.2	8200	74	119
TSAT	CJTSA	18/9-4	850	11.2	6.5	3	9000	76	122
TSAT	CJTSA	18/9-5.5	920	14.9	8.6	4	10500	78	125
TSAT	CJTSA	20/10-2	650	6.0	3.5	1.5	8100	65	203
TSAT	CJTSA	20/10-3	690	8.3	4.8	2.2	10100	68	208
TSAT	CJTSA	20/10-4	750	11.2	6.5	3	11500	70	211
TSAT	CJTSA	20/10-5.5	790	14.9	8.6	4	13100	73	214
TSAT	CJTSA	20/10-7.5	850		11.1	5.5	15000	75	227
TSAT	CJTSA	22/11-3	580	8.3	4.8	2.2	11200	67	219
TSAT	CJTSA	22/11-4	610	11.2	6.5	3	13000	70	222
TSAT	CJTSA	22/11-5.5	650	14.9	8.6	4	15000	72	225
TSAT	CJTSA	22/11-7.5	690		11.1	5.5	17000	74	238
TSAT	CJTSA	22/11-10	750		14.8	7.5	19000	76	246
TSAT	CJTSA	22/11-12.5	790		17.8	9.2	21000	78	257
TSAT	CJTSA	22/11-15	830		21.5	11	22000	79	273
TSAT	CJTSA	22/11-20	910		28.5	15	24500	81	292
TSAT	CJTSA	22/11-25	1000		35.0	18.5	26000	83	322
TSAT	CJTSA	25/13-4	520	11.2	6.5	3	14000	62	254
TSAT	CJTSA	25/13-5.5	550	14.9	8.6	4	17000	65	257
TSAT	CJTSA	25/13-7.5	590		11.1	5.5	19500	67	270
TSAT	CJTSA	25/13-10	620		14.8	7.5	23000	70	278
TSAT	CJTSA	25/13-12.5	650		17.8	9.2	25000	72	289
TSAT	CJTSA	25/13-15	690		21.5	11	26500	74	305
TSAT	CJTSA	25/13-20	750		28.5	15	29500	75	324
TSAT	CJTSA	25/13-25	810		35.0	18.5	32000	77	354
TSAT	CJTSA	30/14-5.5	400	14.9	8.6	4	21000	69	331
TSAT	CJTSA	30/14-7.5	425		11.1	5.5	24000	72	344
TSAT	CJTSA	30/14-10	460		14.8	7.5	27500	74	352
TSAT	CJTSA	30/14-12.5	480		17.8	9.2	30000	76	363
TSAT	CJTSA	30/14-15	500		21.5	11	33000	77	379
TSAT	CJTSA	30/14-20	550		28.5	15	36500	78	398
TSAT	CJTSA	30/14-25	600		35.0	18.5	38000	81	428

Dimensions mm

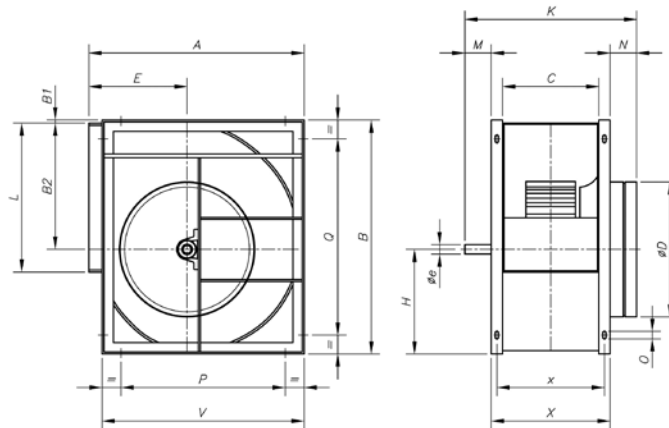
TSA



Model	A	B	B2	C	øD	E	øe	H	K	L	M	N	O	P	Q	V	X	x
TSA-12/6	498	532	290	210	325	230	25	242	435	345	75	90	9x17	324	324	468	270	242
TSA-15/7	583	632	348	269	400	265	25	284	494	404	75	90	9x17	406	406	553	329	301
TSA-18/9	694	756	415	301	475	323	25	341	526	482	75	90	9x17	520	608	664	361	333

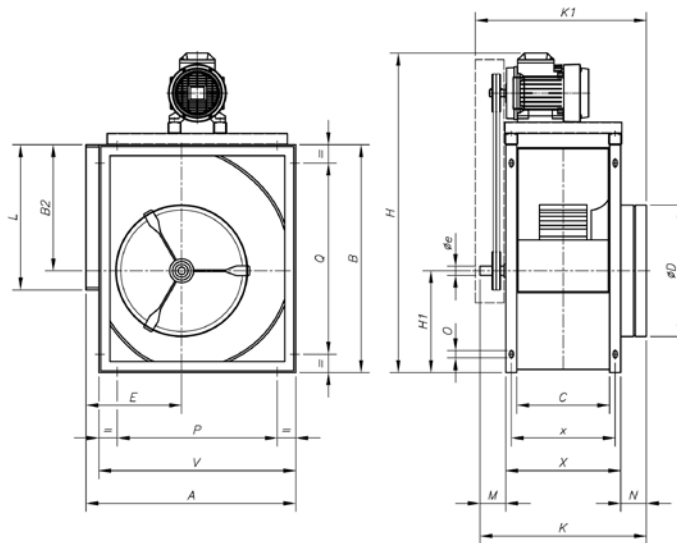
Dimensions mm

TSA



Model	A	B	B1	B2	C	øD	E	øe	H	K	L	M	N	O	P	Q	V	X	x
TSA-20/10	843	963	35	523	330	575	375	35	440	620	603	100	110	9x17	646	811	798	410	370
TSA-22/11	913	1046	35	569	358	615	400	35	477	648	693	100	110	9x17	716	894	868	438	398
TSA-25/13	998	1161	35	642	412	695	423	35	519	701	793	100	110	9x17	801	1009	953	492	452
TSA-30/14	1206	1400	35	776	474	835	515	40	624	764	933	100	110	9x17	1009	1248	1161	554	514

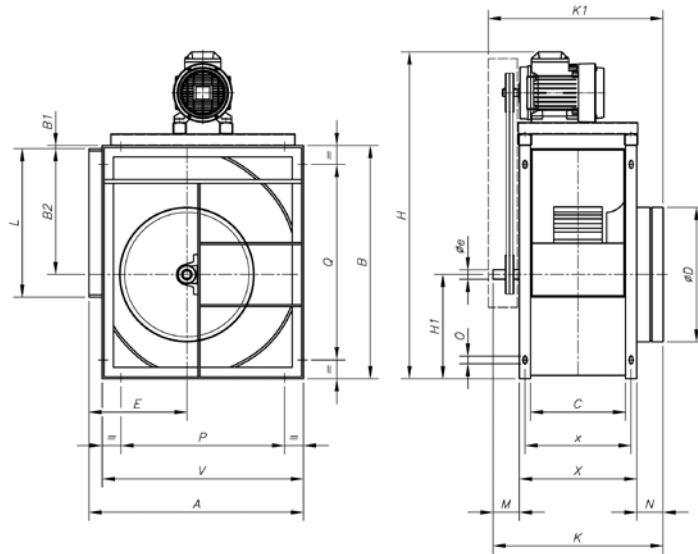
TSAT



Model	A	B	B2	C	øD	E	øe	H	H1	K	K1	L	M	N	O	P	Q	V	X	x
TSAT-12/6-0.75	498	532	290	210	325	230	25	805	242	435	475	345	75	90	9x17	324	324	468	270	242
TSAT-12/6-1	498	532	290	210	325	230	25	805	242	435	475	345	75	90	9x17	324	324	468	270	242
TSAT-12/6-1.5	498	532	290	210	325	230	25	825	242	435	475	345	75	90	9x17	324	324	468	270	242
TSAT-12/6-2	498	532	290	210	325	230	25	825	242	435	475	345	75	90	9x17	324	324	468	270	242
TSAT-12/6-3	498	532	290	210	325	230	25	845	242	435	475	345	75	90	9x17	324	324	468	270	242
TSAT-15/7-1	583	632	348	269	400	265	25	905	284	494	535	404	75	90	9x17	406	406	553	329	301
TSAT-15/7-1.5	583	632	348	269	400	265	25	925	284	494	535	404	75	90	9x17	406	406	553	329	301
TSAT-15/7-2	583	632	348	269	400	265	25	925	284	494	535	404	75	90	9x17	406	406	553	329	301
TSAT-15/7-3	583	632	348	269	400	265	25	945	284	494	535	404	75	90	9x17	406	406	553	329	301
TSAT-15/7-4	583	632	348	269	400	265	25	945	284	494	535	404	75	90	9x17	406	406	553	329	301
TSAT-18/9-1.5	694	756	415	301	475	323	25	1050	341	526	566	482	75	90	9x17	520	608	664	361	333
TSAT-18/9-2	694	756	415	301	475	323	25	1050	341	526	566	482	75	90	9x17	520	608	664	361	333
TSAT-18/9-3	694	756	415	301	475	323	25	1070	341	526	566	482	75	90	9x17	520	608	664	361	333
TSAT-18/9-4	694	756	415	301	475	323	25	1070	341	526	566	482	75	90	9x17	520	608	664	361	333
TSAT-18/9-5.5	694	756	415	301	475	323	25	1095	341	526	566	482	75	90	9x17	520	608	664	361	333

Dimensions mm

TSAT

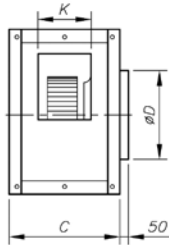
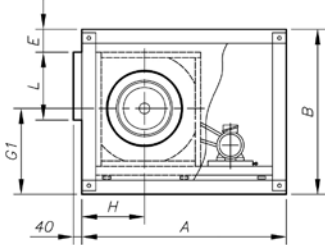


Model	A	B	B1	B2	C	øD	E	øe	H	H1	K	K1	L	M	N	O	P	Q	V	X	x
TSAT-20/10-2	843	963	35	523	330	575	375	35	1255	440	620	670	603	100	110	9x17	646	811	798	410	370
TSAT-20/10-3	843	963	35	523	330	575	375	35	1275	440	620	670	603	100	110	9x17	646	811	798	410	370
TSAT-20/10-4	843	963	35	523	330	575	375	35	1275	440	620	670	603	100	110	9x17	646	811	798	410	370
TSAT-20/10-5.5	843	963	35	523	330	575	375	35	1300	440	620	670	603	100	110	9x17	646	811	798	410	370
TSAT-20/10-7.5	843	963	35	523	330	575	375	35	1340	440	620	670	603	100	110	9x17	646	811	798	410	370
TSAT-22/11-3	913	1046	35	569	358	615	400	35	1355	477	648	700	693	100	110	9x17	716	894	868	438	398
TSAT-22/11-4	913	1046	35	569	358	615	400	35	1355	477	648	700	693	100	110	9x17	716	894	868	438	398
TSAT-22/11-5.5	913	1046	35	569	358	615	400	35	1280	477	648	700	693	100	110	9x17	716	894	868	438	398
TSAT-22/11-7.5	913	1046	35	569	358	615	400	35	1420	477	648	700	693	100	110	9x17	716	894	868	438	398
TSAT-22/11-10	913	1046	35	569	358	615	400	35	1420	477	648	700	693	100	110	9x17	716	894	868	438	398
TSAT-22/11-12.5	913	1046	35	569	358	615	400	35	1420	477	648	700	693	100	110	9x17	716	894	868	438	398
TSAT-22/11-15	913	1046	35	569	358	615	400	35	1480	477	648	700	693	100	110	9x17	716	894	868	438	398
TSAT-22/11-20	913	1046	35	569	358	615	400	35	1480	477	648	700	693	100	110	9x17	716	894	868	438	398
TSAT-22/11-25	913	1046	35	569	358	615	400	35	1565	477	648	700	693	100	110	9x17	716	894	868	438	398
TSAT-25/13-4	998	1161	35	642	412	695	423	35	1470	519	701	750	793	100	110	9x17	801	1009	953	492	452
TSAT-25/13-5.5	998	1161	35	642	412	695	423	35	1495	519	701	750	793	100	110	9x17	801	1009	953	492	452
TSAT-25/13-7.5	998	1161	35	642	412	695	423	35	1540	519	701	750	793	100	110	9x17	801	1009	953	492	452
TSAT-25/13-10	998	1161	35	642	412	695	423	35	1540	519	701	750	793	100	110	9x17	801	1009	953	492	452
TSAT-25/13-12.5	998	1161	35	642	412	695	423	35	1540	519	701	750	793	100	110	9x17	801	1009	953	492	452
TSAT-25/13-15	998	1161	35	642	412	695	423	35	1565	519	701	750	793	100	110	9x17	801	1009	953	492	452
TSAT-25/13-20	998	1161	35	642	412	695	423	35	1565	519	701	750	793	100	110	9x17	801	1009	953	492	452
TSAT-25/13-25	998	1161	35	642	412	695	423	35	1680	519	701	750	793	100	110	9x17	801	1009	953	492	452
TSAT-30/14-5.5	1206	1400	35	776	474	835	515	40	1735	624	764	815	933	100	110	9x17	1009	1248	1161	554	514
TSAT-30/14-7.5	1206	1400	35	776	474	835	515	40	1775	624	764	815	933	100	110	9x17	1009	1248	1161	554	514
TSAT-30/14-10	1206	1400	35	776	474	835	515	40	1775	624	764	815	933	100	110	9x17	1009	1248	1161	554	514
TSAT-30/14-12.5	1206	1400	35	776	474	835	515	40	1775	624	764	815	933	100	110	9x17	1009	1248	1161	554	514
TSAT-30/14-15	1206	1400	35	776	474	835	515	40	1835	624	764	815	933	100	110	9x17	1009	1248	1161	554	514
TSAT-30/14-20	1206	1400	35	776	474	835	515	40	1835	624	764	815	933	100	110	9x17	1009	1248	1161	554	514
TSAT-30/14-25	1206	1400	35	776	474	835	515	40	1925	624	764	815	933	100	110	9x17	1009	1248	1161	554	514

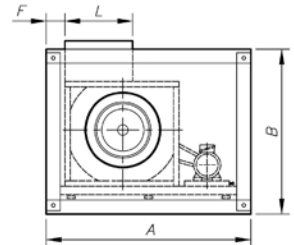
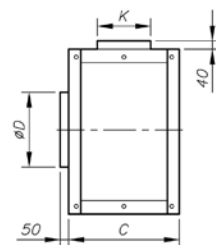
Dimensions mm

CJTSA

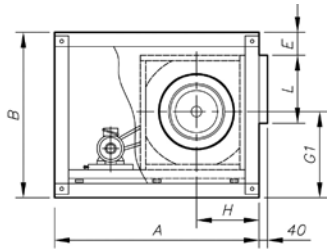
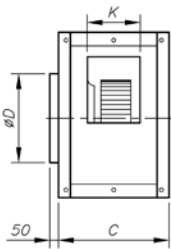
Standard supply horizontal impulsion (H) RD-90



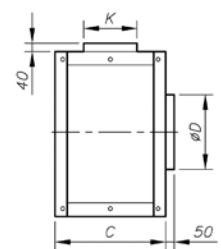
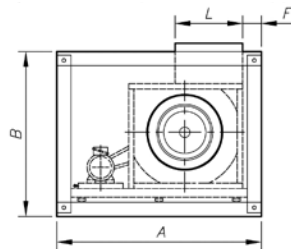
Vertical impulsion on request (V) RD-0



Horizontal impulsion on request (H) LG-90



Vertical impulsion on request (V) LG-0

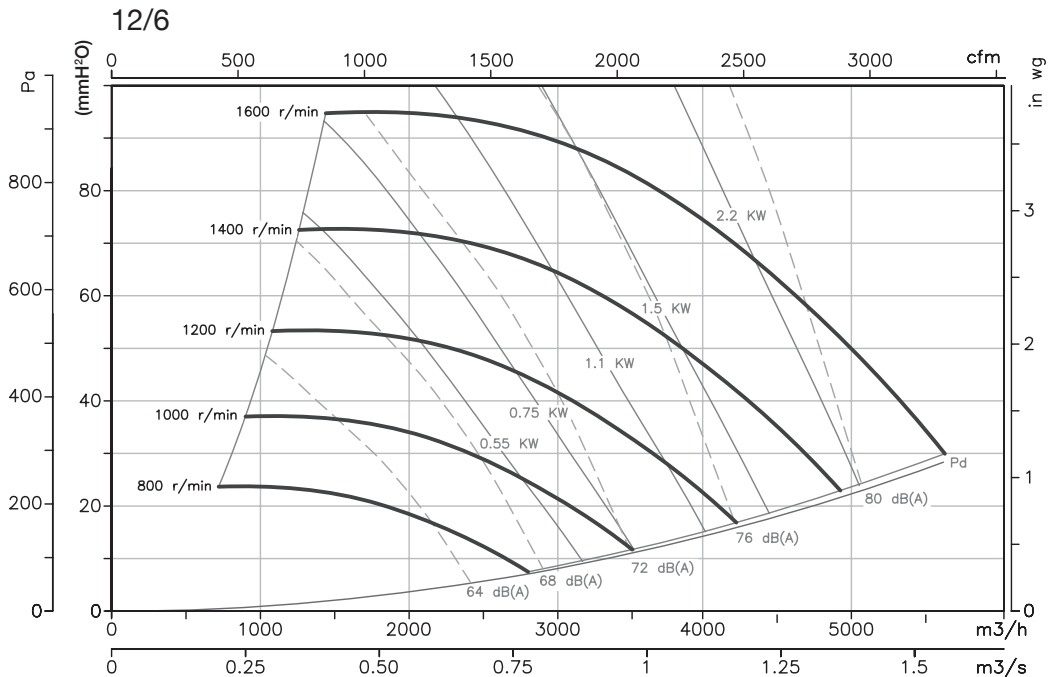


Model	A	B	C	ØD	E	with bench		G1	G1	H	L	L	K
						E	F						
CJTSA-12/6-H	850	650	540	330	74	-	-	288	-	288	346	-	210
CJTSA-12/6-V	850	650	540	330	-	-	30	318	-	328	346	-	210
CJTSA-15/7-H	1000	755	600	400	74	-	-	328	-	328	411	-	270
CJTSA-15/7-V	1000	755	600	400	-	-	30	378	-	383	411	-	270
CJTSA-18/9-H	1200	875	620	480	74	-	-	383	-	388	491	-	305
CJTSA-18/9-V	1200	875	620	480	-	-	30	433	-	448	491	-	305
CJTSA-20/10-H	1485	1175	730	565	175	120	-	475	530	440	613	605	343
CJTSA-20/10-V	1485	1175	730	565	-	-	75	535	-	585	613	-	343
CJTSA-22/11-H	1570	1250	760	615	165	110	-	510	565	470	708	700	373
CJTSA-22/11-V	1570	1250	760	615	-	-	75	570	-	640	708	-	373
CJTSA-25/13-H	1610	1375	820	685	175	120	-	550	605	495	803	795	423
CJTSA-25/13-V	1610	1375	820	685	-	-	75	625	-	705	803	-	423
CJTSA-30/14-H	1845	1600	855	820	160	95	-	655	710	580	943	935	488
CJTSA-30/14-V	1845	1600	855	820	-	-	75	760	-	825	943	-	488

Characteristic curves

Q= Flow rate in m³/h, m³/s and cfm.

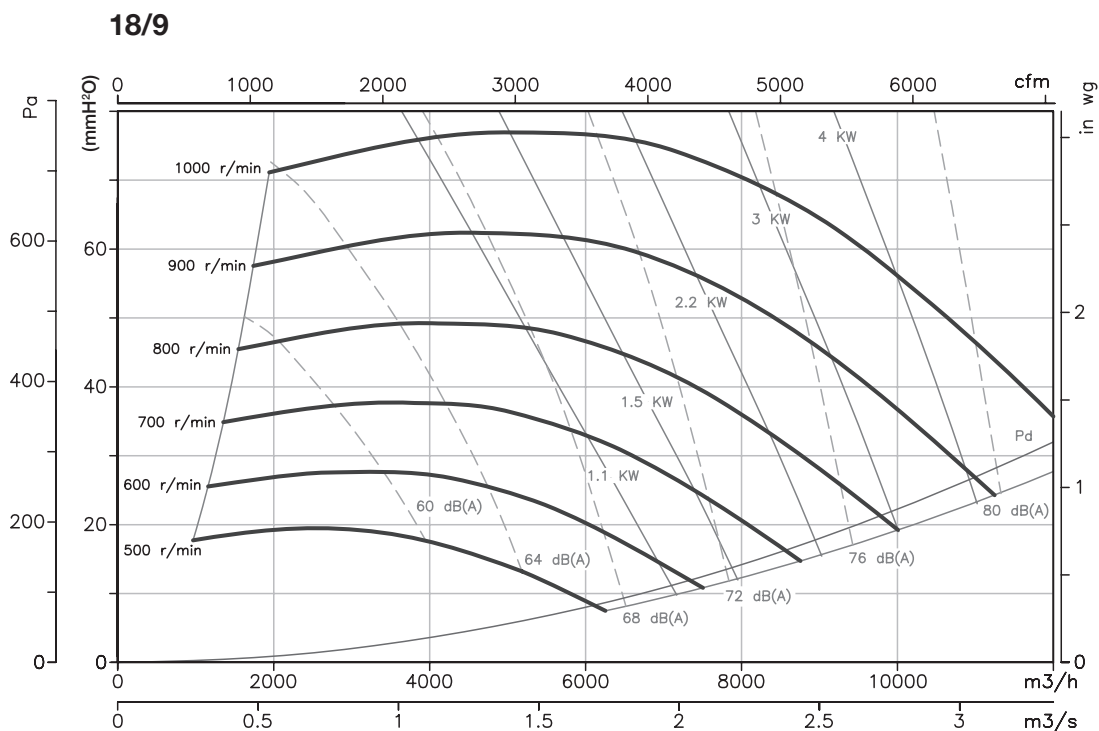
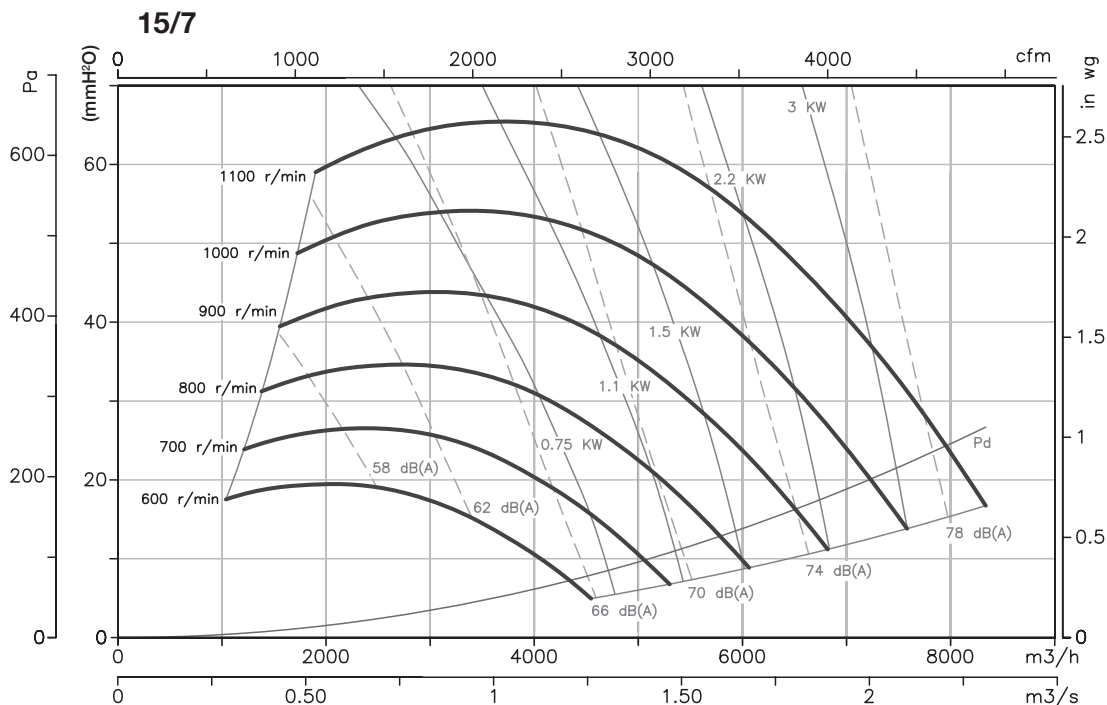
Pe= Static pressure in mm H₂O, Pa and inwg.



Characteristic curves

Q= Flow rate in m³/h, m³/s and cfm.

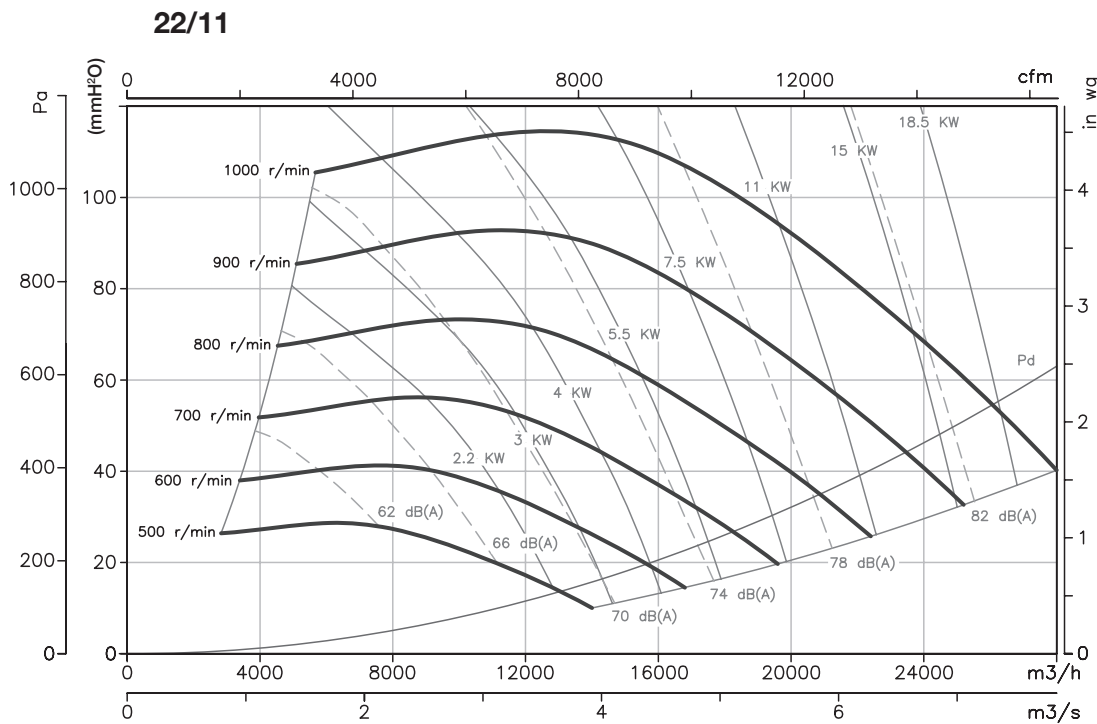
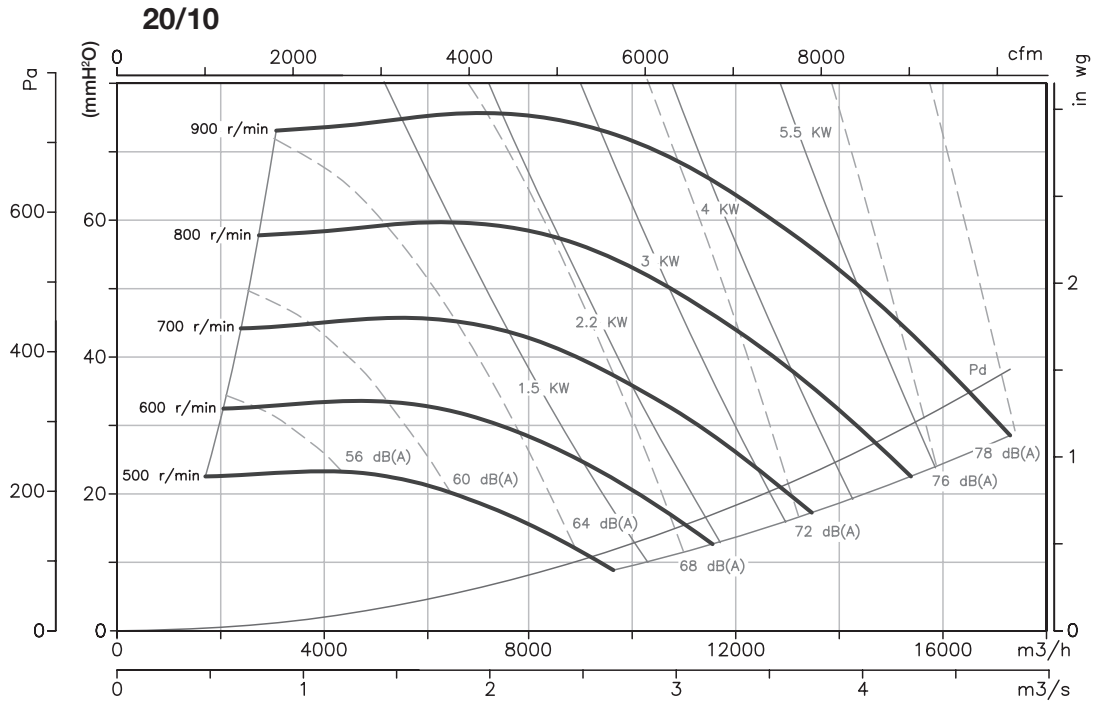
Pe= Static pressure in mm H²O, Pa and inwg.



Characteristic curves

Q= Flow rate in m³/h, m³/s and cfm.

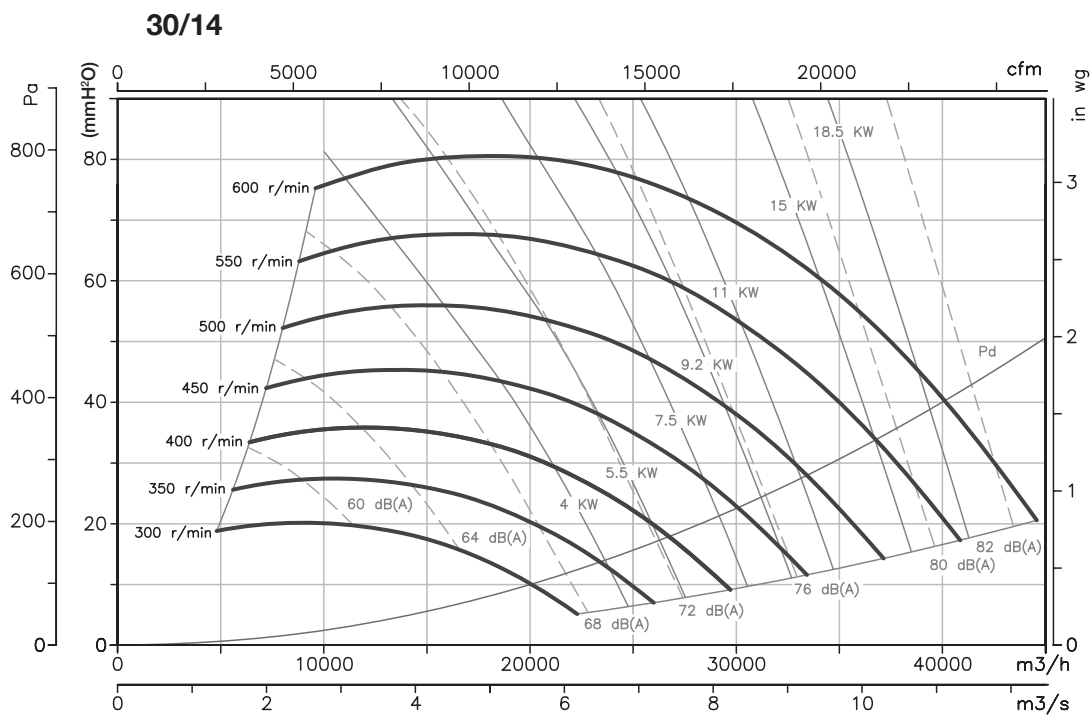
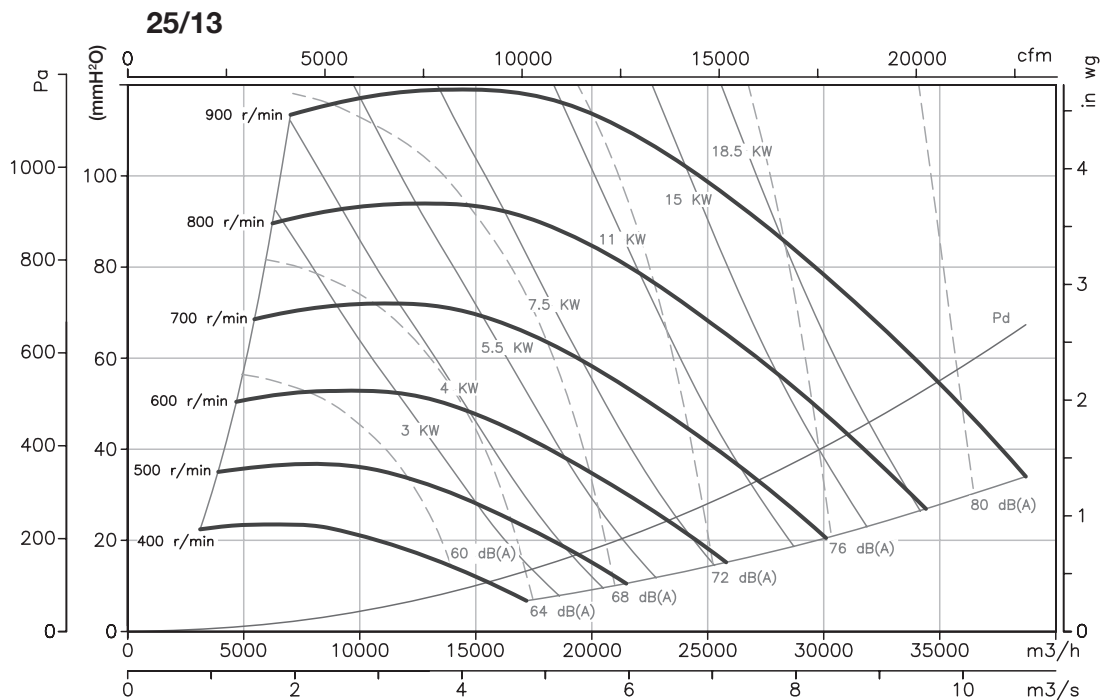
Pe= Static pressure in mm H₂O, Pa and inwg.



Characteristic curves

Q= Flow rate in m³/h, m³/s and cfm.

Pe= Static pressure in mm H²O, Pa and inwg.



Accessories

