

# WALL/FREE



## Dynamic wall mount extractor fans fitted with motorised hatch

Dynamic wall extractor fans with motorised opening system and protective grating for use without extract duct. Suitable for installation in industrial buildings, stores or in any other type of building.

Fan:

- Wall fixing flange for correct and easy installation.
- Support frame in galvanized sheet steel.
- Variable angle impeller made of cast aluminium.
- Airflow direction from motor to impeller.
- Protection grid against contacts according to UNE-EN ISO 12499.

Extruded aluminum hatch:

- An extremely robust structure that is able to withstand severe weather changes.
- Designed to ensure watertightness.
- Aluminum profile with thermal bridge break.
- Central ceiling and structure equipped with high performance thermal insulation.
- Thermal resistance of the assembly less than 0.89 W/m<sup>2</sup>·K.
- Limit switches in both positions (open and closed).
- Possibility of mounting in upper and lower opening.
- Manual opening system.

Motor:

- Class F motors with ball bearings. IP55 protection. Except single-phase models from size 45 to size 56, with IP54 protection. 1 or 2 speeds depending on model.
- IE3 efficiency motors.
- Three-phase 230/400 V 50 Hz (up to 4 kW) and 400/690 V 50 Hz (powers greater than 4 kW).
- Working temperature: -25 °C +50 °C.

Actuator:

- Reliability greater than 11,000 dual cycles.
- Supply voltage at 230 V AC 50/60 Hz.
- Working temperature: -25 °C +60 °C.

Flap finish:

- Anti-corrosive in extruded aluminum.
- RAL 7016 supplied as standard. Any other RAL can be supplied on demand.

On request:

- AA: impeller-motor air direction for air entry to premises.

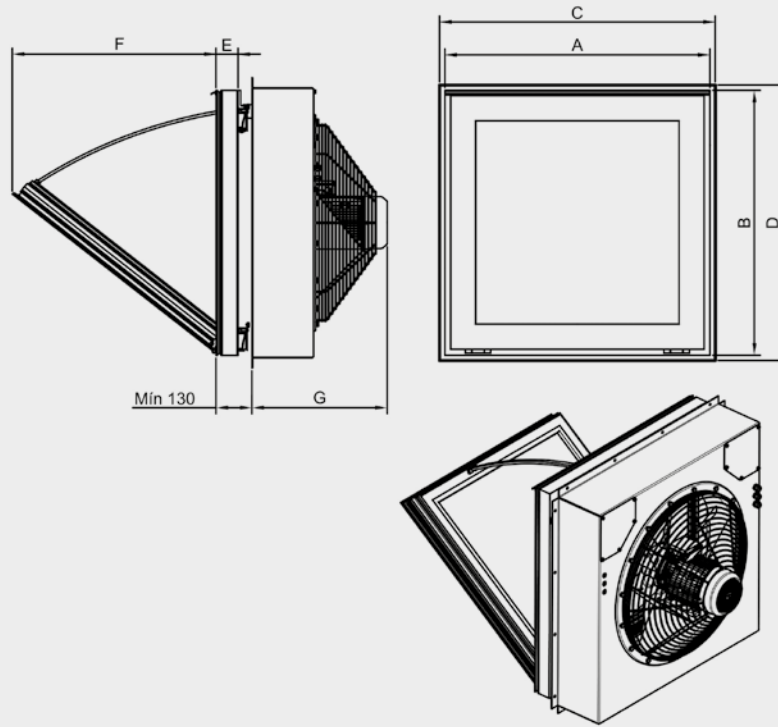


Model	Speed (r/min)	Maximum admissible current (A)			Installed power (kW)	Blade tilt angle (°)	Maximum flow rate (m <sup>3</sup> /h)	Sound pressure level <sup>1</sup> dB (A)	Ap-prox. weight (Kg)	According ErP*
		230V	400V	690V						
WALL/FREE-40-2T-1.5 IE3	2880	3.93	2.26		1.10	20	7040	68	55	2020
WALL/FREE-45-2T-2 IE3	2880	4.91	2.84		1.50	16	9400	68	63	2020
WALL/FREE-45-2T-3 IE3	2840	7.14	4.13		2.20	22	11325	68	67	2020
WALL/FREE-56-4T-2 IE3	1440	5.89	3.38		1.50	36	15020	61	69	2020
WALL/FREE-63-4T-3 IE3	1425	7.86	4.52		2.20	32	22170	65	97	2020
WALL/FREE-63-4T-4 IE3	1430	11.01	6.33		3.00	38	24240	66	103	2020
WALL/FREE-71-4T-3 IE3	1425	7.86	4.52		2.20	22	25100	67	100	2020
WALL/FREE-71-4T-4 IE3	1430	11.01	6.33		3.00	28	27480	67	106	2020
WALL/FREE-71-6T-1.5 IE3	945	4.73	2.72		1.10	34	19930	58	98	2020
WALL/FREE-80-4T-3 IE3	1425	7.86	4.52		2.20	12	25460	72	114	2020
WALL/FREE-80-4T-4 IE3	1430	11.01	6.33		3.00	16	30270	71	120	2020
WALL/FREE-80-4T-5.5 IE3	1440		7.95	4.61	4.00	18	32770	70	122	2020
WALL/FREE-80-6T-1.5 IE3	945	4.73	2.72		1.10	18	21470	60	112	2020
WALL/FREE-80-6T-2 IE3	945	6.25	3.62		1.50	26	25970	61	116	2020
WALL/FREE-90-4T-7.5 IE3	1460		10.40	6.04	5.50	18	46140	74	183	2020
WALL/FREE-90-4T-10 IE3	1460		14.20	8.17	7.50	22	50140	73	187	2020
WALL/FREE-90-6T-3 IE3	950	9.78	5.62		2.20	24	34000	63	145	2020
WALL/FREE-90-6T-4 IE3	970	12.80	6.36		3.00	30	38910	66	165	2020
WALL/FREE-100-4T-10 IE3	1460		14.20	8.17	7.50	16	57420	76	194	2020
WALL/FREE-100-4T-15 IE3	1460		20.70	11.99	11.00	22	66300	76	226	2020
WALL/FREE-100-4T-20 IE3	1460		27.80	16.03	15.00	28	76160	77	237	2020
WALL/FREE-100-6T-5.5 IE3	970		8.37	4.82	4.00	26	47780	67	178	2020

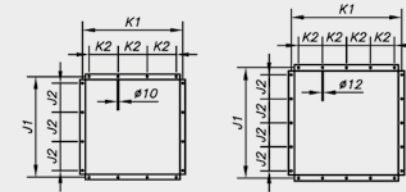
<sup>1</sup> Irradiated sound pressure level in dB(A) at a distance of 3 m.

\* In accordance with the ErP 2020 draft

WALL/FREE



\*Wall-mounting flange



- WALL/FREE 40
- WALL/FREE 45
- WALL/FREE 56
- WALL/FREE 63
- WALL/FREE 71
- WALL/FREE 80

- WALL/FREE 90
- WALL/FREE 100

Model	A	B	C	D	E	F	G	J1	J2	K1	K2
WALL/FREE-40	640	590	650	600	82	430	375	700	200	700	200
WALL/FREE-45	640	590	650	600	82	430	400	700	200	700	200
WALL/FREE-56	690	690	700	700	82	560	415	790	220	790	220
WALL/FREE-63	990	990	1000	1000	82	760	475	1050	300	1050	300
WALL/FREE-71	990	990	1000	1000	82	760	500	1050	300	1050	300
WALL/FREE-80	990	990	1000	1000	82	760	500	1050	300	1050	300
WALL/FREE-90	1190	1190	1200	1200	82	790	525	1250	250	1250	250
WALL/FREE-100	1190	1190	1200	1200	82	790	550	1250	250	1250	250

(C x D) Nominal size of the wall opening.