

CMA/EC

Single inlet medium pressure centrifugal fans, casing and impeller in cast aluminum, and EC Technology IE5 motor



EC TECHNOLOGY MOTOR with integrated electronics



EC CONTROL Supplied as an optional accessory

Medium pressure centrifugal fans, single inlet with casing and impeller in cast aluminum, with EC Technology IE5 motor with integrated electronics, specially designed for high energy efficiency.

Fan:

- Cast aluminium casing.
- Cast aluminium impeller.
- Maximum temperature of air to be carried: -25 °C +120 °C.
- Possibility of different outlet positions.

Motor:

- High efficiency EC Technology motors with integrated electronics, regulated by 0-10 V or 4-20 mA.
- IE5 efficiency motors, class F and IP55 protection.
- Single-phase 230 V 50/60 Hz.
- Working temperature: -25 °C +60 °C.

EC CONTROL: Supplied as an optional accessory. Control panel for ventilation systems with EC Technology motors with the electronics integrated in the motor itself. With the following characteristics:

- CPC: Constant pressure control.
- CFC: Constant flow control.
- DAY / NIGHT: Double pressure setpoint adjustment according to time of day.
- External sensor: compatible with temperature, humidity, air quality or CO sensor.
- Equipment preconfigured in constant pressure mode with 100 Pa set point.

Finish:

- Anti-corrosive finish in polyester resin, polymerised at 190 °C, after degreasing with phosphate-free nanotechnology treatment.

Order code

CMA/EC – 426 – 2M – 0.5 – IE5

CMA/EC: Single inlet medium pressure centrifugal fans, casing and impeller in cast aluminum, and EC Technology IE5 motor

Impeller size

Number of motor poles
2=2900 r/min 50 Hz

M = Single-phase

Motor power (HP)

IE5 motor

Technical characteristics

Model	Speed	Maximum admissible current (A) 230V	Max. electric power (kW)	Maximum flow rate (m³/h)	Sound pressure level dB (A)	Approx. weight (Kg)	According ErP*
	(r/min)						
CMA/EC-426-2M-0.5 IE5	2780	3.3	0.37	850	75	13	2020
CMA/EC-527-2M-0.75 IE5	2810	4.8	0.55	1000	80	15	2020
CMA/EC-528-2M-1 IE5	2810	5.9	0.75	1250	82	24	2020
CMA/EC-531-2M-1.5 IE5	2820	8.7	1.10	1790	84	29	2020

* In accordance with the ErP 2020 draft



Erp. (Energy Related Products)

Information on Directive 2009/125/EC can be downloaded from the SODECA website or the QuickFan selector programme.

Acoustic characteristics

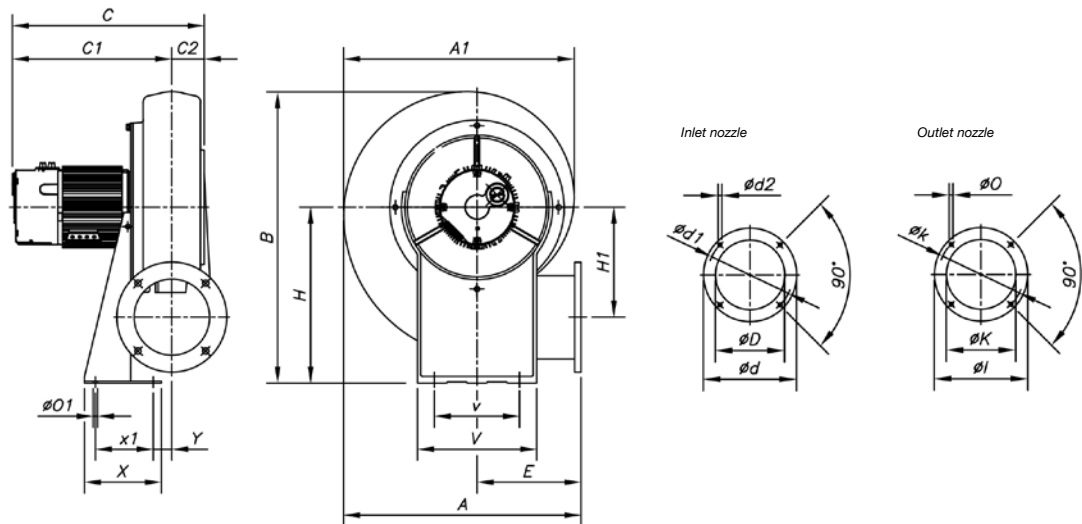
The indicated values are determined by measuring the sound pressure level and sound power in dB(A) obtained in a free field at a distance equivalent to twice the size of the fan plus the impeller diameter, with a minimum of 1.5 m.

Sound power spectrum Lw(A) in dB(A) per Hz frequency band

	63	125	250	500	1000	2000	4000	8000
CMA/EC-426-2M-0.5	41	55	73	79	83	80	75	66
CMA/EC-527-2M-0.75	46	60	78	84	88	85	80	71
CMA/EC-528-2M-1	48	62	80	86	90	87	82	73
CMA/EC-531-2M-1.5	51	65	83	89	93	90	85	76

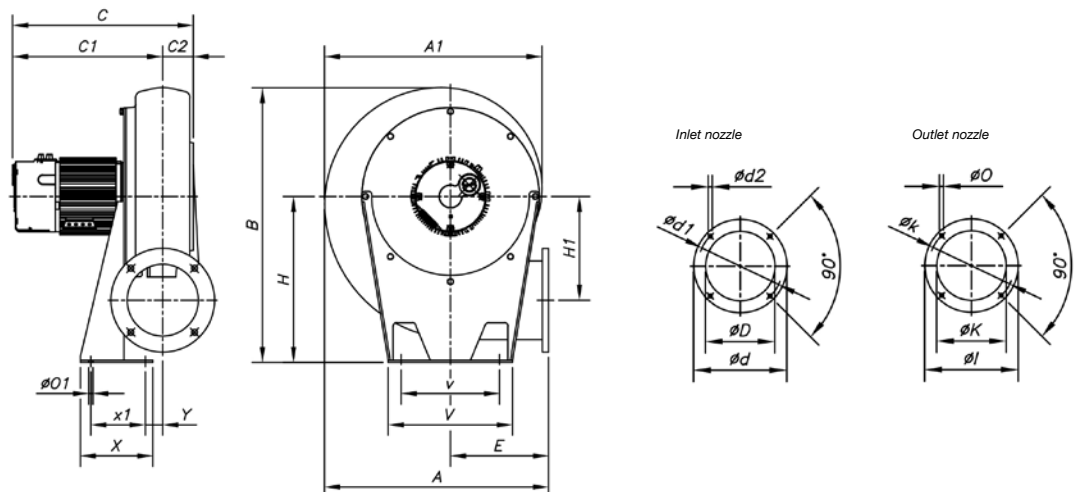
Dimensions mm

CMA/EC-426 ... 528



	A	A1	B	C	C1	C2	ØD	Ød	Ød1	Ød2	E	H	H1	Øl	ØK	Øk	ØO	ØO1	V	v	X	X1	Y
CMA/EC-426-2M	354	344	412	299	259	40	117	155	132	M6	162	240	163	140	90	119	7	13	210	160	105	65	26
CMA/EC-527-2M	371	361	440	319	277	42	125	170	147	M6	168	260	170	155	100	129	7	13	220	170	120	80	20
CMA/EC-528-2M	401	395	488	357	306	51	116	190	162	M6	178	290	177	190	130	160	11	13	230	180	140	100	20

CMA/EC-531

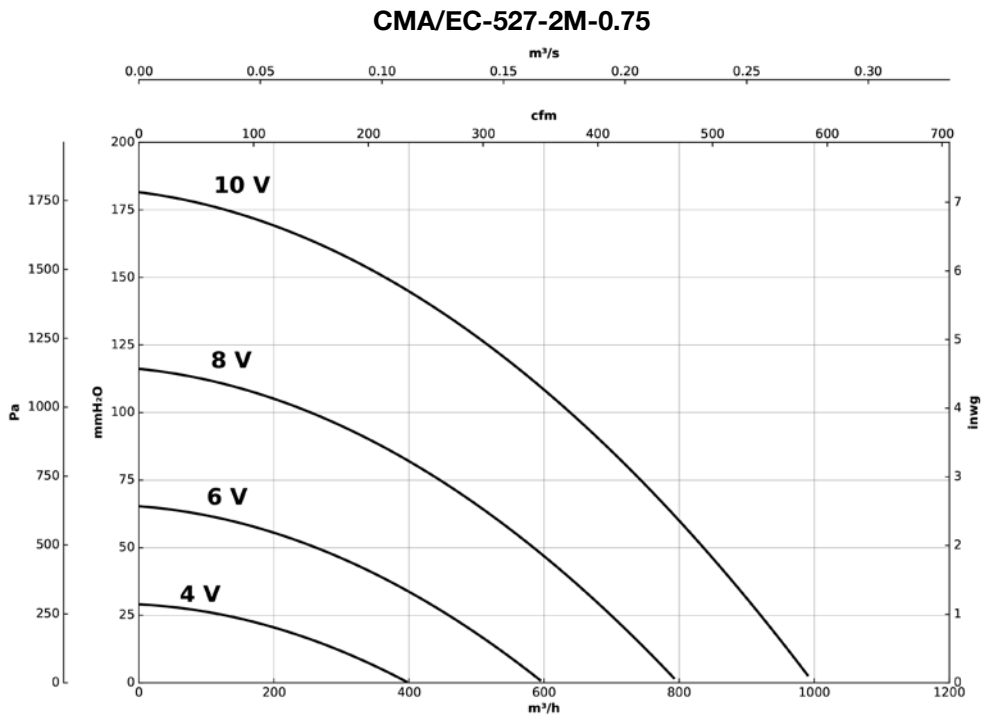
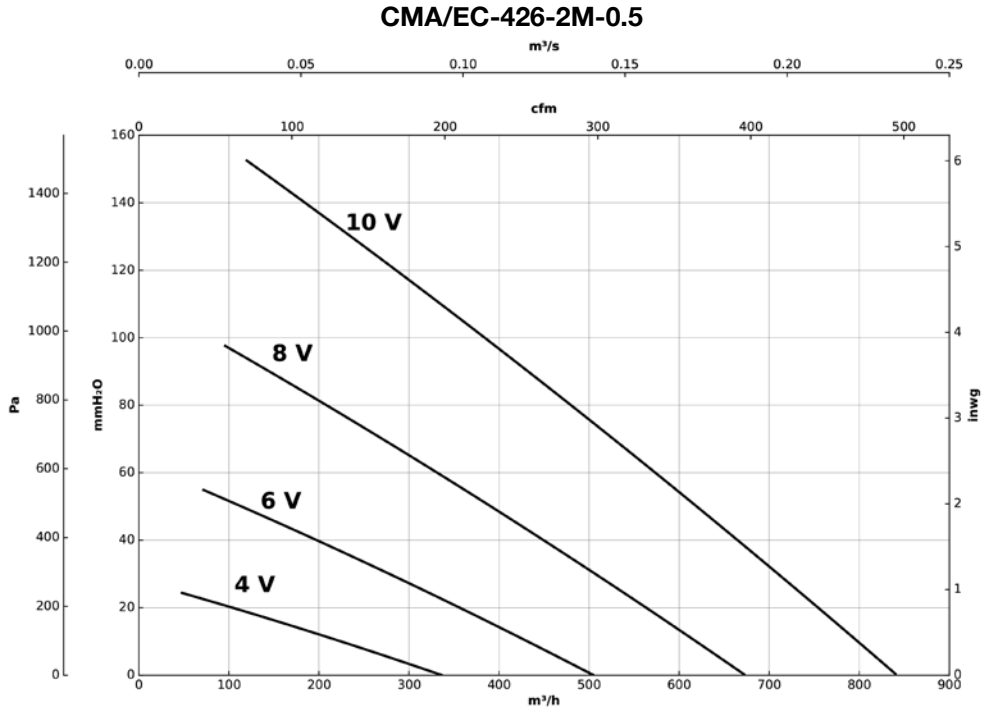


	A	A1	B	C	C1	C2	ØD	Ød	Ød1	Ød2	E	H	H1	Øl	ØK	Øk	ØO	ØO1	V	v	X	X1	Y
CMA/EC-531-2M	440	434	537	358	303	55	160	215	180	M6	193	320	200	200	140	175	11	13	226	190	160	120	21

Characteristic curves

Q= Flow rate in m³/h, m³/s and cfm

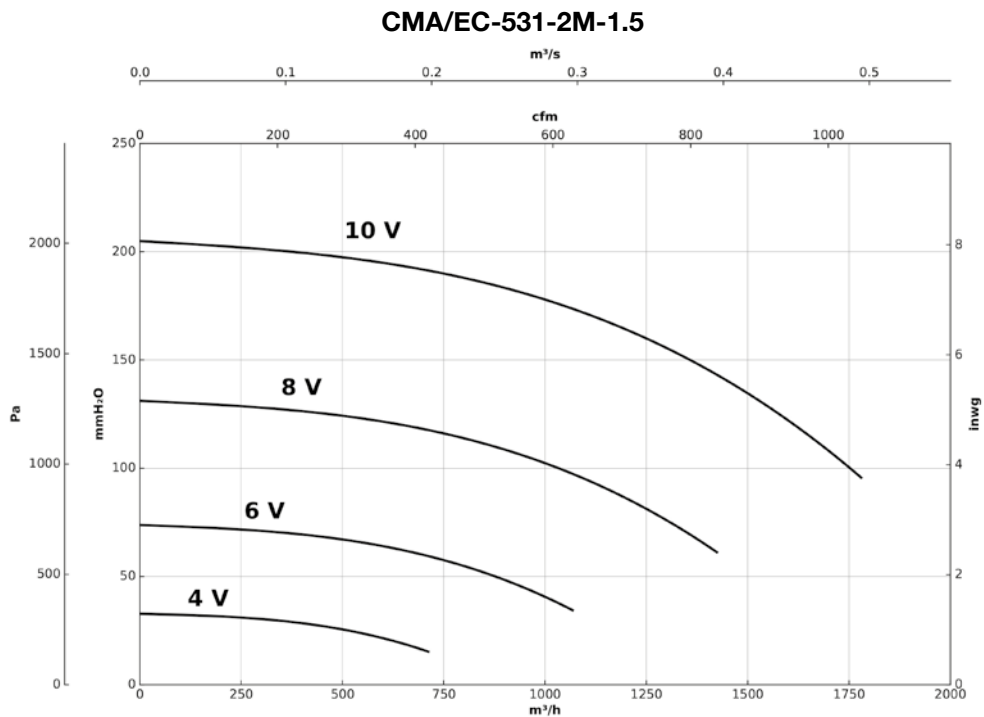
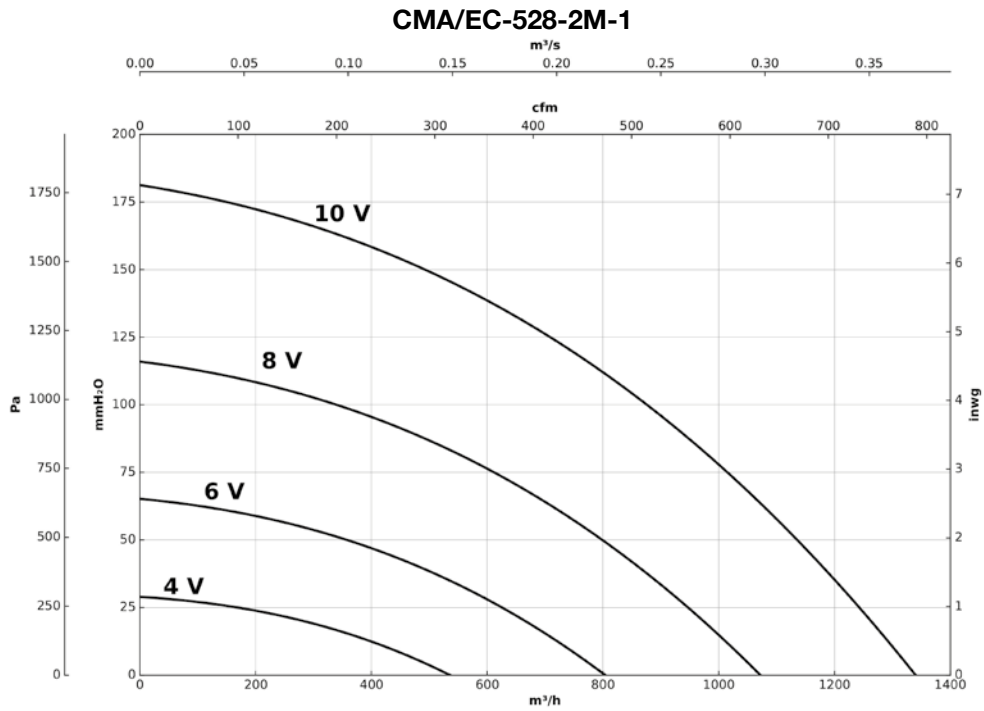
Pe= Static pressure in mm H₂O, Pa and inwg



Characteristic curves

Q= Flow rate in m³/h, m³/s and cfm

Pe= Static pressure in mm H₂O, Pa and inwg



Accessories

