

SDECB/O

Centrifugal fans built in INOX, specially designed for the extraction of hot air max. 80 °C and water vapors in extraction hoods, with horizontal air outlet

Specially designed for bakery and pastry ovens and surface treatment ovens



- Fan:
- Sheet steel casing.
 - Forward curved impeller in sheet steel.
 - Directly coupled motor with B-5 flange.

- Motor:
- Motors with IE3 efficiency for powers equal to or greater than 0.75kW, except single-phase, 2-speed and 8-pole.
 - IP55 protection.
 - Three-phase 230/400 V 50 Hz (up to 4 kW) and 400/690 V 50 Hz (powers greater than 4 kW).
 - Maximum temperature of air to be carried: -25 °C +80 °C.

- Finishing:
- Anticorrosive with temperature resistant antialcaldic paint, aluminum color.

- On request:
- Special windings for different voltages.
 - INOX 304 stainless steel fan.



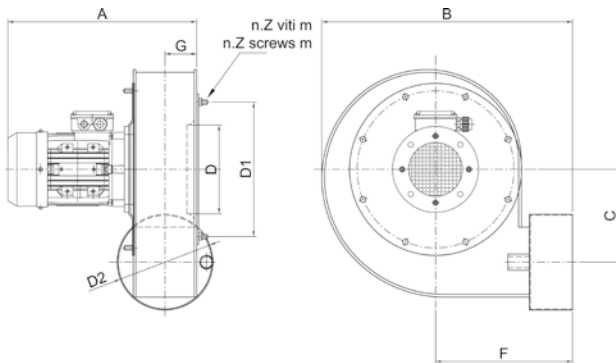
Upon request: fan support flange

Characteristics

MOD.	kW	r.p.m	dB/A	CAPACITY (m³/s)										
				0.23	0.27	0.3	0.33	0.38	0.42	0.47	0.53	0.58	0.67	
				TOTAL PRESSURE (mm H ₂ O)										
SDECB/O-250-4T-0.5	0.37	1350	60	40	42	43	44	45	45	40	35			
SDECB/O-300-4T-0.5	0.37	1350	65			47	49	50	50	51	50	48	43	

Flow margin +5%
Noise level margin +3...5 db

Dimensions mm

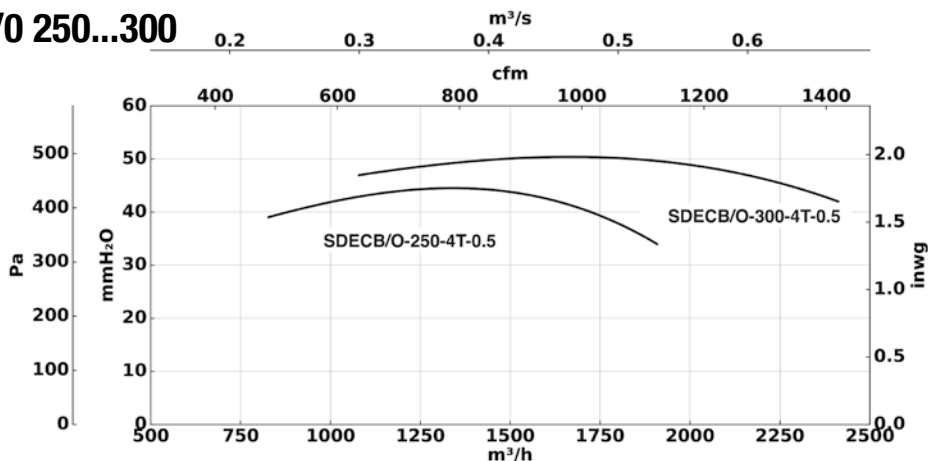


MOD.	kW	r.p.m	A	B	C	F	G
SDECB/O-250-4T-0.5	0.37	1350	352	466	173	255	60
SDECB/O-300-4T-0.5	0.37	1350	402	575	202	322	83

MOD.	D	D1	m	n.Z	D2	Kg
SDECB/O-250-4T-0.5	165	250	M8	6	178	16
SDECB/O-300-4T-0.5	190	250	M8	6	241	18

Characteristic curves

SDECB/O 250...300



Total pressure

Flow margin ± 5 %

Noise level margin +3...5 db

Margen kW absorbidos ± 3%