

NEOLINEO/V

In-line duct extractor fans with a detachable body and small size and durable ball bearings



Fan:

- Casing made of self-extinguishing V0 plastic material
- External terminal box with variable position
- Easy, rapid installation

Motor:

- 2-speed, adjustable motors with durable ball bearings and IPX4 protection
- Single-phase 110/120V. 60Hz or 220V 60Hz
- Operating temperature -10 °C + 60 °C

Finish:

- Made of V0 white, plastic, self-extinguishing material

Order code

NEOLINEO/V	—	100	—	(Q)	—	(T)	—	1	—	60HZ
↓		↓		↓		↓		↓		
NEOLINEO/V: In-line duct extractor fans with a detachable body		Nozzle diameter in mm		Q reference, low flow rate level		Reference T, with a built-in timer		1: 110V 60Hz power supply 2: 220V 60Hz power supply		

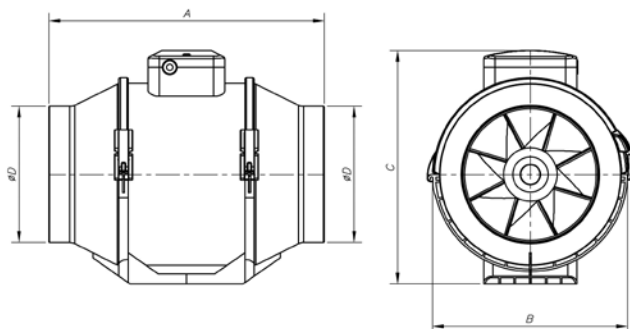
Technical characteristics

60Hz

Model	Speed (r/min) min/max	Maximum admissible current (A) min/max	Max. electric power (kW) min/max	Max. flow rate (m ³ /h) min/max	Irradiated sound level* dB(A) min/max	Approx. weight (kg)
NEOLINEO 100/V	2180 / 2385	0,11 / 0,21	0,021 / 0,033	145 / 187	26 / 30	1,5
NEOLINEO 125/V	1950 / 2455	0,18 / 0,27	0,023 / 0,037	220 / 280	28 / 35	1,4
NEOLINEO 150/V	1680 / 2460	0,17 / 0,27	0,030 / 0,060	405 / 520	30 / 35	2,7
NEOLINEO 160/V	1680 / 2460	0,17 / 0,27	0,030 / 0,060	405 / 520	30 / 35	2,7
NEOLINEO 200/V	1915 / 2380	0,34 / 0,48	0,076 / 0,108	830 / 1040	32 / 38	4,0
NEOLINEO 250/V	1955 / 2440	0,54 / 0,79	0,125 / 0,177	1110 / 1400	45 / 55	7,8
NEOLINEO 315/V	1890 / 2430	1,00 / 1,42	0,230 / 0,320	1570 / 2050	49 / 58	11,9

*Irradiated sound pressure levels obtained at a distance of 3 metres in a free field, with rigid intake/discharge tubes.

Dimensions mm



Model	A	B	C	øD
NEOLINEO 100/V	246	126	190	96
NEOLINEO 125/V	246	126	190	123
NEOLINEO 150/V	295	185	250	148
NEOLINEO 160/V	295	185	250	158
NEOLINEO 200/V	296	209	261	197
NEOLINEO 250/V	383	256	320	247
NEOLINEO 315/V	445	323	408	310

Characteristic curves

Q= Flow rate in m³/h

Pe= Static pressure in Pa

