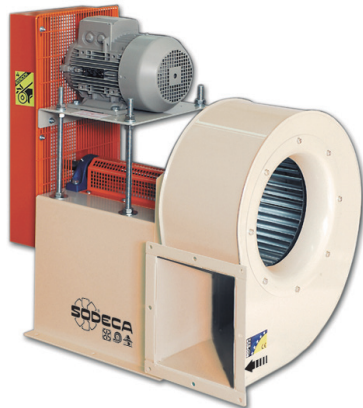


CMP-X



Belt-driven fans fitted with electric motors, a standardised set of pulleys, belts and protectors in accordance with standard ISO-13857.



Fan:

- Sheet steel casing.
- Forward-curved impeller made of galvanised sheet steel.
- Version A: motor assembled on the casing.
- Version B: motor assembled on the general bench.

Motor:

- IE3 efficiency motors for powers equal to or greater than 0.75 kW except single-phase, 2-speed and 8-pole.
- Class F motors with ball bearings and IP55 protection.
- Three-phase 230/400 V - 50 Hz (up to 4 kW) and 400/690 V - 50 Hz (powers higher than 4 kW).
- Maximum temperature of air to be carried: -20 °C +150 °C.

Finish:

- Anti-corrosive finish of polyester resin polymerised at 190 °C, previously degreased with phosphate-free nanotechnological treatment.

On request:

- Special windings for different voltages.
- Fan prepared for air transmission of up to 250 °C.
- Stainless steel fan.
- ATEX-certified Category 2.
- Straight blade impellers.



Shaft protections and transmission compliant with standards.

Order code

CMP — 1640 — X — 10 — A

CMP-X: Belt-driven fans fitted with electric motors and a standardised set of pulleys, belts and protectors in accordance with standard ISO-13857

Impeller size

Belt-driven

Motor power (HP)

Mounting type

A: Motor assembled on the casing.
B: Motor assembled on the general bench.

Technical characteristics

Model	Speed (r/min)	Maximum admissible current (A)			Installed power (kW)	Maximum flow rate (m³/h)	Maximum pressure (mm H2O)	Approx. weight (kg)	Mounting version	According to ErP
		230 V	400 V	690 V						
CMP-922-X-1 IE3	1600	2.82	1.62		0.75	2050	55	34	A	2015
CMP-922-X-1.5 IE3	1800	4.07	2.34		1.10	2300	65	42	A	2015
CMP-922-X-3 IE3	2270	7.93	4.56		2.20	2900	105	50	A	2015
CMP-922-X-4 IE3	2570	10.70	6.15		3.00	3300	135	57	A	2015
CMP-1025-X-2 IE3	1550	5.41	3.11		1.50	3000	60	56	A	2015
CMP-1025-X-3 IE3	1770	7.93	4.56		2.20	3400	80	57	A	2015
CMP-1025-X-4 IE3	1980	10.70	6.15		3.00	3800	100	64	A	2015
CMP-1128-X-2 IE3	1290	5.41	3.11		1.50	3550	55	61	A	2015
CMP-1128-X-3 IE3	1470	7.93	4.56		2.20	4050	75	62	A	2015
CMP-1128-X-4 IE3	1650	10.70	6.15		3.00	4550	95	69	A	2015
CMP-1128-X-5.5 IE3	1820	13.90	8.00		4.00	5000	115	78	A	2015
CMP-1128-X-7.5 IE3	2020		10.30	5.97	5.50	5550	140	113	B	2015
CMP-1231-X-4 IE3	1280	10.70	6.15		3.00	5050	60	74	A	2015
CMP-1231-X-5.5 IE3	1410	13.90	8.00		4.00	5600	70	83	A	2015
CMP-1435-X-3 IE3	1100	7.93	4.56		2.20	4850	70	74	A	2015
CMP-1435-X-4 IE3	1220	10.70	6.15		3.00	5350	90	81	A	2015
CMP-1435-X-5.5 IE3	1350	13.90	8.00		4.00	5850	110	90	A	2015
CMP-1435-X-7.5 IE3	1500		10.30	5.97	5.50	6500	135	125	A	2015

Technical characteristics

Model	Speed (r/min)	Maximum admissible current (A)			Installed power (kW)	Maximum flow rate (m ³ /h)	Maximum pressure (mm H ₂ O)	Approx. weight (kg)	Mounting version	According to ErP
		230 V	400 V	690 V						
CMP-1435-X-10 IE3	1670		13.90	8.06	7.50	7250	170	125	A	2015
CMP-1640-X-4 IE3	1000	10.70	6.15		3.00	6650	65	99	A	2015
CMP-1640-X-5.5 IE3	1100	13.90	8.00		4.00	7350	80	108	A	2015
CMP-1640-X-7.5 IE3	1230		10.30	5.97	5.50	8200	100	143	A	2015
CMP-1640-X-10 IE3	1350		13.90	8.06	7.50	9000	120	143	A	2015
CMP-1845-X-5.5 IE3	1020	13.90	8.00		4.00	7250	115	118	A	2015
CMP-1845-X-7.5 IE3	1130		10.30	5.97	5.50	8000	140	153	A	2015
CMP-1845-X-10 IE3	1260		13.90	8.06	7.50	8950	170	153	A	2015
CMP-1845-X-15 IE3	1430		20.90	12.10	11.00	10150	220	200	B	2015
CMP-1845-X-20 IE3	1620		27.90	16.20	15.00	11500	285	208	B	2015
CMP-2050-X-7.5 IE3	900		10.30	5.97	5.50	11700	105	173	A	2015
CMP-2050-X-10 IE3	1000		13.90	8.06	7.50	13000	130	173	A	2015
CMP-2050-X-15 IE3	1130		20.90	12.10	11.00	14700	165	220	A	2015
CMP-2050-X-20 IE3	1270		27.90	16.20	15.00	16550	210	228	A	2015
CMP-2563-X-7.5 IE3	650		10.30	5.97	5.50	14200	65	253	A	2015
CMP-2563-X-10 IE3	720		13.90	8.06	7.50	15750	80	253	A	2015
CMP-2563-X-15 IE3	820		20.90	12.10	11.00	17950	105	300	A	2015
CMP-2563-X-20 IE3	920		27.90	16.20	15.00	20100	135	308	A	2015
CMP-2563-X-25 IE3	990		35.10	20.30	18.50	21650	155	362	B	2015
CMP-2563-X-30 IE3	1040		41.00	23.80	22.00	22750	170	368	B	2015

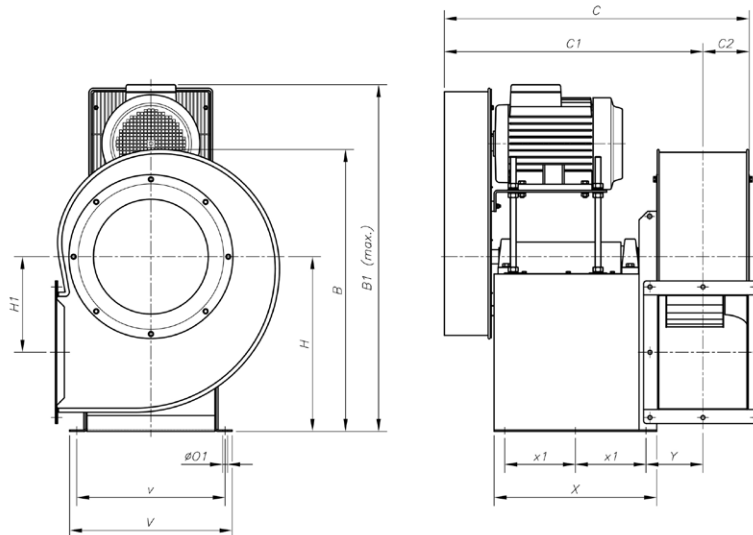


Erp. (Energy Related Products)

Information on Directive 2009/125/EC can be downloaded from the SODECA website or the QuickFan selector programme.

Dimensions mm

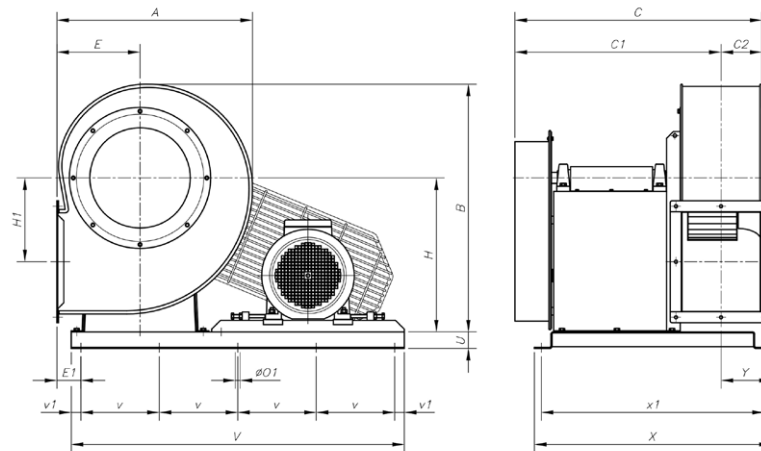
CMP-X-922...2563
Assembly A



	A	B	B1	C	C1	C2	E	H	H1	øO1	V	v	X	X1	Y
CMP-922-X	388.5	455	655	589	515.5	73.5	180	280	134	12	340	310	350	150	100
CMP-1025-X	427	503	690	614	528	86	197	310	144	12	340	310	350	150	112.5
CMP-1128-X	472	553	725	660	566.5	93.5	216	340	152	12	350	320	380	160	125
CMP-1231-X	526	630	775	680	576.5	103.5	238	390	179.5	12	380	350	380	160	135
CMP-1435-X	573.5	715	940	838	720	118	250	445	242.5	12	440	400	460	200	149
CMP-1640-X	634	799	990	862	732	130	270	495	271	12	460	420	460	200	161
CMP-1845-X	711	901	1055	896	749	147	302	560	305	12	500	460	460	200	178
CMP-2050-X	797	987	1215	1068	905.5	162.5	345	610	313	14	540	500	600	275	189.5
CMP-2563-X	1027	1213	1350	1165	954	211	460	742	378.5	14	590	540	600	275	238

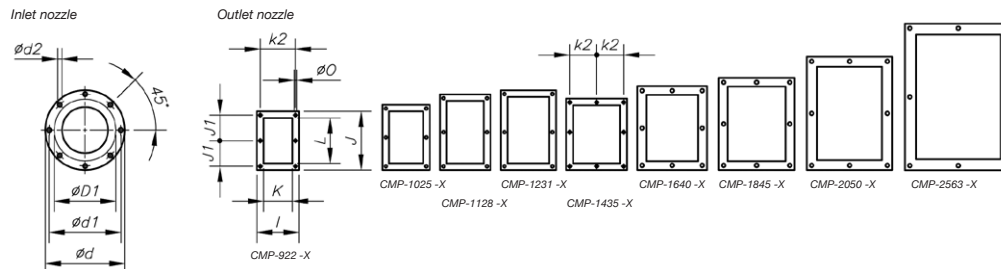
Dimensions mm

CMP-X-1128...2563 Assembly B



	A	B	C	C1	C2	E	E1	H	H1	øO1	U	V	v(*)	v1	X	X1	Y
CMP-1128-X	472	553	704	610.5	93.5	216	71	340	152	12	35	885	275	30	630	600	118
CMP-1231-X	526	630	724	620.5	103.5	238	118	390	179.5	12	35	980	280	70	660	630	138
CMP-1845-X	711	901	896	749	147	302	87	560	305	18	60	1210	285	35	860	810	182
CMP-2563-X	1027	1213	1165	954	211	460	195	742	378.5	18	60	1320	315	30	1200	1150	317

* Mod. 1128 - 1231 = 4 holes. Mod. 1458 - 2563 = 5 holes.



	øD1	ød	ød1	ød2	I	J	J1	K	k1	k2	L	øO
CMP-922-X	224	278	256	M8	204	282.5	128	140	-	180	215	9.5
CMP-1025-X	250	305	282	M8	229	312.5	145	165	-	205	250	9.5
CMP-1128-X	280	348	320	M8	244	364	170	180	-	220	296.5	9.5
CMP-1231-X	315	382	354	M8	264	382.5	180	200	-	240	320	11.5
CMP-1435-X	355	422	394	M8	292	342.5	159	228	133	-	280	11.5
CMP-1640-X	400	464	438	M8	336	404	185	250	150	-	321	11.5
CMP-1845-X	450	515	485	M8	370	444	202	284	164	-	361	11.5
CMP-2050-X	500	565	535	M10	411	544	250	315	182.5	-	451	11.5
CMP-2563-X	630	710	675	M12	512	706	330	410	230	-	600	17

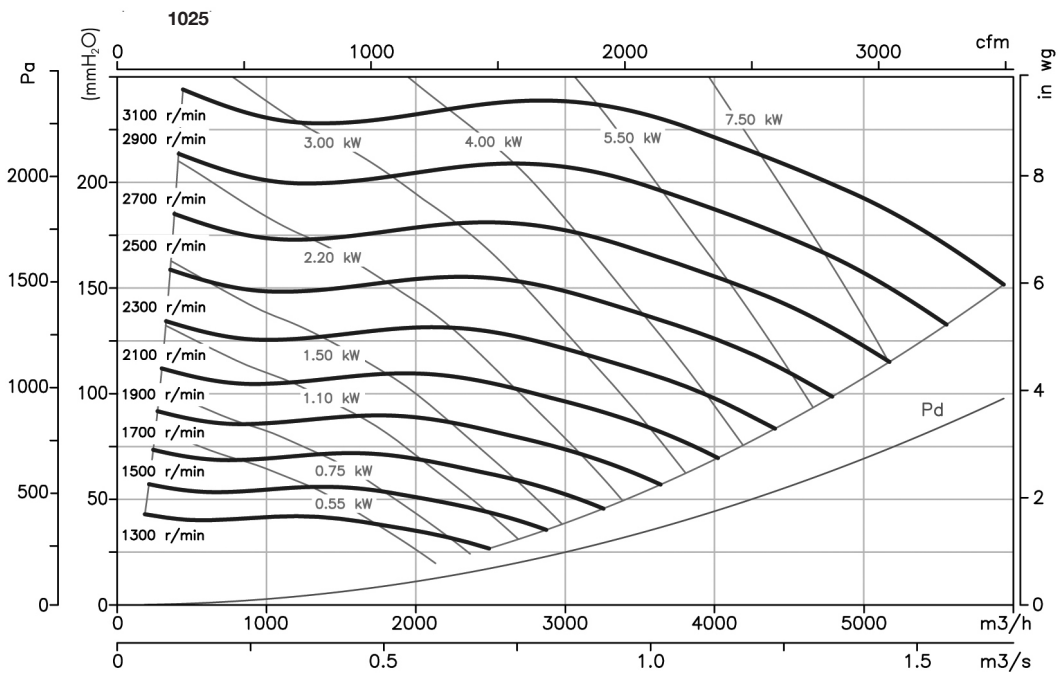
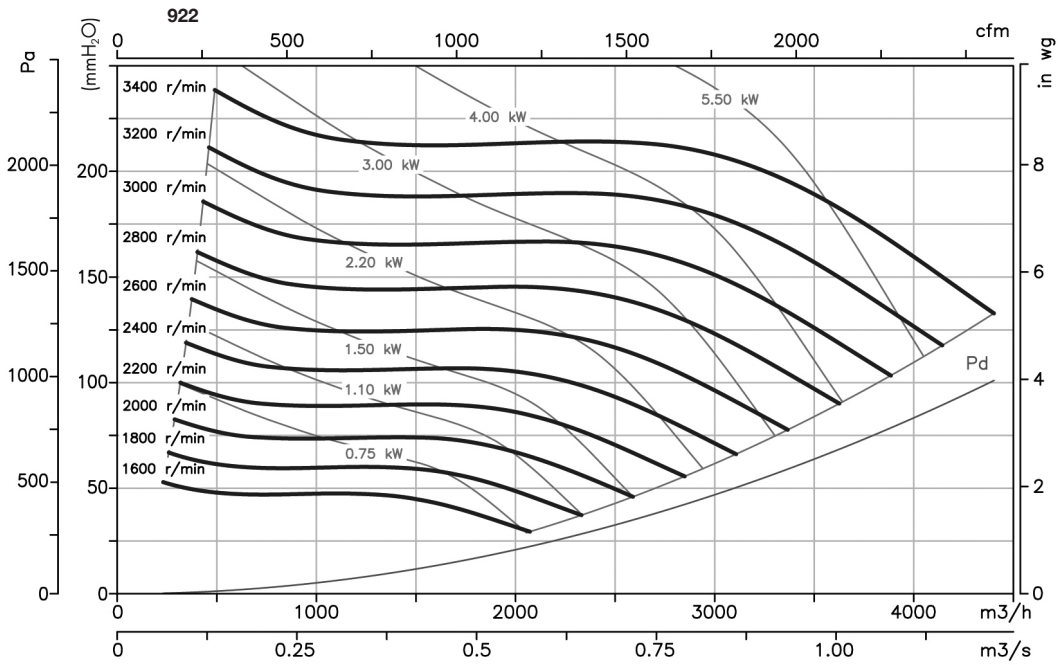
* Recommended nominal tube diameter

CENTRIFUGAL FANS AND IN-LINE DUCT EXTRACTOR FANS

Characteristic curves

Q= Flow rate in m³/h, m³/s and cfm

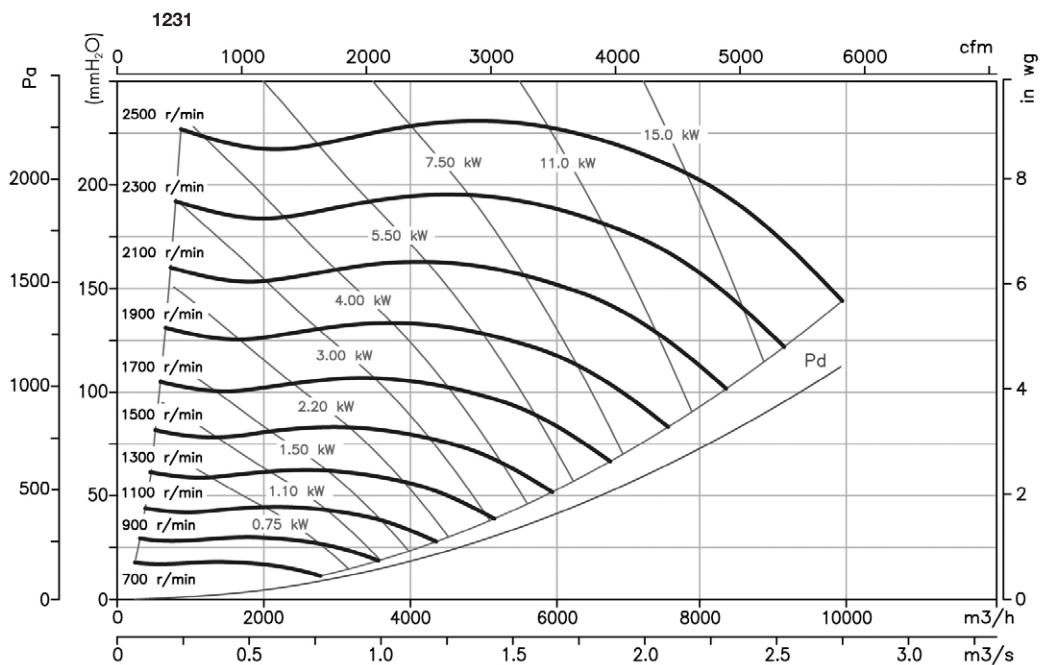
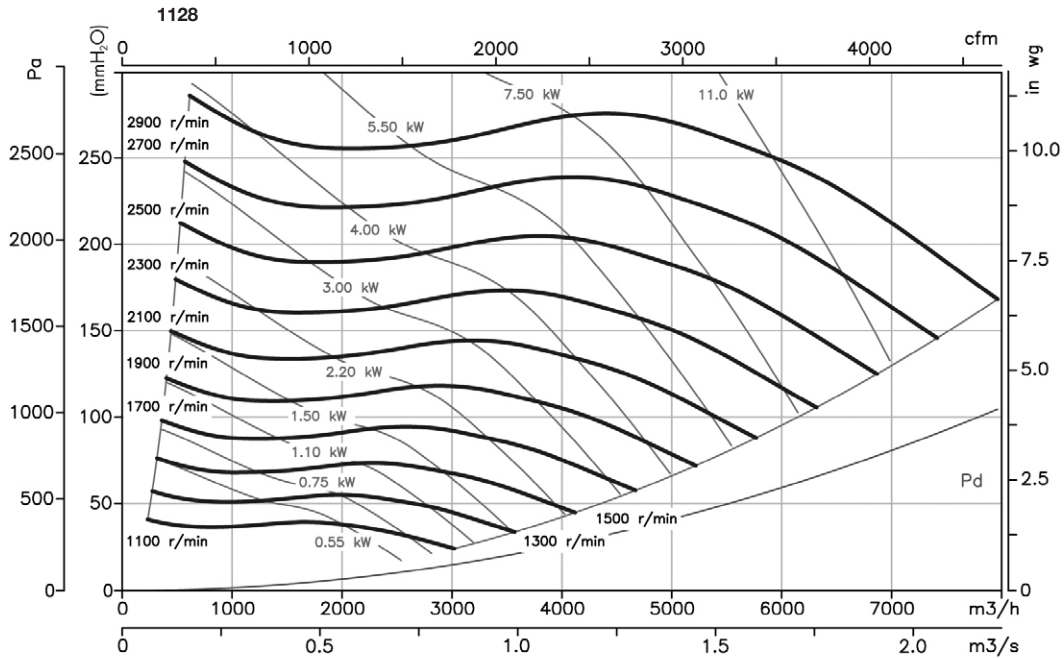
Pe= Static pressure in mm H₂O, Pa and inwg



Characteristic curves

Q= Flow rate in m³/h, m³/s and cfm

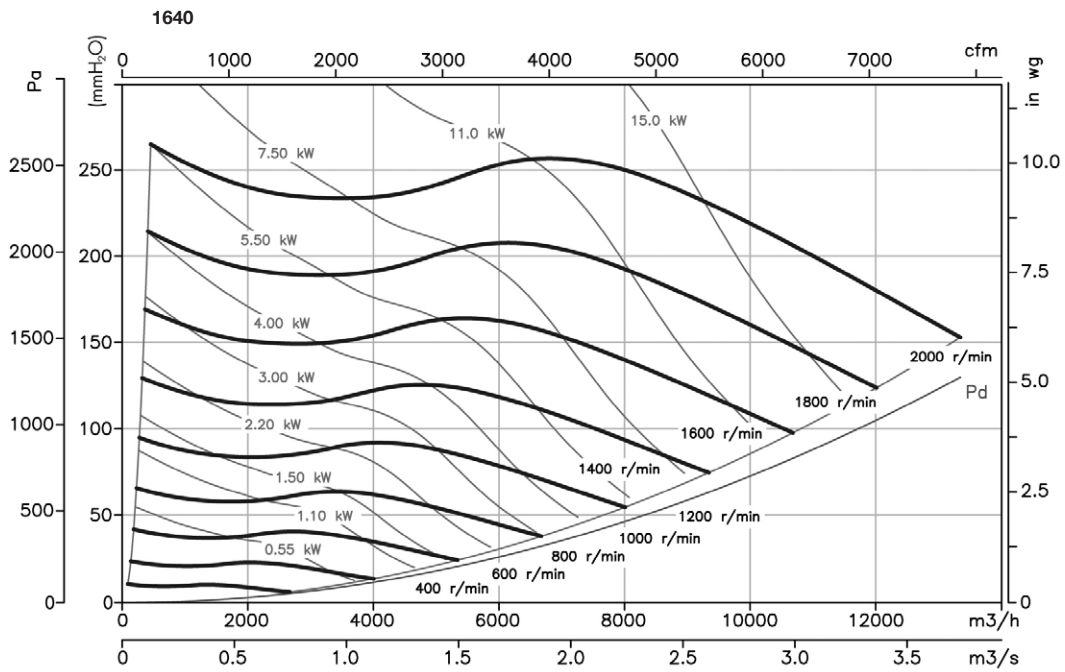
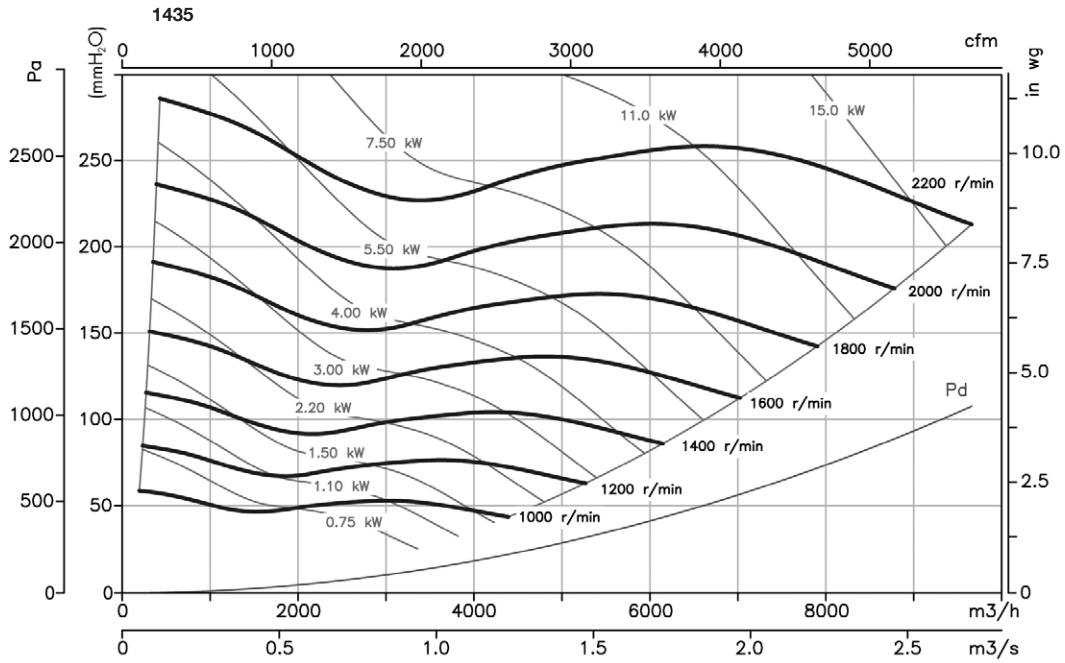
Pe= Static pressure in mm H₂O, Pa and inwg



Characteristic curves

Q= Flow rate in m³/h, m³/s and cfm

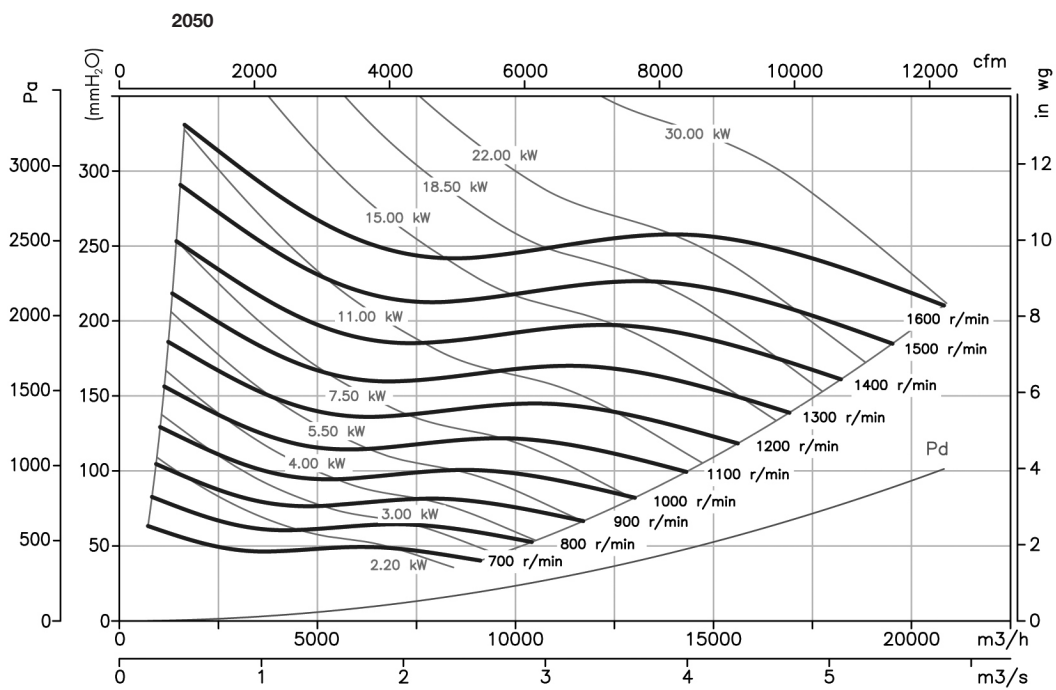
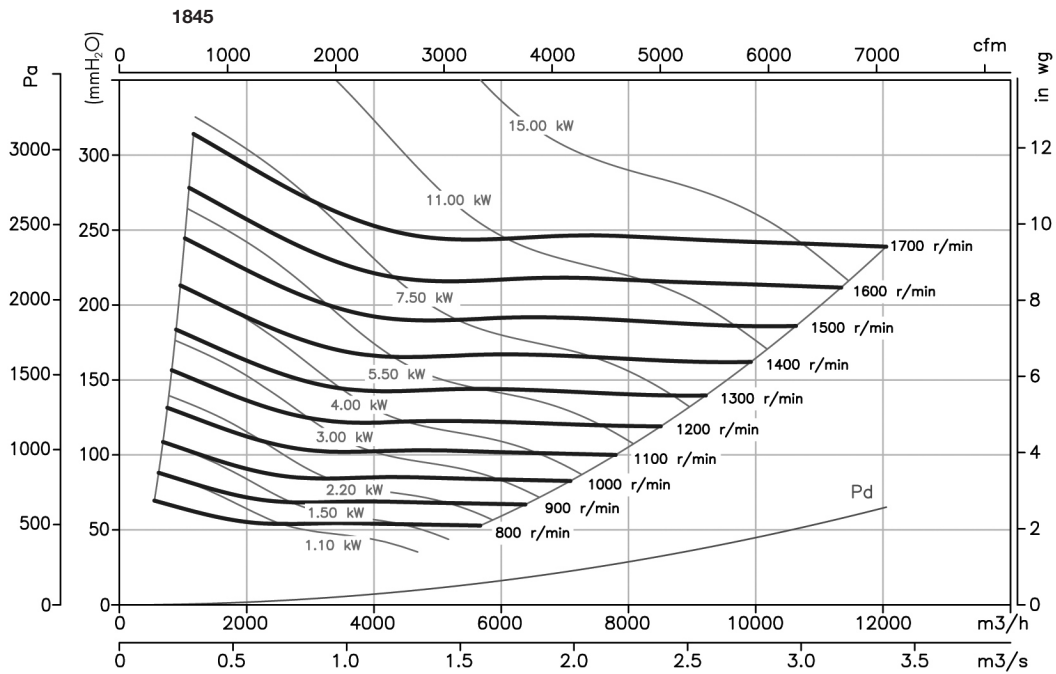
Pe= Static pressure in mm H₂O, Pa and inwg



Characteristic curves

Q= Flow rate in m³/h, m³/s and cfm

Pe= Static pressure in mm H₂O, Pa and inwg

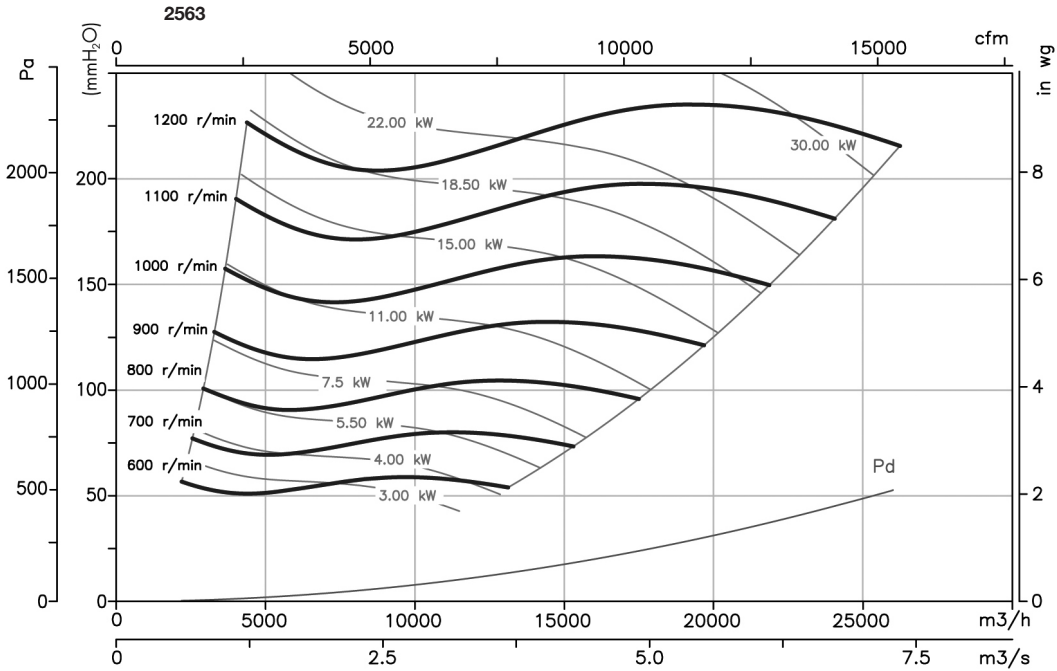


CENTRIFUGAL FANS AND IN-LINE DUCT EXTRACTOR FANS

Characteristic curves

Q= Flow rate in m³/h, m³/s and cfm

Pe= Static pressure in mm H₂O, Pa and inwg



Orientation

Standard supply LG 270



Accessories

See accessories section.

