

WALL/FREE



Dynamic wall mount extractor fans fitted with motorised hatch

Dynamic wall extractor fans with motorised opening system and protective grating for use without extract duct. Suitable for installation in industrial buildings, stores or in any other type of building.

Fan:

- Wall fixing flange for correct and easy installation.
- Support frame in galvanised sheet steel.
- Variable angle impeller made of cast aluminium.
- Airflow direction from motor to impeller.
- Protection grid against contacts according to UNE-EN ISO 12499.

Extruded aluminum hatch:

- An extremely robust structure that is able to withstand severe weather changes.
- Designed to ensure watertightness.
- Aluminum profile with thermal bridge break.
- Central ceiling and structure equipped with high performance thermal insulation.
- Thermal resistance of the assembly less than 0.89 W/m²·K.
- Limit switches in both positions (open and closed).
- Possibility of mounting in upper and lower opening.
- Manual opening system.

Motor:

- Class F motors with ball bearings. IP55 protection. Except single-phase models from size 45 to size 56, with IP54 protection. 1 or 2 speeds depending on model.
- IE3 efficiency motors.
- Three-phase 230/400 V 50 Hz (up to 4 kW) and 400/690 V 50 Hz (powers greater than 4 kW).
- Working temperature: -25 °C +50 °C.

Actuator:

- Reliability greater than 11,000 dual cycles.
- Supply voltage at 230 V AC 50/60 Hz.
- Working temperature: -25 °C +60 °C.

Flap finish:

- Anti-corrosive in extruded aluminum.
- RAL 7016 supplied as standard. Any other RAL can be supplied on demand.

On request:

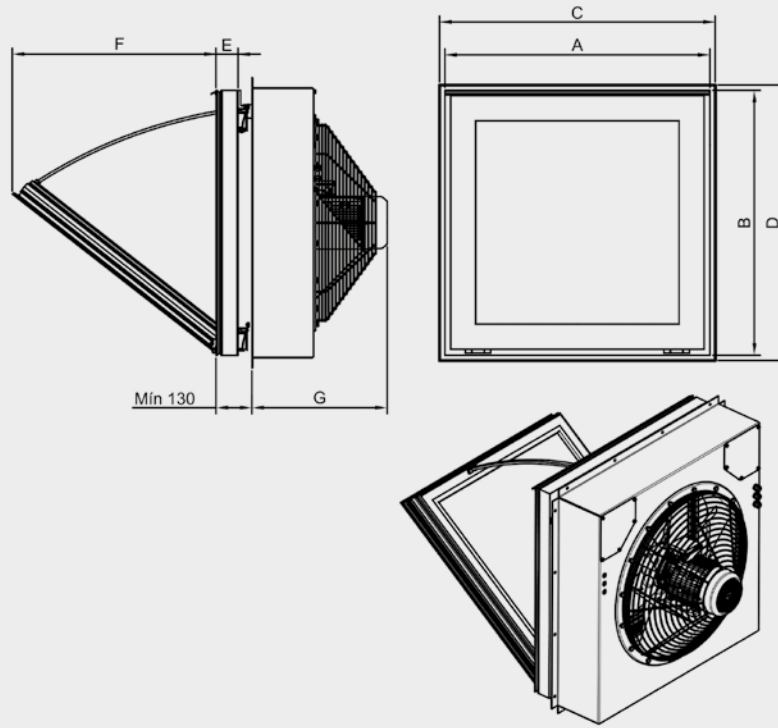
- AA: impeller-motor air direction for air entry to premises.

Model	Speed (r/min)	Maximum admissible current (A)			Installed power (kW)	Maximum flow rate (m ³ /h)	Sound pressure level ¹ dB (A)		Approx. weight (Kg)
		230V	400V	690V			Inlet	Exhaust	
WALL/FREE-40-2T-1.5 IE3	2830	4.03	2.34		1.10	8805	64	64	55
WALL/FREE-45-2T-2 IE3	2875	5.34	3.07		1.50	10630	67	67	63
WALL/FREE-45-2T-3 IE3	2910	7.32	4.21		2.20	12745	69	69	67
WALL/FREE-56-4T-2 IE3	1440	5.41	3.11		1.50	15290	58	58	69
WALL/FREE-63-4T-3 IE3	1435	7.93	4.56		2.20	22090	61	61	97
WALL/FREE-63-4T-4 IE3	1440	10.70	6.15		3.00	25390	62	62	103
WALL/FREE-71-4T-3 IE3	1435	7.93	4.56		2.20	23970	66	66	100
WALL/FREE-71-4T-4 IE3	1440	10.70	6.15		3.00	29410	67	67	106
WALL/FREE-71-6T-1.5 IE3	945	4.68	2.69		1.10	20965	54	54	98
WALL/FREE-80-4T-3 IE3	1435	7.93	4.56		2.20	27940	67	67	114
WALL/FREE-80-4T-4 IE3	1440	10.70	6.15		3.00	32720	68	68	120
WALL/FREE-80-4T-5.5 IE3	1450	13.90	8.00		4.00	37440	69	69	122
WALL/FREE-80-6T-1.5 IE3	945	4.68	2.69		1.10	24650	57	57	112
WALL/FREE-80-6T-2 IE3	950	6.43	3.70		1.50	27960	58	58	116
WALL/FREE-90-4T-7.5 IE3	1465		10.30	5.97	5.50	47550	77	77	183
WALL/FREE-90-4T-10 IE3	1465		13.90	8.06	7.50	53120	78	78	187
WALL/FREE-90-6T-3 IE3	950	9.08	5.22		2.20	35555	64	64	145
WALL/FREE-90-6T-4 IE3	970	12.00	6.91		3.00	40165	65	65	165
WALL/FREE-100-4T-10 IE3	1465		13.90	8.06	7.50	58560	81	81	194
WALL/FREE-100-4T-15 IE3	1470		20.90	12.10	11.00	68000	82	82	226
WALL/FREE-100-4T-20 IE3	1465		27.90	16.20	15.00	71850	83	83	237
WALL/FREE-100-6T-5.5 IE3	960	15.60	8.99		4.00	52025	72	72	178

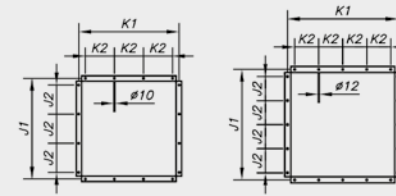
¹The noise level values are pressures in dB(A) measured at a distance of 10 metres in a free field.



WALL/FREE



*Wall-mounting flange



- WALL/FREE 40
- WALL/FREE 45
- WALL/FREE 56
- WALL/FREE 63
- WALL/FREE 71
- WALL/FREE 80

- WALL/FREE 90
- WALL/FREE 100

Model	A	B	C	D	E	F	G	J1	J2	K1	K2
WALL/FREE-40	640	590	650	600	82	430	375	700	200	700	200
WALL/FREE-45	640	590	650	600	82	430	400	700	200	700	200
WALL/FREE-56	690	690	700	700	82	560	415	790	220	790	220
WALL/FREE-63	990	990	1000	1000	82	760	475	1050	300	1050	300
WALL/FREE-71	990	990	1000	1000	82	760	500	1050	300	1050	300
WALL/FREE-80	990	990	1000	1000	82	760	500	1050	300	1050	300
WALL/FREE-90	1190	1190	1200	1200	82	790	525	1250	250	1250	250
WALL/FREE-100	1190	1190	1200	1200	82	790	550	1250	250	1250	250

(C x D) Nominal size of the wall opening.