

MCA

Filter units without fans, with active carbon filter cartridges



Filter units without a fan but with active carbon filter cartridges, designed for eliminating odours and purifying airborne pollutants.

Characteristics:

- Aluminium profile structure.
- Covers with a high quality, 25 mm thick acoustic casing made of prefinished sheet.
- Side access panel for proper maintenance.

- Modular construction for use in combination with different air treatment units.
- Compatible with most existing aluminium profile type models: CJK/EC, CJK/FILTER/EC, UPC/EC, CJBX/AL, CJBD/AL, CJDXR/AL, UFRX/ALS...
- Filters that are rechargeable, corrosion resistant and easy to remove for maintenance.

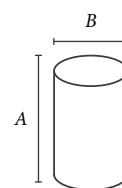
Order code



Filter characteristics

ACTIVATED CARBON FILTER (CARTRIDGE) - FCCA

	Material	Height A mm	Diameter B mm	Approx. weight Kg
MCA-490-700	Galvanised steel	250	145	2.5
MCA-855-1670	Galvanised steel	450	145	3.0



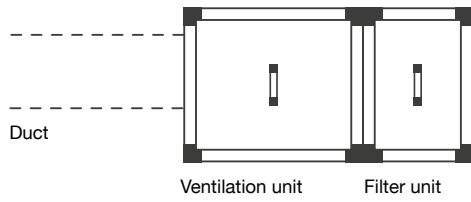
Technical characteristics

Model	Cross section mm		No. of filters	Approx. weight (Kg)	Maximum flow rate (m ³ /h)
	Height	Width			
MCA-490	490	490	5	30	390
MCA-500	500	500	5	33	390
MCA-550	550	550	9	42	700
MCA-605	605	605	9	45	700
MCA-680	680	680	9	51	700
MCA-700	700	700	16	81	1250
MCA-855	855	855	25	112	3905
MCA-900	900	900	25	131	3905

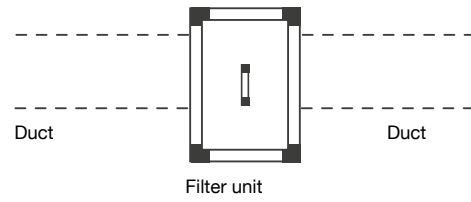
Model	Cross section mm		No. of filters	Approx. weight (Kg)	Maximum flow rate (m ³ /h)
	Height	Width			
MCA-1000	1000	1000	36	153	5625
MCA-1195	1195	1195	36	179	5625
MCA-1250	1250	1250	36	186	5625
MCA-1450	1450	1450	36	214	5625
MCA-1670	1670	1670	64	311	10000

Installation examples

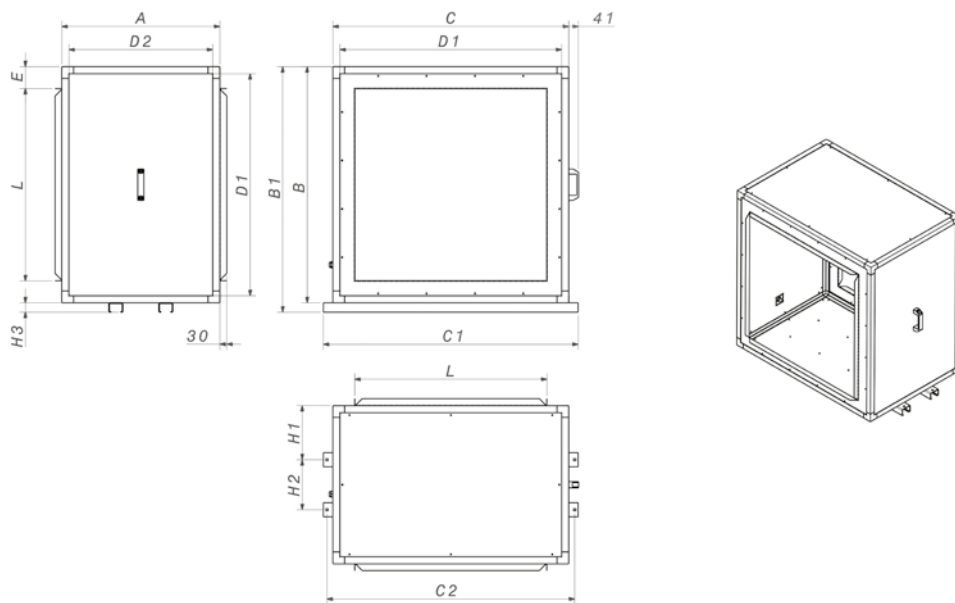
Set-up next to a ventilation unit



Set-up between ducts

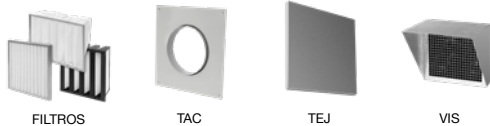


Dimensions mm



	A	B	B1	C	C1	C2	D1	D2	E	L	H1	H2	H3
MCA-490	510	490	-	490	-	-	430	450	83.4	323.2	-	-	-
MCA-500	500	500	-	500	-	-	420	420	58.4	383.2	-	-	-
MCA-550	510	550	-	550	-	-	490	450	83.4	383.2	-	-	-
MCA-605	510	605	-	605	-	-	545	450	106.9	391.2	-	-	-
MCA-680	510	680	-	680	-	-	620	450	84.4	511.2	-	-	-
MCA-700	700	700	-	700	-	-	620	620	94.4	511.2	-	-	-
MCA-855	670	855	895	855	938	908	795	610	84.4	686.2	229	212	40
MCA-900	900	900	-	900	-	-	820	820	106.9	686.2	-	-	-
MCA-1000	670	1000	1040	1000	1080	1050	940	610	92.9	814.2	229	212	40
MCA-1195	670	1195	1235	1195	1280	1245	1115	590	131.9	931.2	229	212	40
MCA-1250	670	1250	1290	1250	1350	1320	1170	590	168.9	912.2	229	212	40
MCA-1450	670	1450	1490	1450	1550	1520	1370	590	169.4	1111.2	229	212	40
MCA-1670	670	1670	1710	1670	1770	1740	1590	590	137.75	1394.5	229	212	40

Accessories



Load loss characteristic curves

Q= Flow rate in m³/h, m³/s and cfm Pe= Static pressure in mm H₂O, Pa and inwg

