

# CDXR/ATEX

**Belt driven centrifugal double inlet fans with shaft output on both sides, with ATEX 2G or 2D certification**



Notified authority: LOM  
Identification no.: LOM 20.554U-C



Belt driven centrifugal double inlet fans with shaft output on both sides, with ATEX 2G or 2D certification

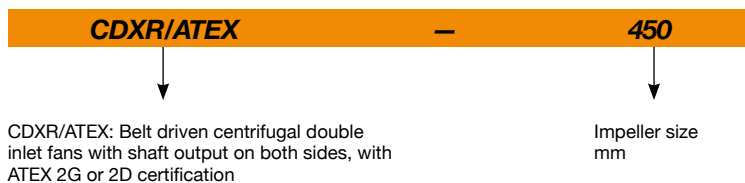
**Fan:**

- Galvanised steel sheet casing.
- Backward curved impeller made of painted sheet steel.
- Non-sparking inlet rings made of copper.
- Temperature of the air to be carried: -25 °C to +48 °C.
- Standard marking: II 2G Ex h IIB T6 Gb and II 2D Ex h IIIC 85°C Db.

**Finish:**

- Galvanised steel sheet.

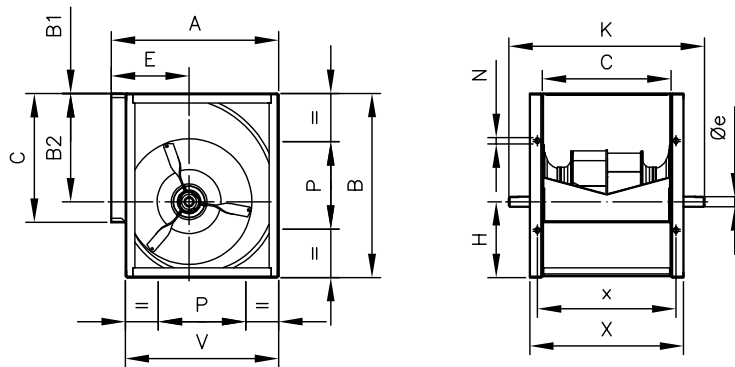
## Order code



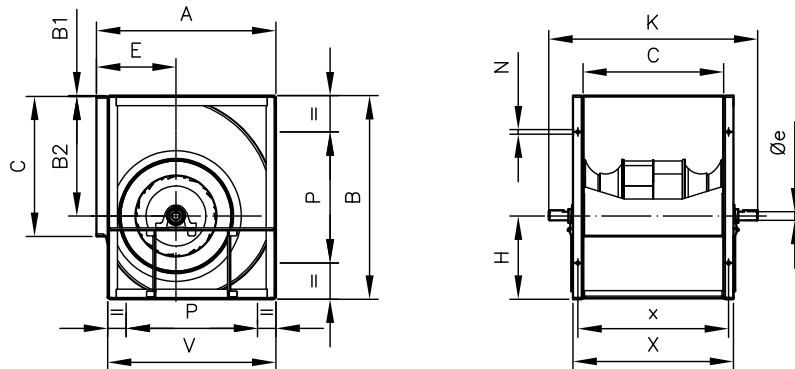
## Technical characteristics

Model	Speed (r/min)	Installed power (kW)	Maximum flow rate (m <sup>3</sup> /h)	Approx. weight (Kg)
CDXR/ATEX-200	4900	2.2	4380	10
CDXR/ATEX-250	4100	3.0	6500	18
CDXR/ATEX-315	3200	4.0	11560	33
CDXR/ATEX-355	2800	5.5	15310	43
CDXR/ATEX-400	2400	5.5	19340	51
CDXR/ATEX-450	2200	7.5	24990	68
CDXR/ATEX-500	2000	11.0	30890	84
CDXR/ATEX-560	1800	15.0	41150	142
CDXR/ATEX-630	1700	22.0	54100	168
CDXR/ATEX-710	1400	22.0	56390	223
CDXR/ATEX-800	1300	30.0	73580	300
CDXR/ATEX-900	1200	37.0	93400	482
CDXR/ATEX-1000	1100	37.0	105580	530

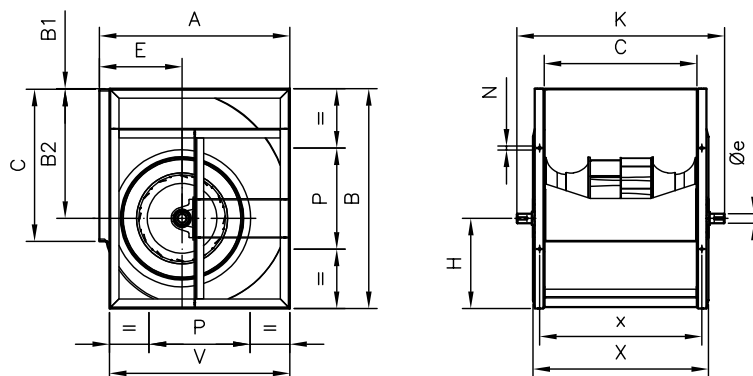
**Dimensions mm**



	A	B	B1	B2	C	E	øe	H	K	N	P	V	X	x
CDXR/ATEX-200	343	370	0.5	215	256	164	25	154.5	420	11x16	224	306	319	281
CDXR/ATEX-250	419	461	0.5	270	322	195	25	190.5	490	11x16	224	384	385	347



	A	B	B1	B2	C	E	øe	H	K	N	P	V	X	x
CDXR/ATEX-315	518	578	4	340	404	236	25	235	640	13x18	280	480	464	434
CDXR/ATEX-355	578	650	-	385	453	261	35	266	700	13x18	355	548	533	493
CDXR/ATEX-400	651	733	-	433	507	290	35	300	760	13x18	355	613	587	547
CDXR/ATEX-450	728	823	-	487	569	322	35	336	845	13x18	530	681	649	609
CDXR/ATEX-500	800	918	3	540	638	352	35	375	915	13x18	530	750	718	678

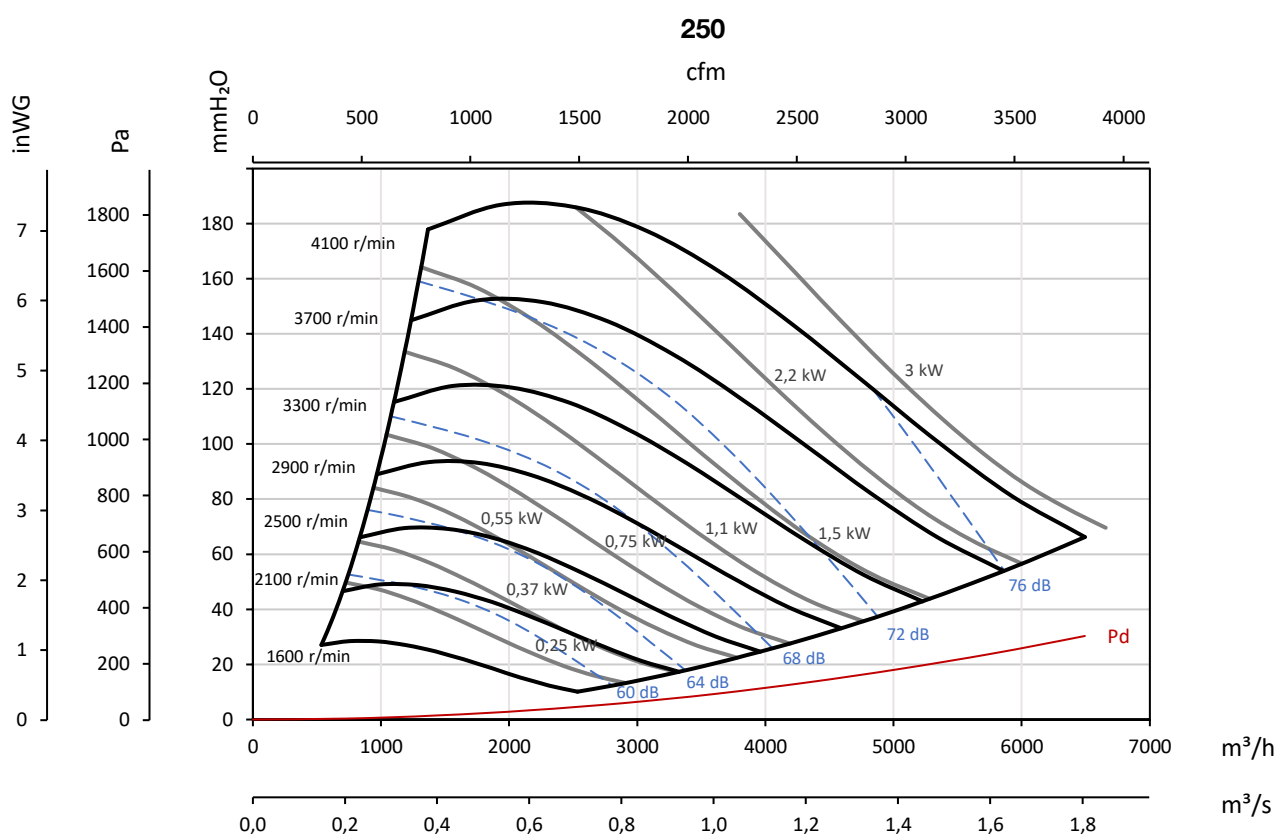
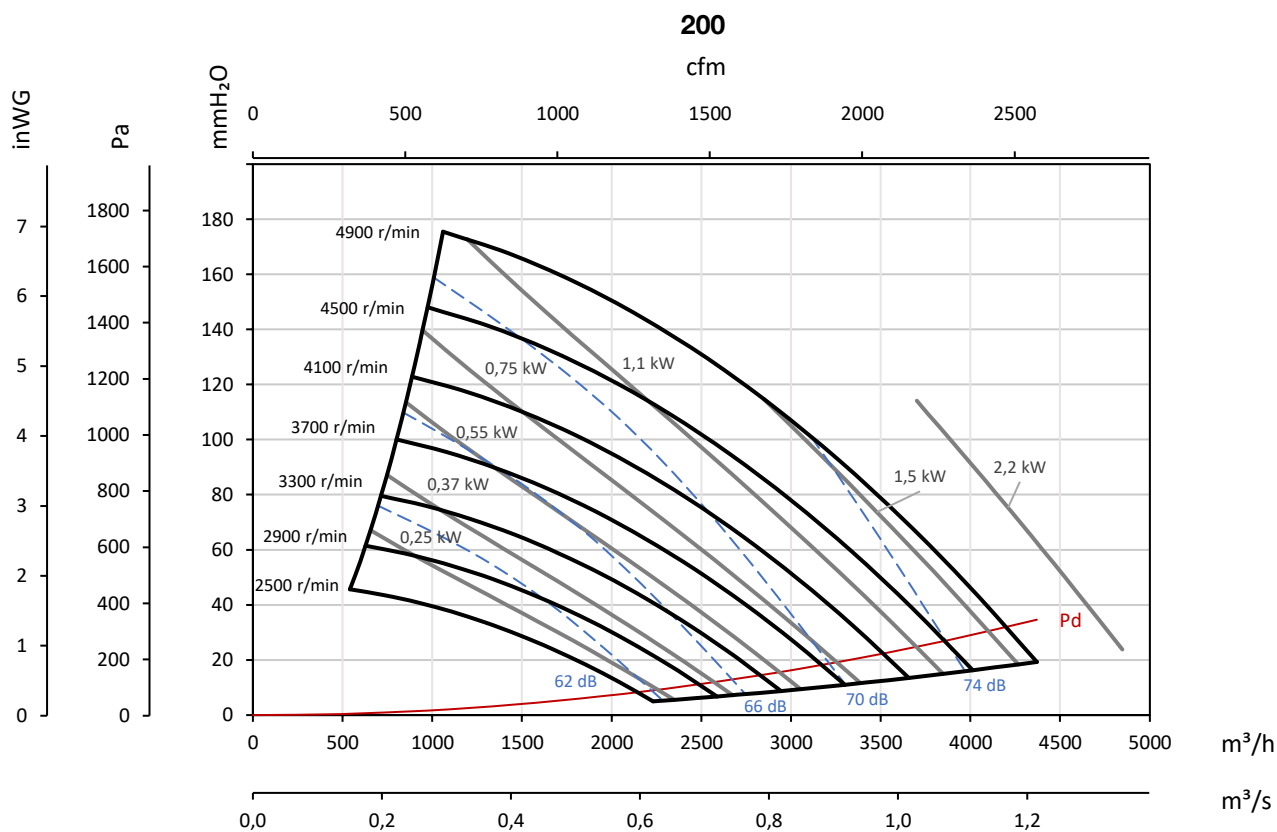


	A	B	B1	B2	C	E	øe	H	K	N	P	V	X	x
CDXR/ATEX-560	893	1025	-	605	715	390	40	420	1000	13x18	530	845	815	765
CDXR/ATEX-630	999	1153	-	681	801	434	45	471.5	1090	13x18	530	946	901	851
CDXR/ATEX-710	1121	1303	-	766	898	476	50	538	1255	17x22	630	1058	998	948
CDXR/ATEX-800	1250	1468	-	863	1007	535	65	606	1450	17x22	710	1181	1107	1057
CDXR/ATEX-900	1408	1648	-	972	1130	604	65	677	1570	17x22	800	1319	1230	1180
CDXR/ATEX-1000	1501	1810	-	1067	1267	617	65	744	1700	17x22	900	1462	1367	1317

### Characteristic curves

Q= Flow rate in m<sup>3</sup>/h, m<sup>3</sup>/s and cfm

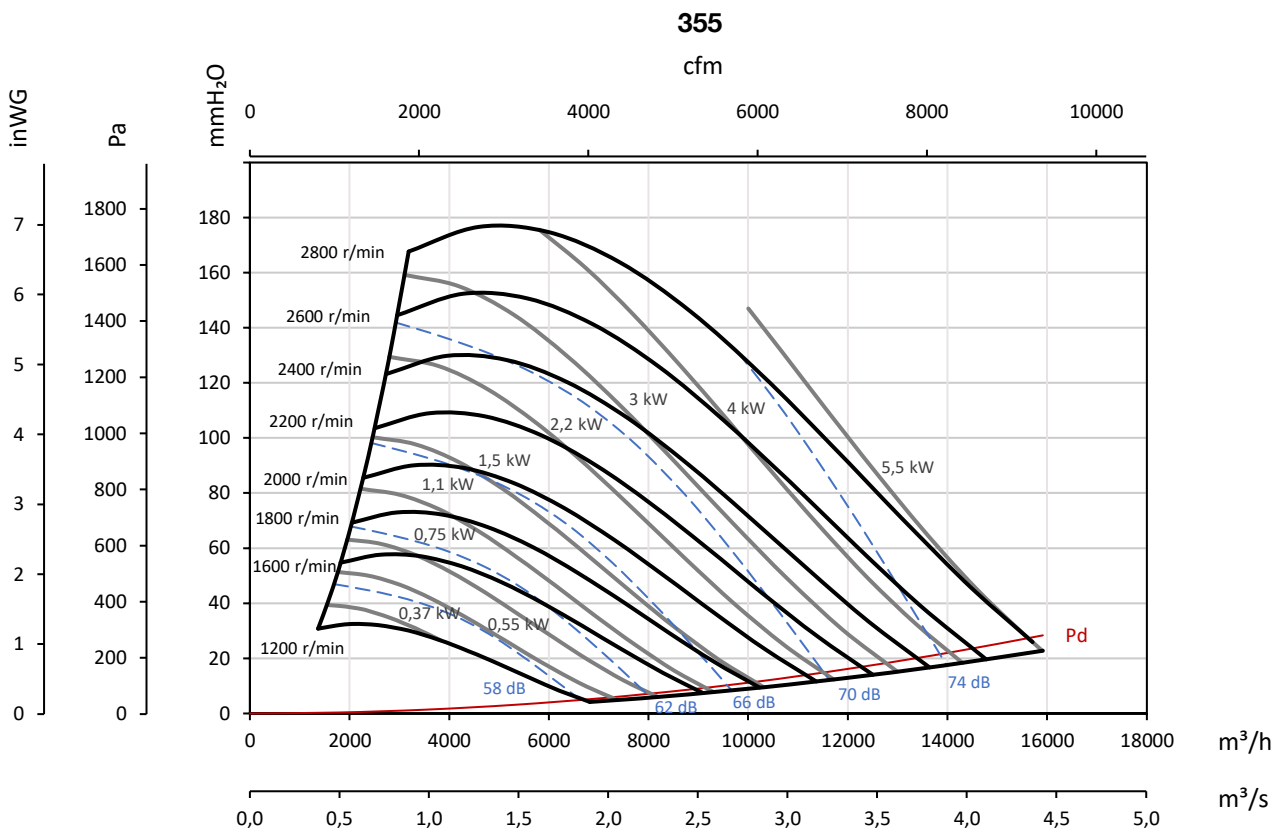
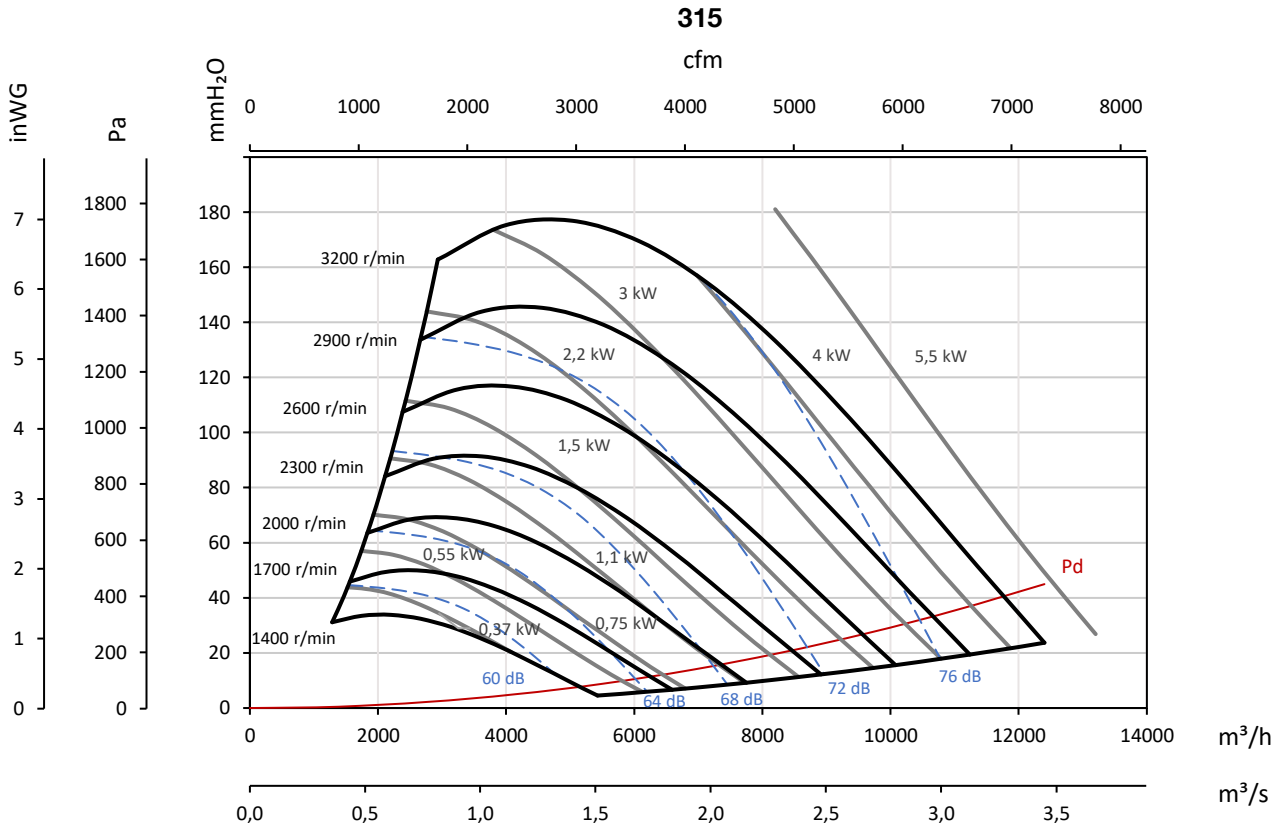
Pe= Static pressure in mm H<sub>2</sub>O, Pa and inWG



### Characteristic curves

Q= Flow rate in m<sup>3</sup>/h, m<sup>3</sup>/s and cfm

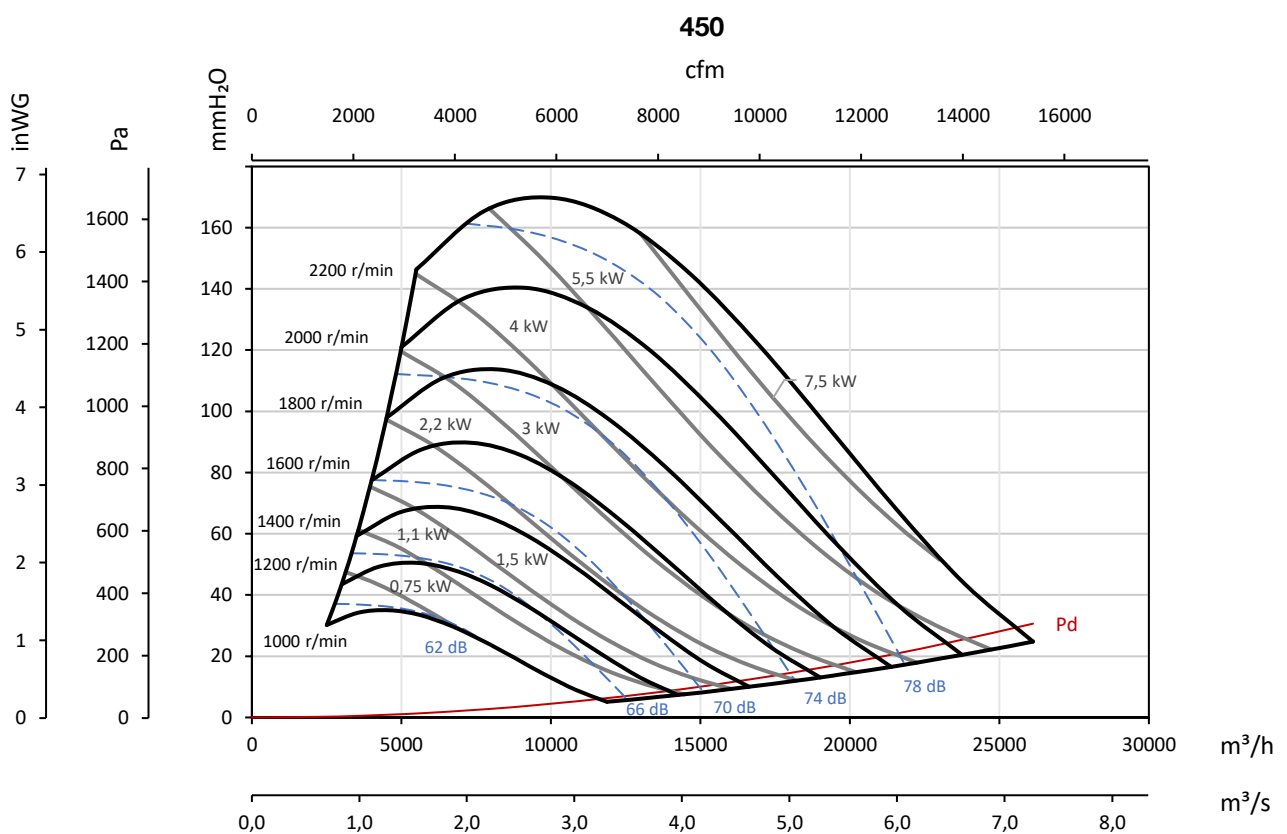
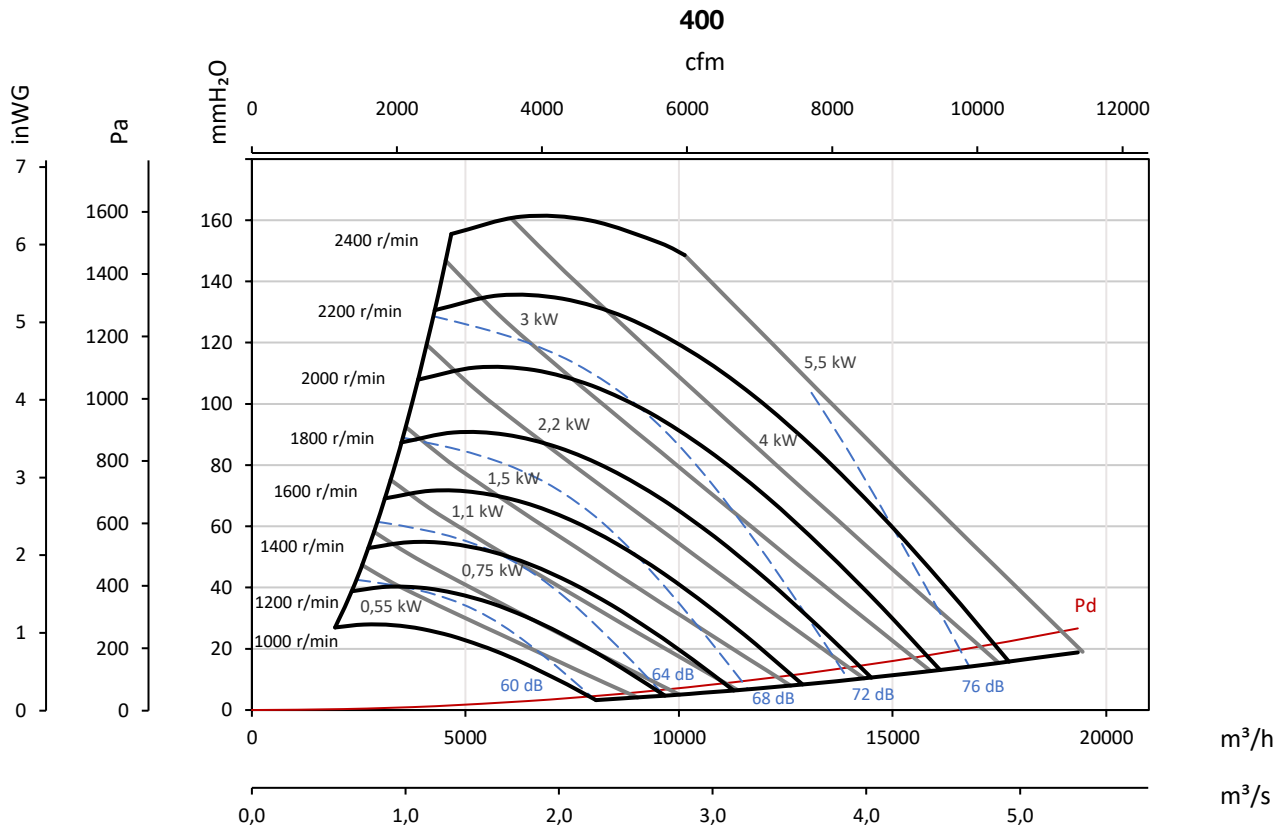
Pe= Static pressure in mm H<sub>2</sub>O, Pa and inWG



### Characteristic curves

Q= Flow rate in m<sup>3</sup>/h, m<sup>3</sup>/s and cfm

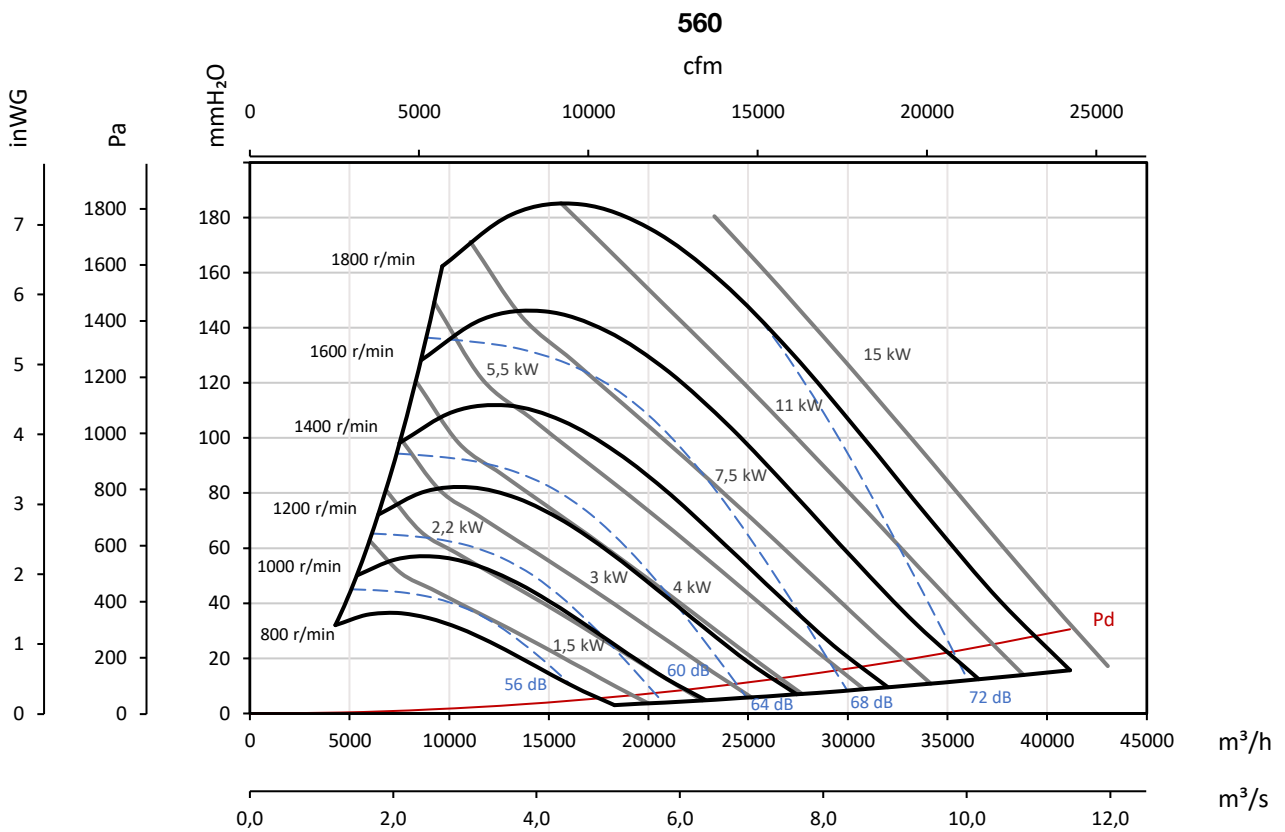
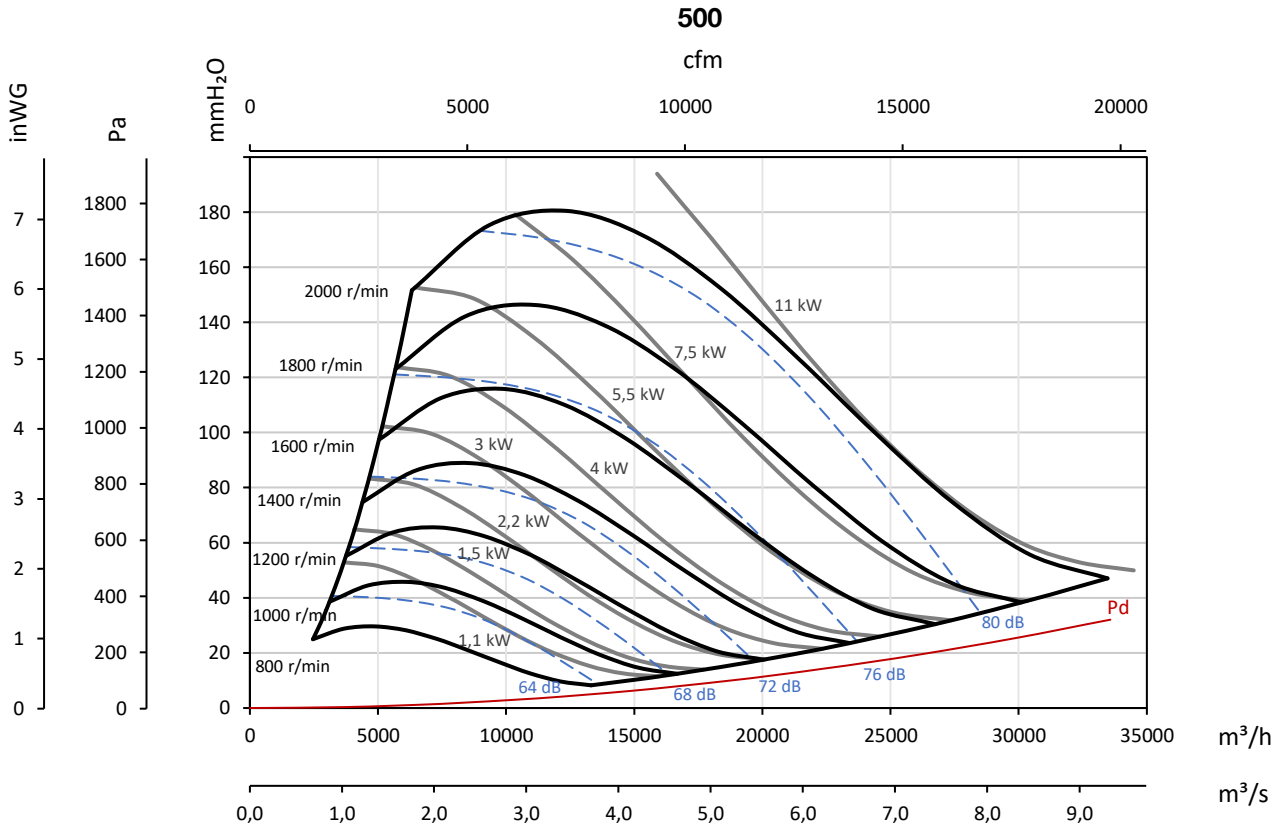
Pe= Static pressure in mm H<sub>2</sub>O, Pa and inWG



### Characteristic curves

Q= Flow rate in m<sup>3</sup>/h, m<sup>3</sup>/s and cfm

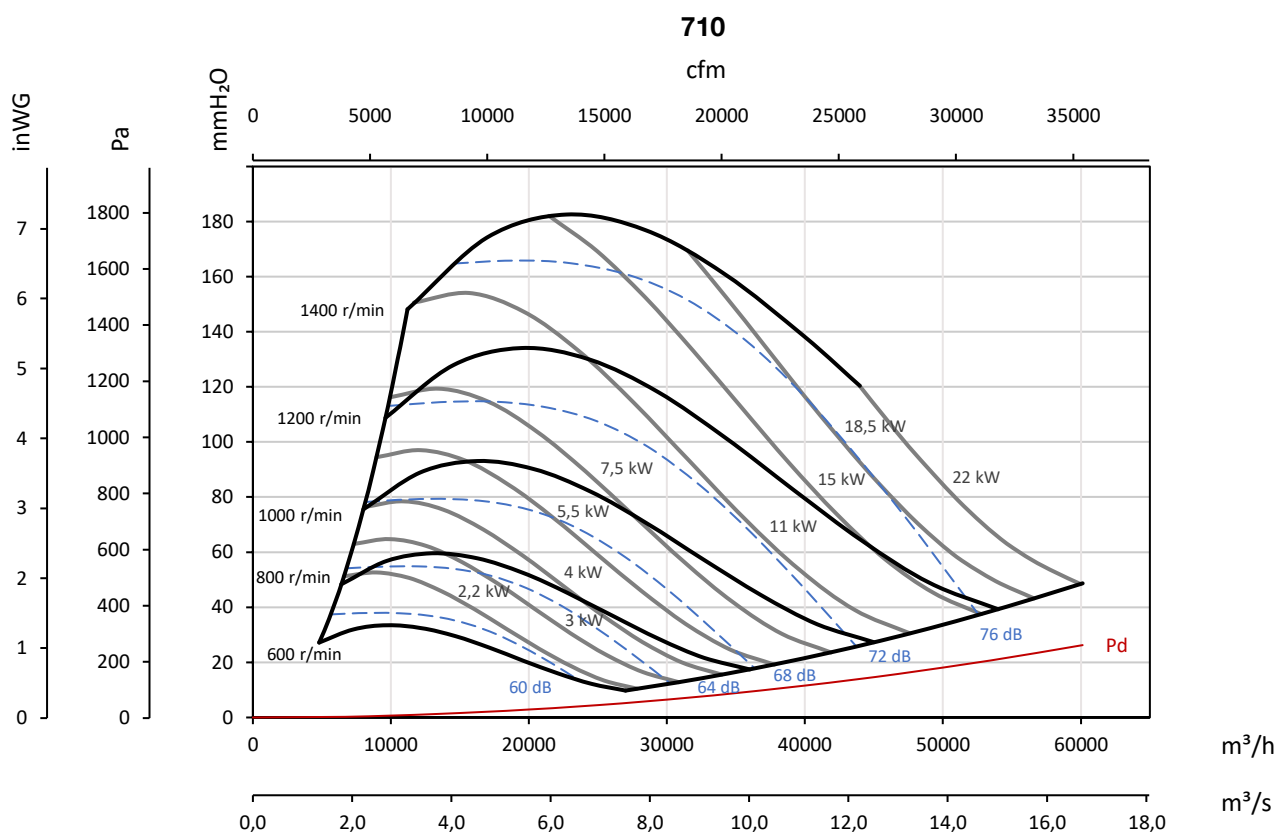
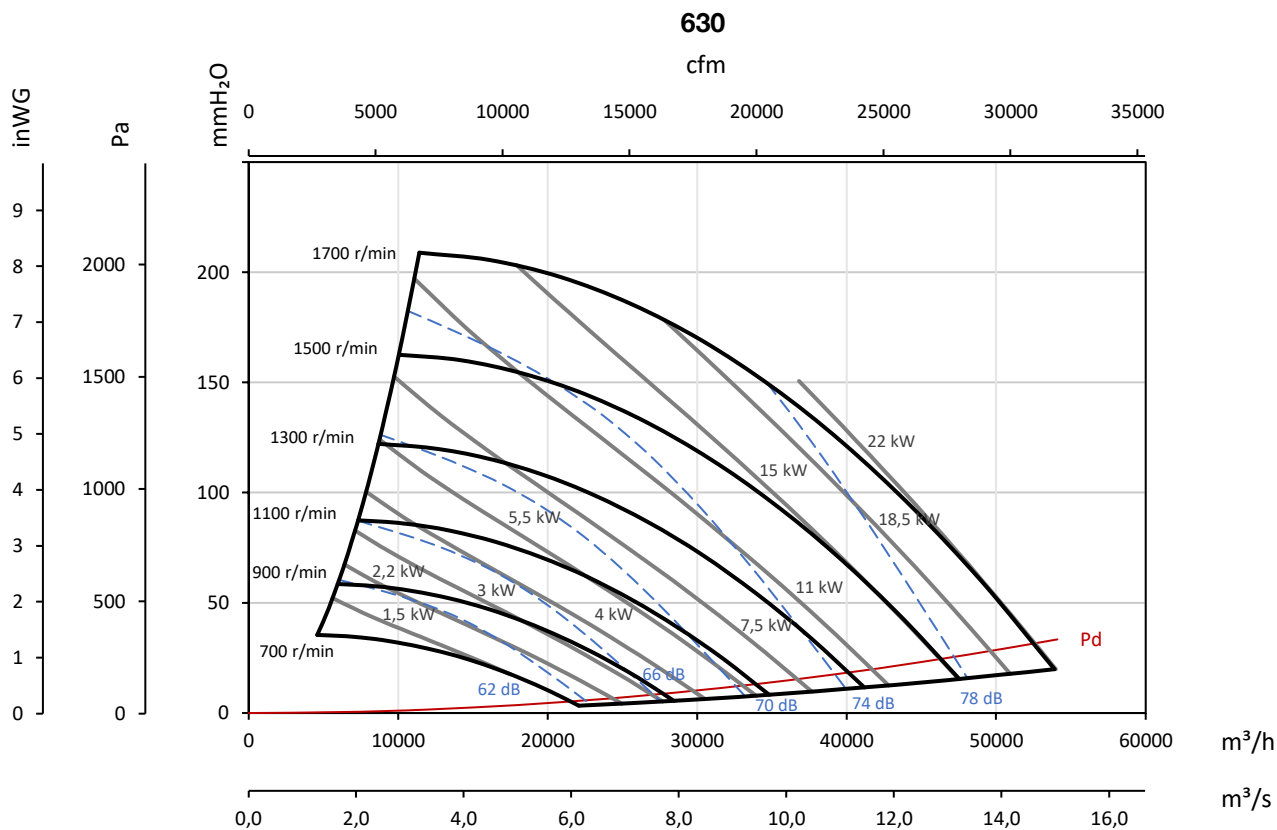
Pe= Static pressure in mm H<sub>2</sub>O, Pa and inWG



### Characteristic curves

Q= Flow rate in m<sup>3</sup>/h, m<sup>3</sup>/s and cfm

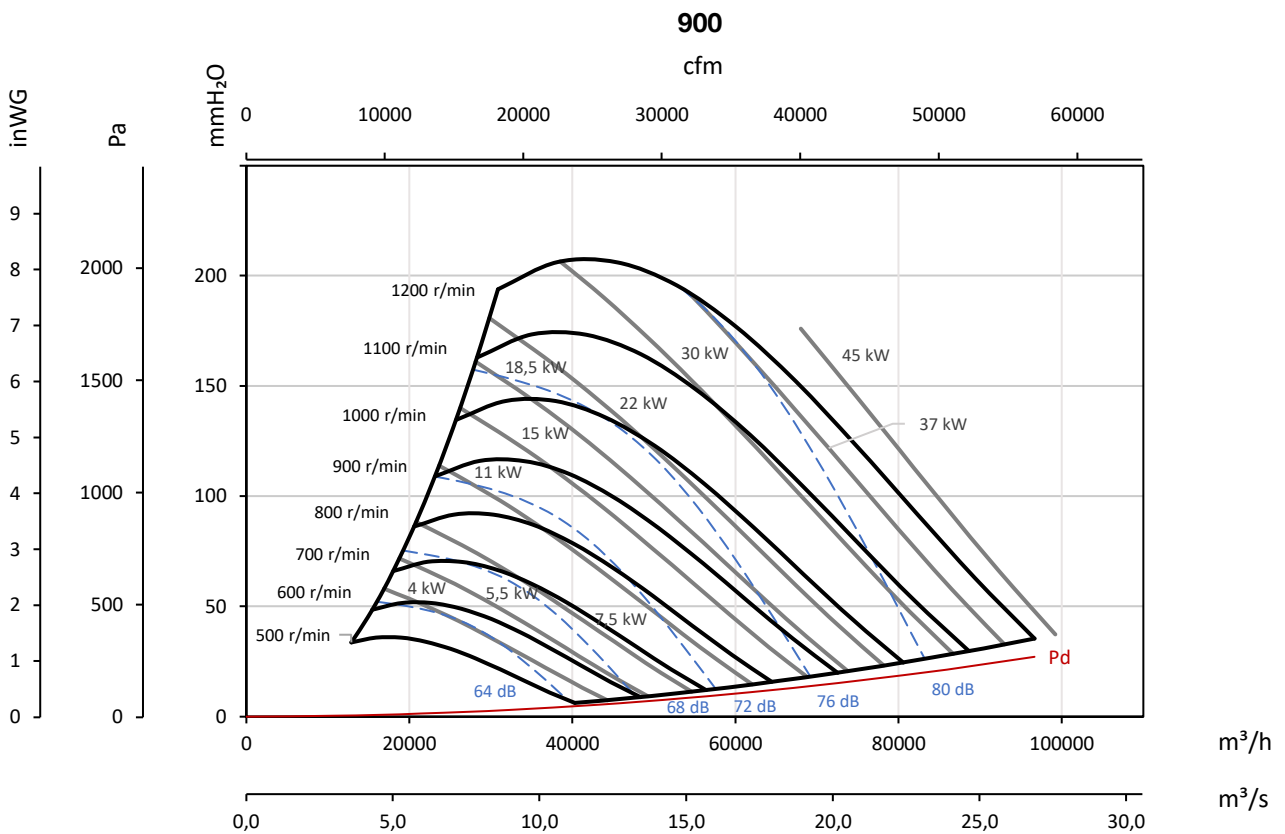
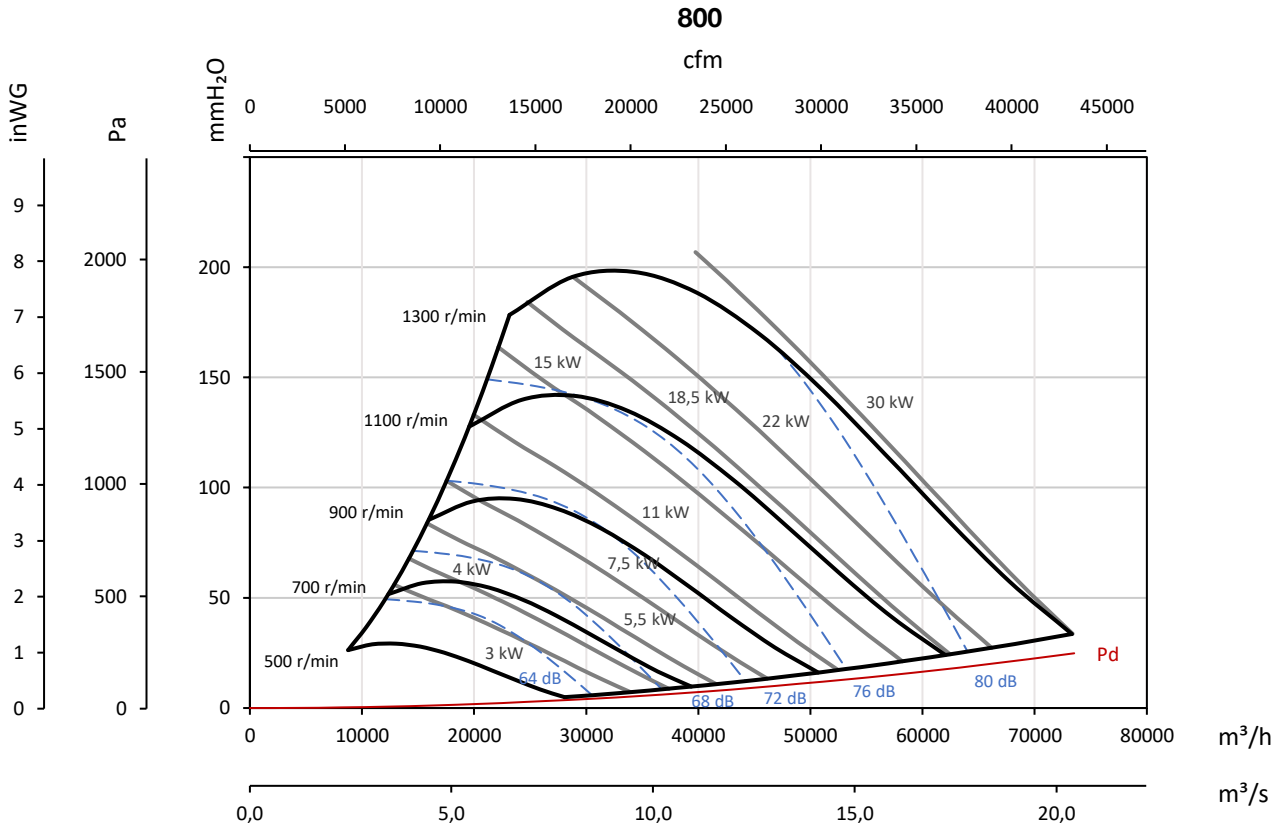
Pe= Static pressure in mm H<sub>2</sub>O, Pa and inWG



### Characteristic curves

Q= Flow rate in m<sup>3</sup>/h, m<sup>3</sup>/s and cfm

Pe= Static pressure in mm H<sub>2</sub>O, Pa and inWG

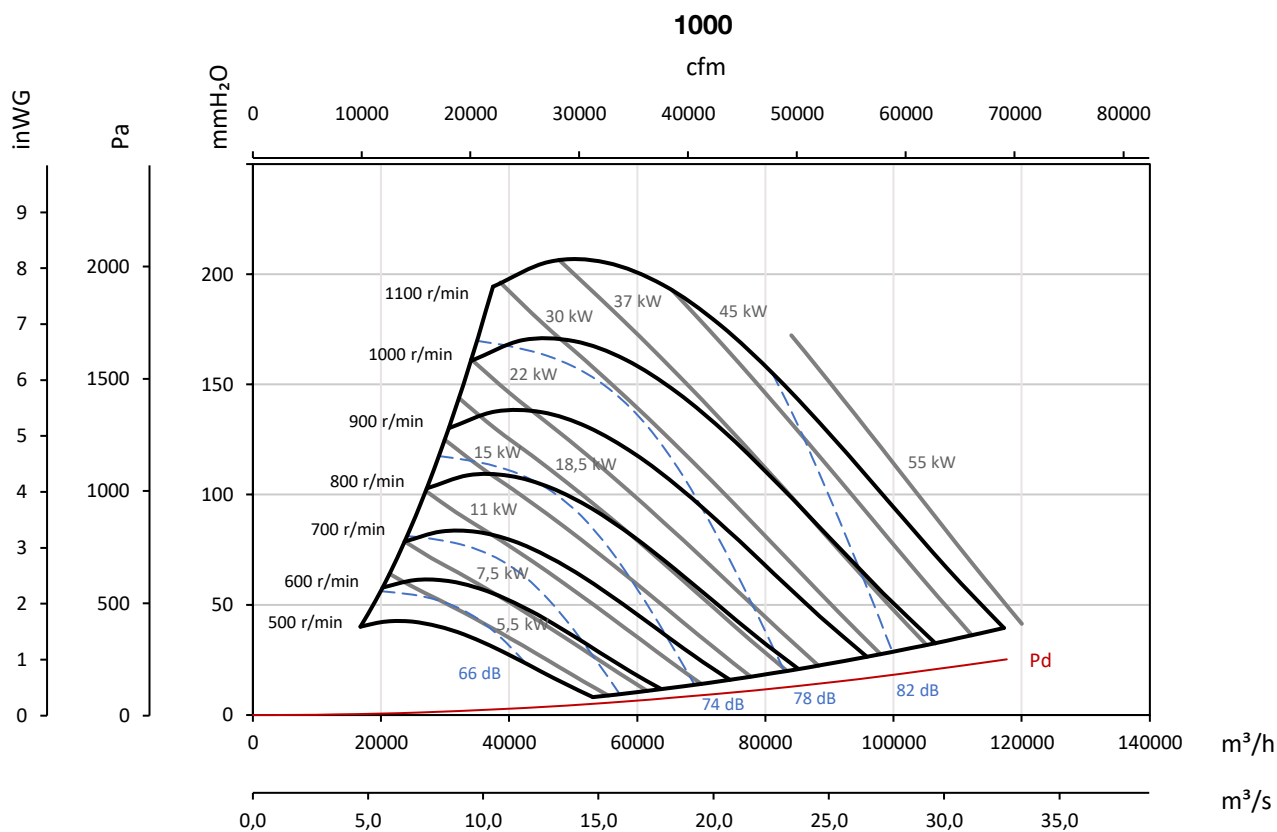




### Characteristic curves

Q= Flow rate in m<sup>3</sup>/h, m<sup>3</sup>/s and cfm

Pe= Static pressure in mm H<sub>2</sub>O, Pa and inWG



### Accessories



INT/ATEX



VSD3/A-RFT  
- VSD1/A-RFM



AET