

CJSRX

Extraction units 400 °C/2h to work outside the fire risk zone, driven by transmission with a backward curved impeller



Belt driven 400 °C/2h extractor fan units with backward curved impeller fitted with electric motors and a standardised set of pulleys, belts and guards in accordance with standard ISO-13857.

Fan:

- Sheet steel casing.
- Backward curved impeller made of sheet steel.
- Approved in accordance with standard EN 12101-3, with certificate no.: 0370-CPR-1578.
- Standardised set of pulleys, belts and guards in accordance with standard ISO-13857.
- Maximum temperature of air to be carried: -25 °C +150 °C.

Motor:

- Motors with IE3 efficiency for powers equal to or greater than 0.75 kW, except single-phase, 2-speed and 8-pole.
- Class F motors with ball bearings and IP55 protection.
- Three-phase 230/400 V 50 Hz (up to 4 kW) and 400/690 V 50 Hz (powers greater than 4 kW).
- Working temperature: -25 °C +50 °C.

Finish:

- Anti-corrosive in galvanized steel sheet.

On request:

- Special windings for different voltages.

Order code



Technical characteristics

Model	Speed (r/min)	Maximum admissible current (A)			Installed power (kW)	Maximum flow rate (m³/h)	Sound pressure level dB (A)	Approx. weight (Kg)
		230V	400V	690V				
CJSRX-315-1 IE3	2095	2.82	1.62		0.75	3430	64	111
CJSRX-315-1.5 IE3	2375	4.07	2.34		1.10	3880	68	119
CJSRX-315-2 IE3	2655	5.41	3.11		1.50	4340	70	124
CJSRX-315-3 IE3	3000	7.93	4.56		2.20	4910	73	129
CJSRX-355-0.75	1580	2.92	1.69		0.55	3680	63	126
CJSRX-355-1 IE3	1765	2.82	1.62		0.75	4120	67	127
CJSRX-355-1.5 IE3	2010	4.07	2.34		1.10	4690	70	135
CJSRX-355-2 IE3	2225	5.41	3.11		1.50	5190	73	140
CJSRX-355-3 IE3	2530	7.93	4.56		2.20	5900	75	144
CJSRX-355-4 IE3	2860	10.70	6.15		3.00	6680	78	150
CJSRX-400-1 IE3	1465	2.82	1.62		0.75	4860	61	155
CJSRX-400-1.5 IE3	1665	4.07	2.34		1.10	5520	65	160
CJSRX-400-2 IE3	1845	5.41	3.11		1.50	6110	67	171
CJSRX-400-3 IE3	2100	7.93	4.56		2.20	6960	70	172
CJSRX-400-4 IE3	2370	10.70	6.15		3.00	7850	73	174
CJSRX-400-5.5 IE3	2610	13.90	8.00		4.00	8640	75	181
CJSRX-450-1 IE3	1220	2.82	1.62		0.75	5620	63	186

Technical characteristics

Model	Speed (r/min)	Maximum admissible current (A)			Installed power (kW)	Maximum flow rate (m ³ /h)	Sound pressure level dB (A)	Approx. weight (Kg)
		230V	400V	690V				
CJSRX-450-1.5 IE3	1390	4.07	2.34		1.10	6400	68	189
CJSRX-450-2 IE3	1540	5.41	3.11		1.50	7100	70	200
CJSRX-450-3 IE3	1750	7.93	4.56		2.20	8060	73	201
CJSRX-450-4 IE3	1980	10.70	6.15		3.00	9120	76	203
CJSRX-450-5.5 IE3	2180	13.90	8.00		4.00	10040	78	210
CJSRX-450-7.5 IE3	2420		10.30	5.97	5.50	11150	80	253
CJSRX-450-10 IE3	2670		13.90	8.06	7.50	12300	82	229
CJSRX-500-1.5 IE3	1140	4.07	2.34		1.10	7330	66	228
CJSRX-500-2 IE3	1270	5.41	3.11		1.50	8160	70	238
CJSRX-500-3 IE3	1445	7.93	4.56		2.20	9290	75	240
CJSRX-500-4 IE3	1635	10.70	6.15		3.00	10510	77	246
CJSRX-500-5.5 IE3	1800	13.90	8.00		4.00	11570	79	252
CJSRX-500-7.5 IE3	2000		10.30	5.97	5.50	12860	82	291
CJSRX-500-10 IE3	2220		13.90	8.06	7.50	14270	84	267
CJSRX-500-15 IE3	2300		20.90	12.10	11.00	14780	85	321
CJSRX-560-2 IE3	1035	5.41	3.11		1.50	9880	63	304
CJSRX-560-3 IE3	1185	7.93	4.56		2.20	11360	68	299
CJSRX-560-4 IE3	1340	10.70	6.15		3.00	12880	71	306
CJSRX-560-5.5 IE3	1475	13.90	8.00		4.00	14210	74	312
CJSRX-560-7.5 IE3	1640		10.30	5.97	5.50	15830	76	351
CJSRX-560-10 IE3	1815		13.90	8.06	7.50	17560	78	327
CJSRX-560-15 IE3	2065		20.90	12.10	11.00	20010	81	381
CJSRX-630-3 IE3	1010	7.93	4.56		2.20	12120	66	339
CJSRX-630-4 IE3	1140	10.70	6.15		3.00	13680	69	345
CJSRX-630-5.5 IE3	1255	13.90	8.00		4.00	15060	71	351
CJSRX-630-7.5 IE3	1395		10.30	5.97	5.50	16740	73	390
CJSRX-630-10 IE3	1550		13.90	8.06	7.50	18600	76	366
CJSRX-630-15 IE3	1760		20.90	12.10	11.00	21120	78	420
CJSRX-630-20 IE3	1900		27.90	16.20	15.00	22800	80	442
CJSRX-710-4 IE3	960	10.70	6.15		3.00	17060	66	416
CJSRX-710-5.5 IE3	1060	13.90	8.00		4.00	18840	69	422
CJSRX-710-7.5 IE3	1180		10.30	5.97	5.50	20980	71	461
CJSRX-710-10 IE3	1305		13.90	8.06	7.50	23200	73	456
CJSRX-710-15 IE3	1485		20.90	12.10	11.00	26400	76	491
CJSRX-710-20 IE3	1670		27.90	16.20	15.00	29690	78	513
CJSRX-710-25 IE3	1750		35.10	20.30	18.50	31110	79	546



Erp. (Energy Related Products)

Information on Directive 2009/125/EC can be downloaded from the SODECA website or the QuickFan selector programme.

Accessories



INT



IAT



C2V



RPA



B



BD



BIC



ACE ACE/400



CABLE BOX



AET



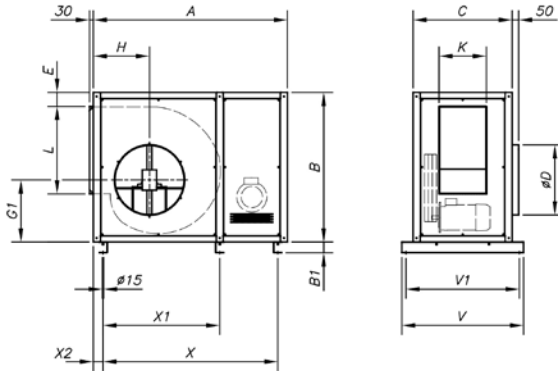
CENTRAL CO



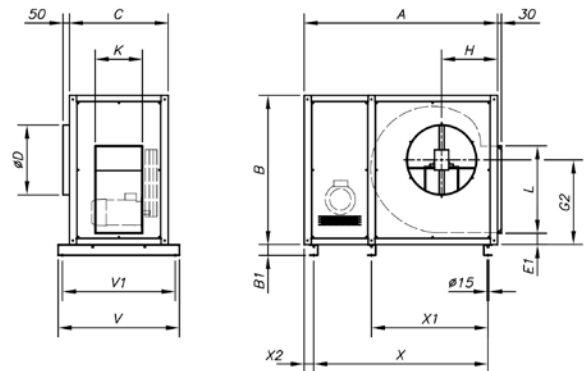
VSD3/A-RFT
- VSD1/A-RFM

Dimensions mm

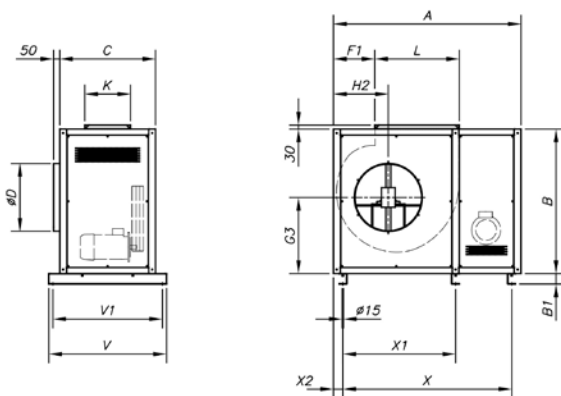
**Standard supply horizontal impulsion
(H) RD 90**



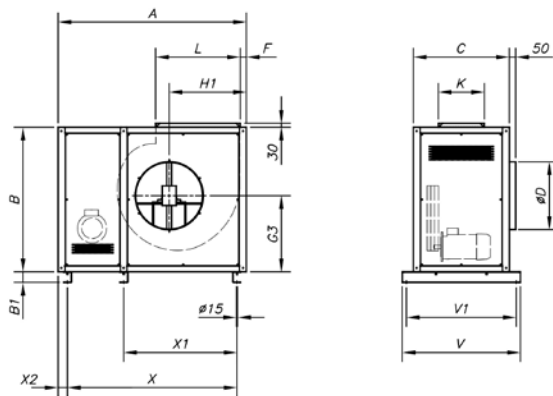
**Horizontal impulsion on request
(H) LG 90**



**Vertical impulsion on request
(V) RD 0**



**Vertical impulsion on request
(V) LG 0**



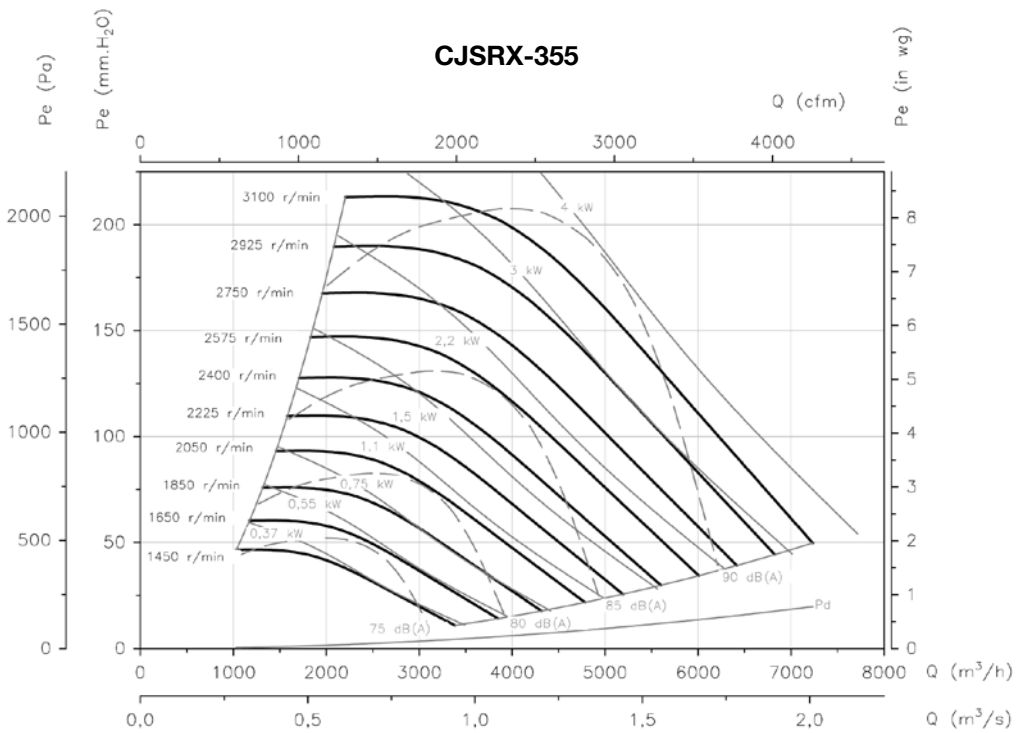
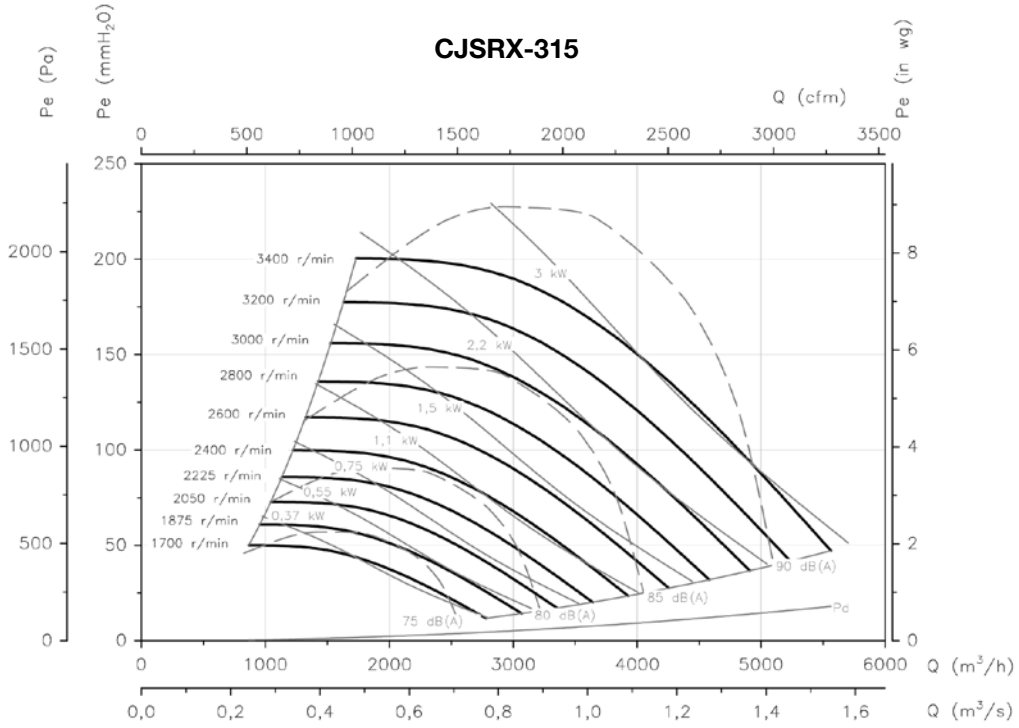
	A	B	B1	C	ØD	E	E1	F	F1	G1	G2	G3
CJSRX-315	1170	740	60	600	315	82	84.2	113	281	317.5	423.2	366.2
CJSRX-355	1265	815	60	650	365	85	86.5	112.5	302.5	347.2	470	398
CJSRX-400	1370	900	60	680	400	82	90.2	111	331	386.2	522.2	447.2
CJSRX-450	1480	990	60	716	448	82	91.2	112.8	360	422.2	577.2	491
CJSRX-500	1625	1080	60	760	510	80.5	91	111.7	381.3	461.2	629.2	534.2
CJSRX-560	1760	1195	60	810	580	86.8	94.2	128	426	506.2	696.2	590
CJSRX-630	1880	1322	60	850	635	85.2	89.6	113.4	455.6	557.7	768.7	648.2
CJSRX-710	2180	1500	80	910	710	103	108.2	100	491	632.2	873.2	737.2

	H	H1	H2	K	L	V	V1	X	X1	X2
CJSRX-315	305	451.5	346.3	224	405	760	680	880	-	155
CJSRX-355	338	496	373	248	454	810	730	1020	-	152
CJSRX-400	359	543	407	275	508	840	760	1120	-	152
CJSRX-450	383	598	443	309	570	876	796	1240	-	152
CJSRX-500	409	650	482	345	639	920	840	1340	670	152
CJSRX-560	462	731	540	384	716	970	890	1490	745	152
CJSRX-630	488	792.5	578.5	433	802	1010	930	1610	820	158
CJSRX-710	562	865	624	479	899	1070	990	1910	955	168

Characteristic curves

Q= Flow rate in m³/h, m³/s and cfm

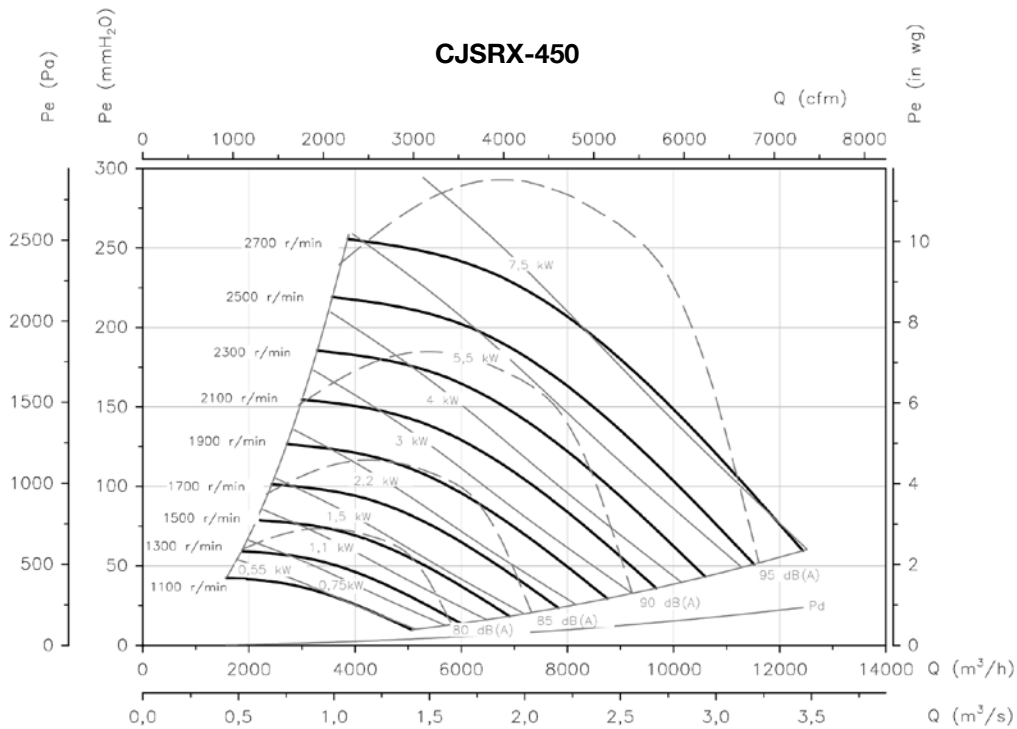
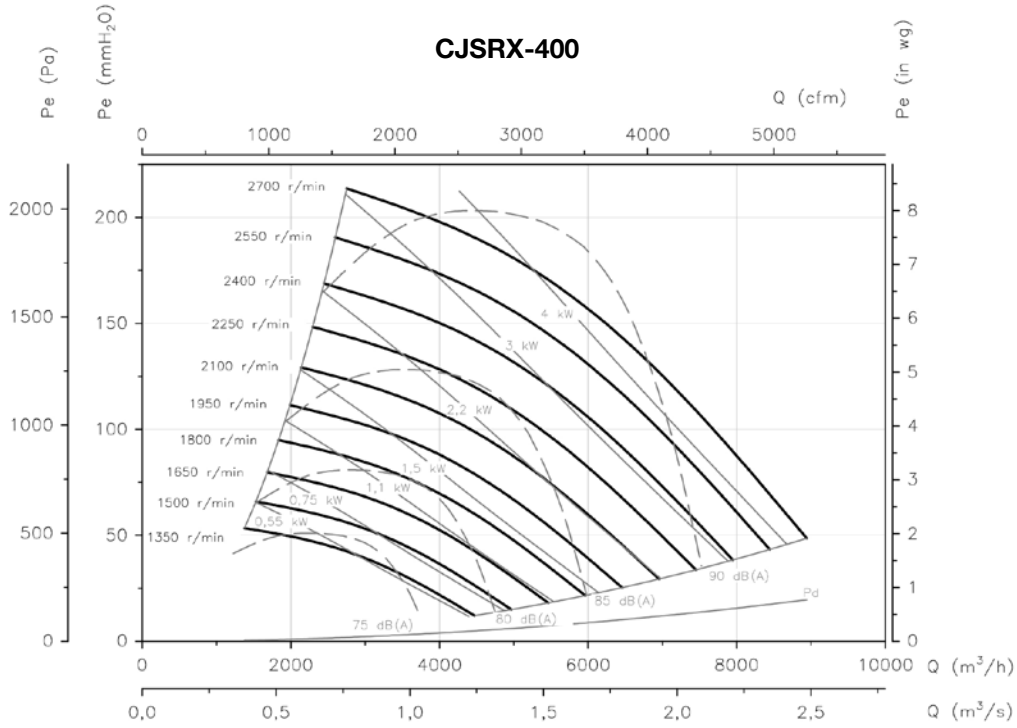
Pe= Static pressure in mm H₂O, Pa and inwg



Characteristic curves

Q= Flow rate in m³/h, m³/s and cfm

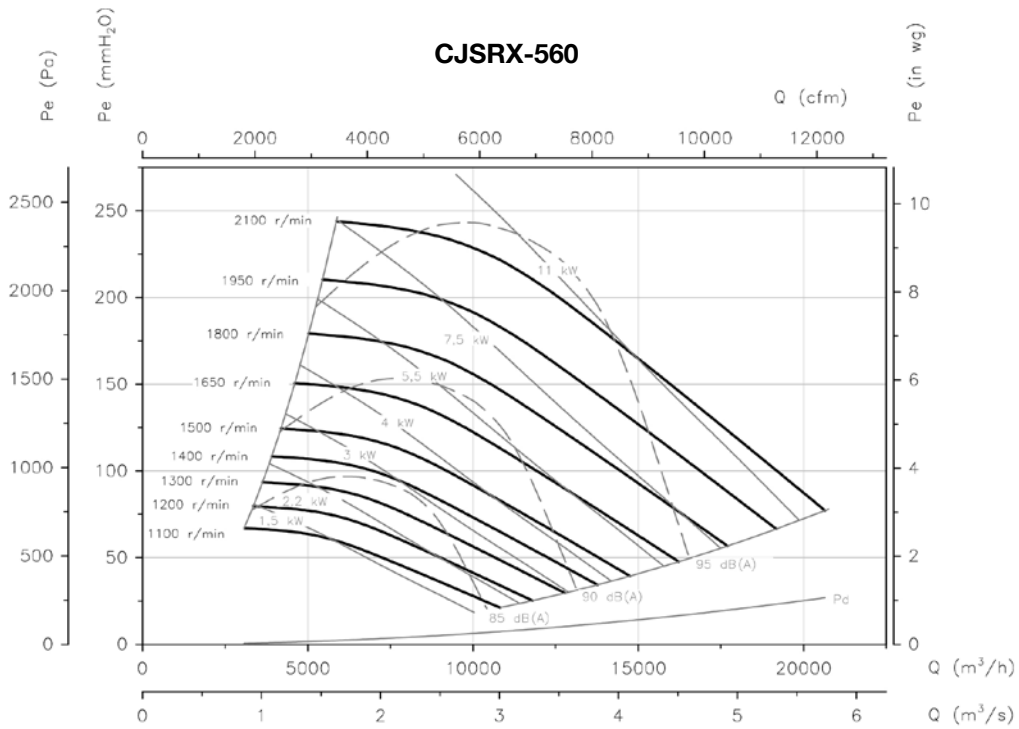
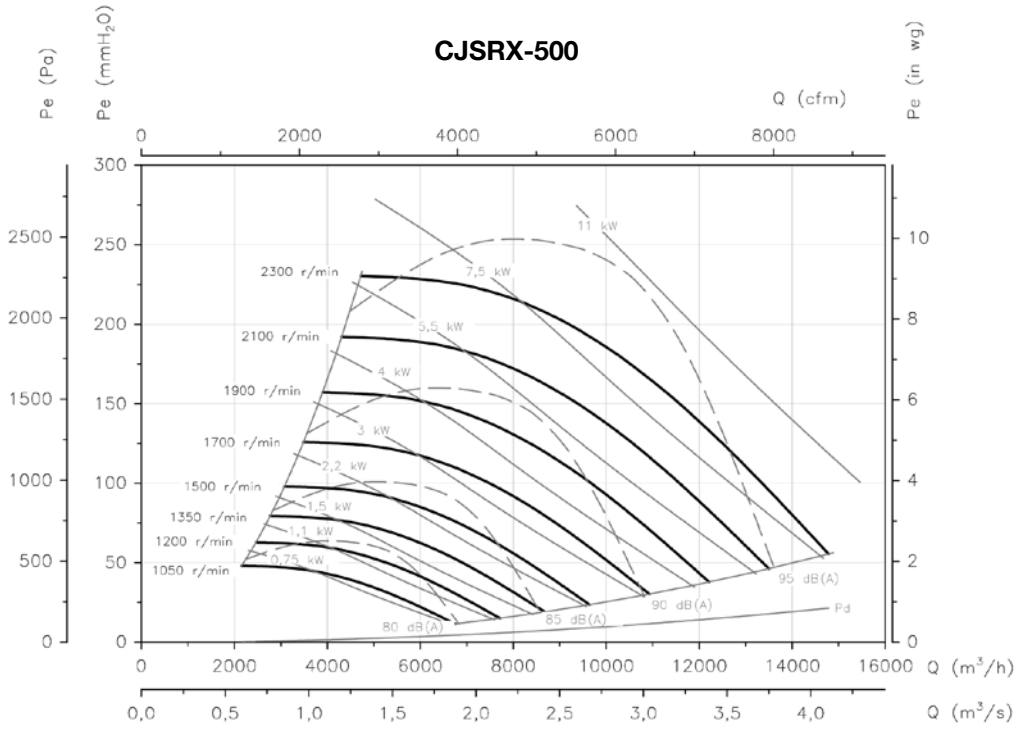
Pe= Static pressure in mm H₂O, Pa and inwg



Characteristic curves

Q= Flow rate in m³/h, m³/s and cfm

Pe= Static pressure in mm H₂O, Pa and inwg



Characteristic curves

Q= Flow rate in m³/h, m³/s and cfm

Pe= Static pressure in mm H₂O, Pa and inwg

