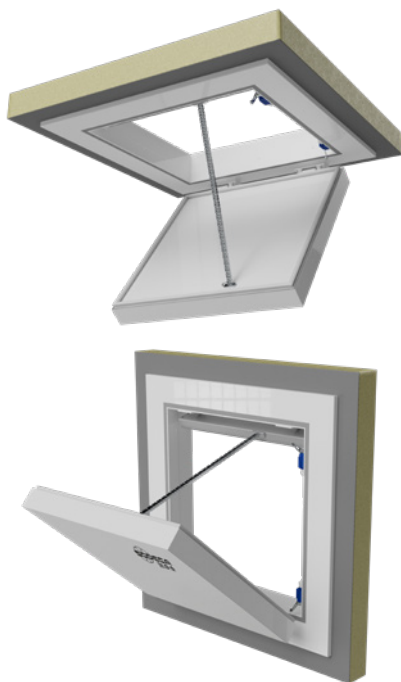


FRIDGE/FLAP

Motorized flaps for smoke evacuation in cold rooms



Motorized flaps for smoke evacuation in case of fire. Specially designed to be installed in cold or even frozen chambers with excellent thermal and sealing performance. Homologation of mechanical smoke extractor accessory according to standard EN-12101-3, with F400 and F300 certification.

Characteristics:

- Flaps approved as a smoke extractor accessory according to EN 12101-3.
- 90 mm class B injected polyurethane insulation according to UNE-EN 13501.
- Thermal resistance of the assembly less than 0.20 W/m²·K.
- Aluminum profile with thermal bridge break.
- Double air chamber perimeter seal.
- 40 W/m heating resistance to prevent the sealing joint from freezing.
- Suitable for cold rooms (>4 °C) and freezing rooms (from 4 °C to -28 °C).
- Limit switches in both positions (open and closed).
- Manual opening system (Utility model ES 1 259 375 U).

- Possibility of horizontal or vertical installation.
- Opening time 30 seconds.

Actuator:

- Reliability greater than 11,000 dual cycles.
- Supply voltage at 230 V AC 50 Hz.
- Working temperature: -25 °C +60 °C.

Finish:

- Anti-corrosive in extruded aluminum.
- RAL 9010 supplied as standard.
- The product is supplied with trims to finish off the opening in the sandwich panel, adaptable to any panel thickness.

On request:

- Heating resistance disconnection thermostat.
- Configurable inner flap thickness.

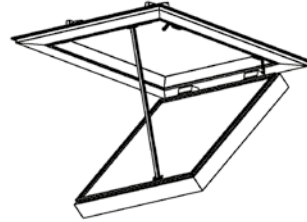
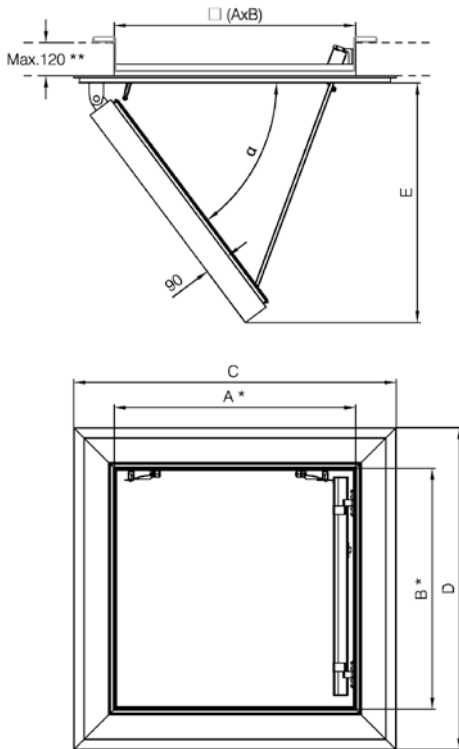
Order code

FRIDGE/FLAP — **100**

FRIDGE/FLAP: Motorized flaps for smoke evacuation in cold rooms

Flap size

Dimensions mm



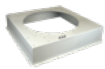
	A	B	C	D	E	α (°)	Approx. weight (Kg)
FRIDGE/FLAP-100	850	850	1125	1125	840	55	44
FRIDGE/FLAP-150	1360	1360	1635	1635	890	35	75

*AxB: Nominal panel opening dimension.
**Maximum sandwich panel thickness.

Compatibility

Flap	Smoke extractor					
FRIDGE/FLAP-100	THT/HATCH-63	HTMF-63	THT/ROOF-63	THT/WALL-63	THT-63	THT/CL-63
		HTMF-71	THT/ROOF-71	THT/WALL-71	THT-71	THT/CL-71
	THT/HATCH-80	HTMF-80	THT/ROOF-80	THT/WALL-80	THT-80	THT/CL-80
	THT/HATCH-90	HTMF-90	THT/ROOF-90	THT/WALL-90	THT-90	THT/CL-90
FRIDGE/FLAP-150	THT/HATCH-100	HTMF-100	THT/ROOF-100	THT/WALL-100	THT-100	THT/CL-100
	THT/HATCH-125	HTMF-125	THT/ROOF-125	THT/WALL-125	THT-125	THT/CL-125

Accessories



External frame for duct connection

MT



Coupling flange for axial fans

BTUB

For installations with duct, the accessory is necessary MT + BTUB

Fan size	Accessories MT	Accessories BTUB
63	MT-63	BTUB-630
71	MT-71	BTUB-710
80	MT-80	BTUB-800
90	MT-90	BTUB-900
100	MT-100	BTUB-1000
125	MT-125	BTUB-1250