

# AIRHOME ONE



High efficiency exhaust ventilation equipment designed for single-family and collective dwellings



BASIC



PREMIUM

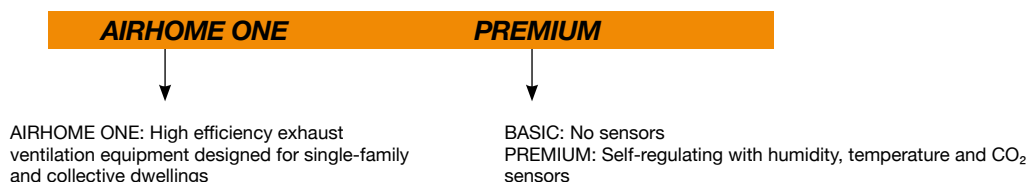
Controlled mechanical ventilation (CMV) equipment with EC Technology motor, which guarantees lower energy consumption and a lower noise level. Designed with a compact profile for efficient extraction of stale air. It is ideal for single-family and collective dwellings.

#### Characteristics:

- High efficiency EC Technology motor.
- Centrifugal fan.
- AIRHOME ONE BASIC: Three-speed motor with integrated remote control, designed to regulate the extraction of stale air efficiently.
- AIRHOME ONE PREMIUM: Variable speed motor with remote LCD controller, allowing automatic regulation based on temperature, humidity, and CO<sub>2</sub> sensor readings, optimizing stale air extraction.

- Operation compatible 50/60 Hz.
- Interior in lightweight expanded polypropylene and with low noise emissions.
- Compact, low-profile design.
- Low noise levels.
- Control compatible with the standard communication protocol, Modbus RTU.
- Interchangeable nozzles for versatility.
- Adaptable fixing system for false ceiling or wall mounting.
- Includes two sealing plugs for unused nozzles.

## Order code



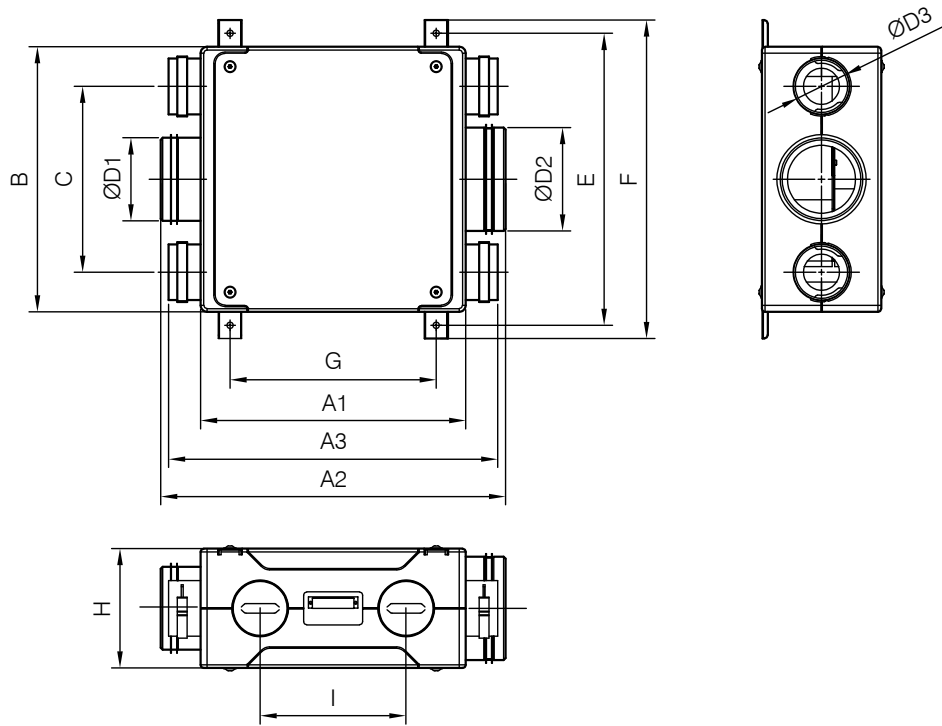
## Erp. (Energy Related Products)

Information on Directive 2009/125/EC can be downloaded from the SODECA website or the QuickFan selector programme.

## Technical characteristics

Characteristics	AIRHOME ONE BASIC	AIRHOME ONE PREMIUM
Nominal flow rate at 50 Pa (m <sup>3</sup> /h)	250	250
Electrical power (W)	45	45
Installation	False ceilings/Wall	False ceilings/Wall
Nozzles diameter	Inlet: 4 DN75 interchangeable nozzles and 1 nozzle ø125 mm Discharge: 1 nozzle ø160 mm	Inlet: 4 DN75 interchangeable nozzles and 1 nozzle ø125 mm Discharge: 1 nozzle ø160 mm
Drive type	3 speed	Variable speed
Irradiated sound pressure at maximum flow rate (1,5 m) dB (A)	41	41
Remote control	Included	Included
Compatible with MODBUS RTU	NO	YES
Sensors in stale air extraction	-	Temperature, humidity and CO <sub>2</sub>
Dimensions mm	400x400x186	400x400x186
Approx. weight (Kg)	4	4

## Dimensions mm



	A1	A2	A3	B	C	ØD1	ØD2	ØD3*	E	F	G	H	I
AIRHOME ONE BASIC	400	520	496	400	280	125	160	75	430	458	311	186	220
AIRHOME ONE PREMIUM	400	520	496	400	280	125	160	75	430	458	311	186	220

\* Recommended nominal tube diameter

## Accessories



VMC-PL



VMC-CSR



VMC-EXT



VMC-RC



BE-AC

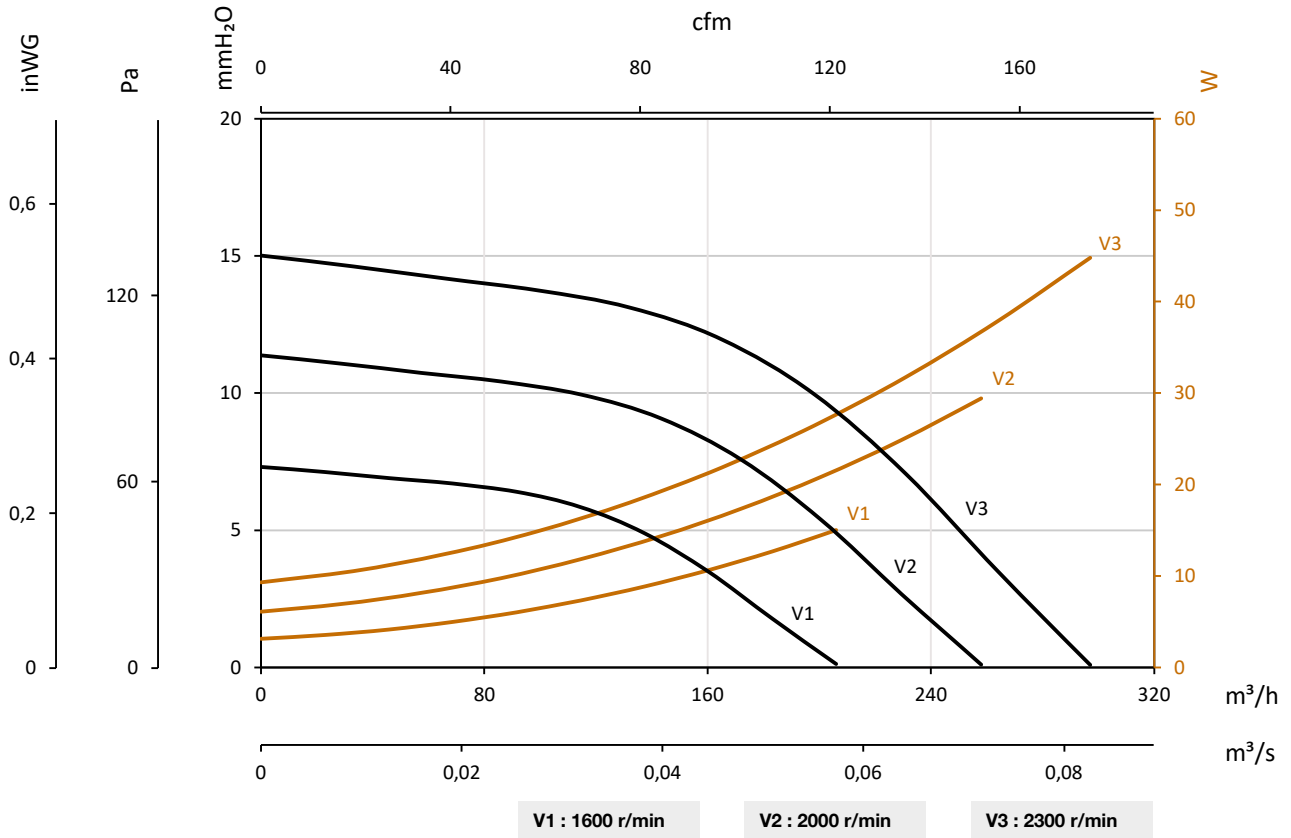
### Characteristic curves

Q= Flow rate in m<sup>3</sup>/h, m<sup>3</sup>/s and cfm

Pe= Static pressure in mm H<sub>2</sub>O, Pa and inwg

W= Electrical power

#### AIRHOME ONE BASIC



#### AIRHOME ONE PREMIUM

