

CB



Single inlet centrifugal fans with multiblade impeller.



- Fan:**
- Sheet steel casing.
 - Forward-curved impeller made of galvanised sheet steel.
- Motor:**
- IE3 efficiency motors for powers equal to or greater than 0.75 kW except single-phase, 2-speed and 8-pole.
 - Class F motors with ball bearings and IP55 protection except single-phase models, with IP54 protection.
 - Single-phase 230 V - 50 Hz and three-phase 230/400 V - 50 Hz.
 - Maximum temperature of air to be carried: -20 °C +120 °C.

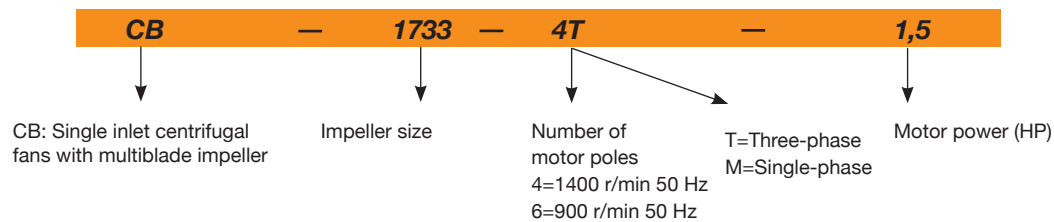
- Finish:**
- Anti-corrosive finish of polyester resin polymerised at 190 °C, previously degreased with phosphate-free nanotechnological treatment.

- On request:**
- Special windings for different voltages.



CB-2240 model version

Order code



Technical characteristics

Model	Speed (r/min)	Maximum admissible current (A)		Installed power (kW)	Maximum flow rate m3/h	Sound pressure level dB(A)	Approx. weight (kg)	According to ErP
		230 V	400 V					
CB-820-4T	1350	1.66	0.96	0.25	1875	64	12	2015
CB-820-4M	1370	2.00		0.25	1875	64	12	2015
CB-1428-4T IE3	1420	2.82	1.62	0.75	2800	69	19	2015
CB-1428-4M	1410	5.05		0.75	2800	69	18	*
CB-1428-6T	900	1.51	0.87	0.25	2000	65	16	2015
CB-1428-6M	900	2.07		0.25	2000	65	16	*
CB-1733-4T-1.5 IE3	1455	4.07	2.34	1.10	3200	74	29	2015
CB-1733-4T-2 IE3	1440	5.41	3.11	1.50	4000	75	33	2015
CB-1733-6T IE3	940	3.36	1.93	0.75	3400	68	26	2015
CB-1733-6M	900	4.97		0.75	3400	68	23	*
CB-2240-6T IE3	950	9.08	5.22	2.20	7000	74	72	2015

* Equipment not covered by Directive 2009/125/EC



Erp. (Energy Related Products)

Information on Directive 2009/125/EC can be downloaded from the SODECA website or the QuickFan selector programme.

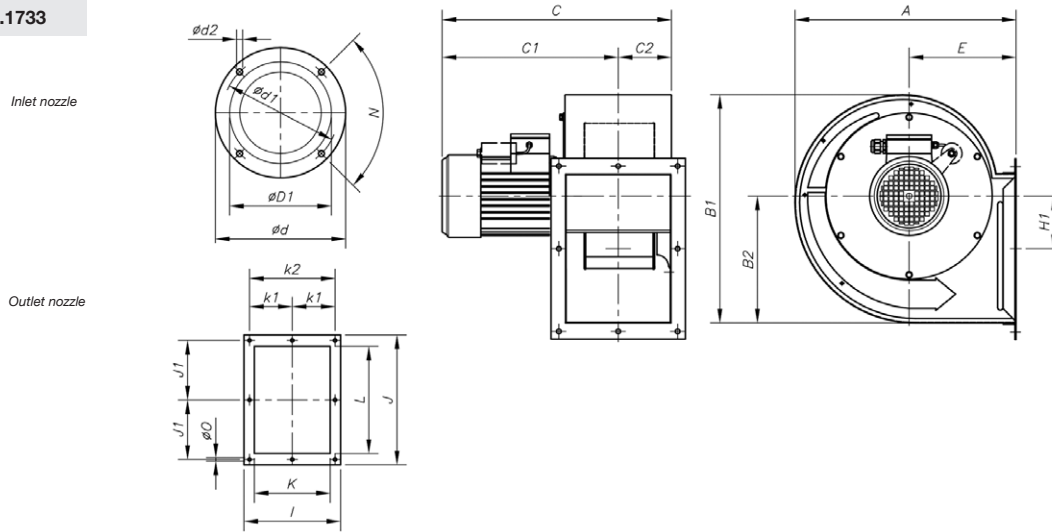
Acoustic characteristics

Sound power spectrum Lw(A) in dB(A) per Hz frequency band

Model	63	125	250	500	1000	2000	4000	8000	Model	63	125	250	500	1000	2000	4000	8000
820-4T	39	49	60	67	71	68	66	59	1733-4-2	50	60	71	78	82	79	77	70
1428-4	44	54	65	72	76	73	71	64	1733-6	43	53	64	71	75	72	70	63
1428-6	40	50	61	68	72	69	67	60	2240-6	52	61	72	79	83	81	79	72
1733-4-1,5	49	59	70	77	81	78	76	69									

Dimensions mm

CB-820...1733

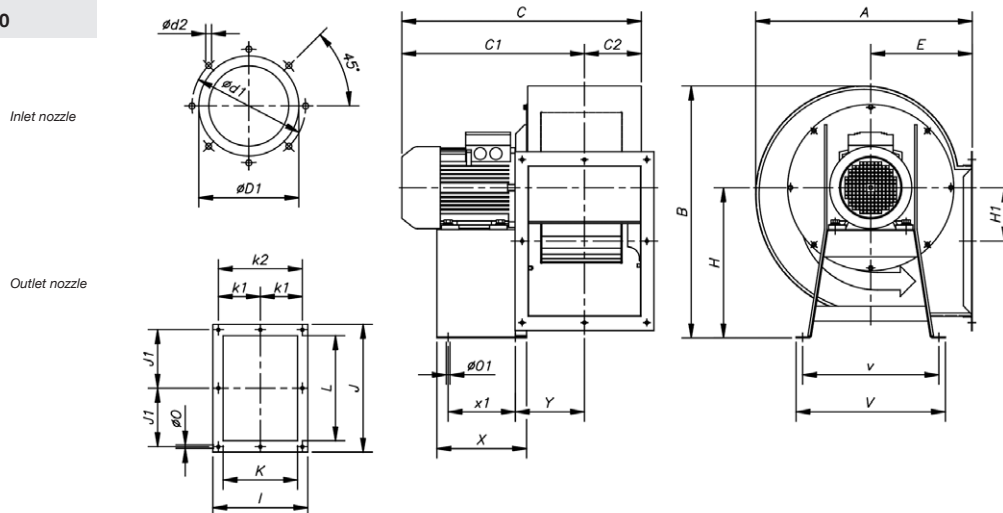


	A	B1	B2	C	C1	C2	$\phi D1^*$	ϕd	$\phi d1$	$\phi d2$	E	H1	I	J	J1	K
CB-820	321	377	222	369.5	301	68.5	200	247	230	M6	138	137	184	213	94.5	130
CB-1428	422	440	250	438	338	100	250	-	294	M6	200	104	260	350	160	198
CB-1733	492.5	523.5	291.5	522.5	398	124.5	315	-	355	M6	230	120.5	316	415	186	245

	k1	k2	L	N	ϕO
CB-820	-	160	156	4x90°	9
CB-1428	115	230	290	6x60°	9
CB-1733	140	280	340	6x60°	9

* Recommended nominal tube diameter

CB-2240



	A	B	C	C1	C2	$\phi D1^*$	ϕd	$\phi d1$	$\phi d2$	E	H	H1	I	J	J1	K
CB-2240	578	673	609.5	473	136.5	355	-	410	M6	265	402	147.5	340	478	218	270

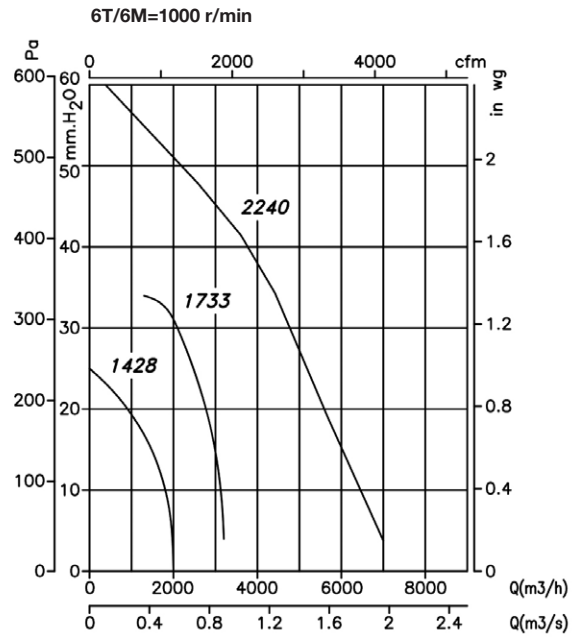
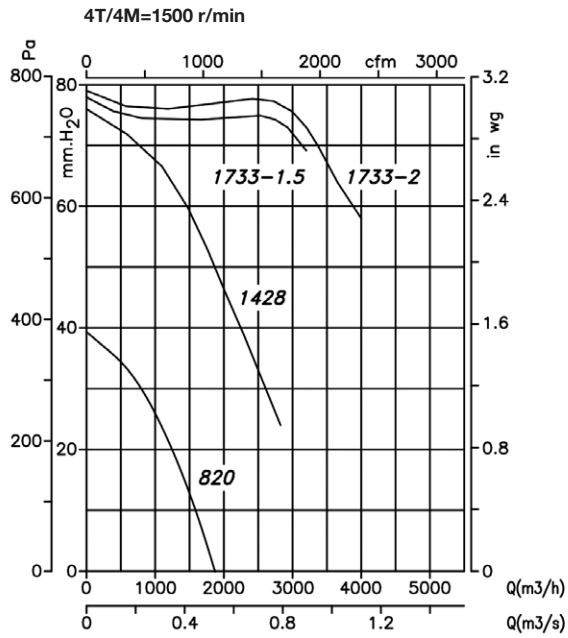
	k1	k2	L	ϕO	$\phi O1$	V	v	X	x1	Y
CB-2240	151	302	404	9	13	400	365	240	180	168.5

* Recommended nominal tube diameter

Characteristic curves

Q= Flow rate in m³/h, m³/s and cfm

Pe= Static pressure in mm H₂O, Pa and inwg



Orientation

Standard supply LG 270



Accessories

See accessories section.

