

CJTX-C

400°C/2h belt-driven double inlet extractor fan units



400°C/2h extractor fan units, with motor and transmission mounted inside the box, to operate outside the fire risk zone.

Fan:

- Galvanised sheet steel structure.
- Forward curved impeller in galvanised sheet steel.
- Approved in accordance with standard EN 12101-3, with certificate no.: 0370-CPR-0468.
- Linear airflow direction.

Motor:

- Class F motors with ball bearings, IP55 protection and with 1 or 2 speeds, depending on model.

- Motors with IE3 efficiency for powers equal to or greater than 0.75 kW, except single-phase, 2-speed and 8-pole.
- Three-phase 230/400 V 50 Hz (up to 4 kW) and 400/690 V 50 Hz (powers greater than 4 kW).
- Maximum temperature of air to be carried: S1 continuous operation -25 °C +120 °C. S2 operation, 300 °C/2h and 400 °C/2h.

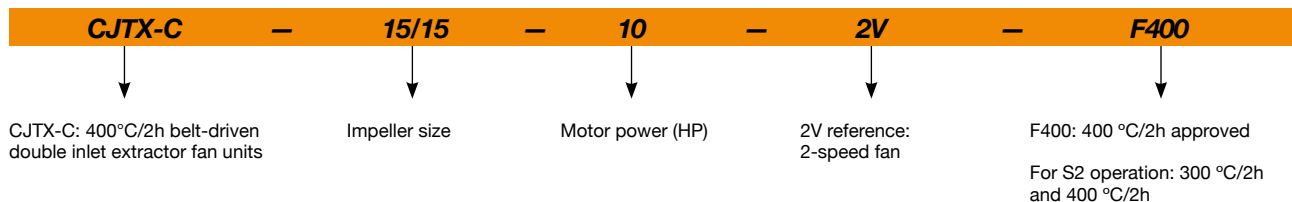
Finish:

- Anti-corrosive in galvanized steel sheet.

On request:

- Fans with vertical outlet.

Order code



Technical characteristics

Model	Speed (r/min)	Maximum admissible current (A)			Installed power (kW)	Maximum flow rate (m³/h)	Sound pressure level dB (A)	Approx. weight (Kg)
		230V	400V	690V				
CJTX-C-7/7-0.75	1400	2.92	1.69		0.55	2450	57	58
CJTX-C-7/7-0.75-2V	1400 / 695		1.70 / 0.80		0.55 / 0.19	2450 / 1220	57 / 41	58
CJTX-C-7/7-1 IE3	1600	2.82	1.62		0.75	2800	61	63
CJTX-C-7/7-1-2V	1600 / 795		2.00 / 0.90		0.75 / 0.20	2800 / 1390	61 / 46	61
CJTX-C-9/9-0.33-2V	850 / 425		0.70 / 0.30		0.25 / 0.10	2900 / 1450	48 / 32	65
CJTX-C-9/9-0.5	960	2.02	1.17		0.37	3300	51	66
CJTX-C-9/9-0.5-2V	960 / 470		1.05 / 0.50		0.37 / 0.11	3300 / 1600	51 / 36	67
CJTX-C-9/9-0.75	1060	2.92	1.69		0.55	3800	55	69
CJTX-C-9/9-1 IE3	1200	2.82	1.62		0.75	4250	58	74
CJTX-C-9/9-1.5 IE3	1340	4.07	2.34		1.10	4800	61	84
CJTX-C-9/9-2 IE3	1500	5.41	3.11		1.50	5350	65	92
CJTX-C-10/10-0.33	660	1.66	0.96		0.25	3000	44	77
CJTX-C-10/10-0.33-2V	660 / 330		0.70 / 0.30		0.25 / 0.10	3000 / 1500	44 / 29	77
CJTX-C-10/10-0.5	800	2.02	1.17		0.37	3400	49	77
CJTX-C-10/10-0.5-2V	800 / 390		1.05 / 0.50		0.37 / 0.11	3400 / 1650	49 / 34	79
CJTX-C-10/10-0.75	880	2.92	1.69		0.55	4000	54	81

Technical characteristics

Model	Speed (r/min)	Maximum admissible current (A)			Installed power (kW)	Maximum flow rate (m ³ /h)	Sound pressure level dB (A)	Approx. weight (Kg)
		230V	400V	690V				
CJTX-C-10/10-0.75-2V	880 / 440		1.70 / 0.80		0.55 / 0.19	4000 / 1990	54 / 38	81
CJTX-C-10/10-1 IE3	1000	2.82	1.62		0.75	4350	58	86
CJTX-C-10/10-1-2V	1000 / 500		2 / 0.9		0.75 / 0.20	4350 / 2160	58 / 43	84
CJTX-C-10/10-1.5 IE3	1130	4.07	2.34		1.10	5000	61	96
CJTX-C-10/10-2 IE3	1270	5.41	3.11		1.50	5450	63	102
CJTX-C-10/10-3 IE3	1450	7.93	4.56		2.20	6200	67	90
CJTX-C-12/12-0.5	600	2.02	1.17		0.37	4300	54	96
CJTX-C-12/12-0.5-2V	600 / 295		1.05 / 0.50		0.37 / 0.11	4300 / 2090	54 / 38	98
CJTX-C-12/12-0.75	700	2.92	1.69		0.55	4850	57	99
CJTX-C-12/12-0.75-2V	700 / 350		1.70 / 0.80		0.55 / 0.19	4850 / 2410	57 / 42	100
CJTX-C-12/12-1 IE3	800	2.82	1.62		0.75	5250	60	105
CJTX-C-12/12-1-2V	800 / 400		2.00 / 0.90		0.75 / 0.20	5250 / 2610	60 / 45	103
CJTX-C-12/12-1.5 IE3	880	4.07	2.34		1.10	6150	63	115
CJTX-C-12/12-1.5-2V	880 / 435		2.90 / 1.30		1.10 / 0.25	6150 / 3030	63 / 48	104
CJTX-C-12/12-2 IE3	1020	5.41	3.11		1.50	6600	67	121
CJTX-C-12/12-3 IE3	1140	7.93	4.56		2.20	7600	69	108
CJTX-C-12/12-4 IE3	1250	10.70	6.15		3.00	8550	71	120
CJTX-C-15/15-0.75	530	2.92	1.69		0.55	6000	47	126
CJTX-C-15/15-0.75-2V	530 / 260		1.60 / 0.65		0.55 / 0.09	6000 / 2900	47 / 31	126
CJTX-C-15/15-1 IE3	560	2.82	1.62		0.75	7000	50	131
CJTX-C-15/15-1.5 IE3	630	4.07	2.34		1.10	8050	54	142
CJTX-C-15/15-2 IE3	700	5.41	3.11		1.50	8900	58	149
CJTX-C-15/15-3 IE3	800	7.93	4.56		2.20	10100	64	136
CJTX-C-15/15-4 IE3	880	10.70	6.15		3.00	11350	65	149
CJTX-C-15/15-5.5 IE3	970	13.90	8.00		4.00	12600	68	147
CJTX-C-18/18-1 IE3	460	2.82	1.62		0.75	10100	48	164
CJTX-C-18/18-1-2V	460 / 215		2.20 / 0.87		0.75 / 0.15	10100 / 4700	48 / 31	163
CJTX-C-18/18-1.5 IE3	510	4.07	2.34		1.10	11800	52	175
CJTX-C-18/18-1.5-2V	510 / 255		3.00 / 1.15		1.10 / 0.18	11800 / 5840	52 / 36	165
CJTX-C-18/18-2 IE3	540	5.41	3.11		1.50	13800	55	183
CJTX-C-18/18-2-2V	540 / 265		4.60 / 1.90		1.50 / 0.25	13800 / 6690	55 / 39	167
CJTX-C-18/18-3 IE3	610	7.93	4.56		2.20	15850	60	171
CJTX-C-18/18-3-2V	610 / 305		5.60 / 2.20		2.20 / 0.37	15850 / 7920	60 / 45	173
CJTX-C-18/18-4 IE3	680	10.70	6.15		3.00	17600	64	182
CJTX-C-18/18-4-2V	680 / 340		9.00 / 3.50		3.00 / 0.55	17600 / 8800	64 / 49	180
CJTX-C-18/18-5.5 IE3	750	13.90	8.00		4.00	19450	68	180
CJTX-C-18/18-5.5-2V	750 / 375		11.00 / 4.00		4.00 / 0.65	19450 / 9620	68 / 52	184
CJTX-C-18/18-7.5 IE3	850		10.30	5.97	5.50	21350	72	211
CJTX-C-18/18-7.5-2V	850 / 425		13.20 / 5.30		5.50 / 1.00	21350 / 10560	72 / 57	204
CJTX-C-18/18-10 IE3	930		13.90	8.06	7.50	24000	75	218
CJTX-C-20/20-2 IE3	450	5.41	3.11		1.50	14000	53	284
CJTX-C-20/20-3 IE3	530	7.93	4.56		2.20	15800	59	271
CJTX-C-20/20-4 IE3	580	10.70	6.15		3.00	17950	63	282
CJTX-C-20/20-5.5 IE3	660	13.90	8.00		4.00	19050	67	281
CJTX-C-20/20-7.5 IE3	740		10.30	5.97	5.50	21150	68	312
CJTX-C-20/20-10 IE3	815		13.90	8.06	7.50	23650	70	320
CJTX-C-22/22-2 IE3	380	5.41	3.11		1.50	16000	52	326
CJTX-C-22/22-2-2V	380 / 185		4.60 / 1.90		1.50 / 0.25	16000 / 7750	52 / 37	310
CJTX-C-22/22-3 IE3	430	7.93	4.56		2.20	18400	56	313
CJTX-C-22/22-3-2V	430 / 215		5.60 / 2.20		2.20 / 0.37	18400 / 9200	56 / 41	316
CJTX-C-22/22-4 IE3	480	10.70	6.15		3.00	20350	60	325
CJTX-C-22/22-5.5 IE3	520	13.90	8.00		4.00	23250	64	325
CJTX-C-22/22-7.5 IE3	580		10.30	5.97	5.50	25950	68	356
CJTX-C-22/22-10 IE3	650		13.90	8.06	7.50	28250	71	362

Technical characteristics

Model	Speed (r/min)	Maximum admissible current (A)			Installed power (kW)	Maximum flow rate (m³/h)	Sound pressure level dB (A)	Approx. weight (Kg)
		230V	400V	690V				
CJTX-C-22/22-15 IE3	740		20.90	12.10	11.00	31950	73	383
CJTX-C-22/22-20 IE3	780		27.90	16.20	15.00	34000	75	441
CJTX-C-25/25-3 IE3	340	7.93	4.56		2.20	21550	60	370
CJTX-C-25/25-3-2V	340 / 170		5.60 / 2.20		2.20 / 0.37	21550 / 10780	60 / 45	372
CJTX-C-25/25-4 IE3	380	10.70	6.15		3.00	23850	64	381
CJTX-C-25/25-4-2V	380 / 190		9.00 / 3.50		3.00 / 0.55	23850 / 11920	64 / 49	379
CJTX-C-25/25-5.5 IE3	420	13.90	8.00		4.00	26300	69	379
CJTX-C-25/25-5.5-2V	420 / 210		11.00 / 4.00		4.00 / 0.65	26300 / 13010	69 / 53	383
CJTX-C-25/25-7.5 IE3	470		10.30	5.97	5.50	29250	69	416
CJTX-C-25/25-7.5-2V	470 / 235		13.20 / 5.30		5.50 / 1.00	29250 / 14470	69 / 53	409
CJTX-C-25/25-10 IE3	510		13.90	8.06	7.50	33150	71	417
CJTX-C-25/25-10-2V	510 / 255		16.90 / 5.50		7.50 / 1.30	33150 / 16490	71 / 56	412
CJTX-C-25/25-15 IE3	570		20.90	12.10	11.00	38300	74	444
CJTX-C-25/25-15-2V	570 / 285		23.20 / 8.70		11.00 / 2.80	38300 / 19050	74 / 59	450
CJTX-C-25/25-20 IE3	630		27.90	16.20	15.00	38750	77	499
CJTX-C-30/28-3 IE3	250	7.93	4.56		2.20	25550	55	503
CJTX-C-30/28-3-2V	250 / 125		5.60 / 2.20		2.20 / 0.37	25550 / 12780	55 / 40	507
CJTX-C-30/28-4 IE3	280	10.70	6.15		3.00	28250	60	521
CJTX-C-30/28-4-2V	280 / 140		9.00 / 3.50		3.00 / 0.55	28250 / 14120	60 / 45	519
CJTX-C-30/28-5.5 IE3	340	13.90	8.00		4.00	28750	64	519
CJTX-C-30/28-5.5-2V	340 / 170		11.00 / 4.00		4.00 / 0.65	28750 / 14230	64 / 49	523
CJTX-C-30/28-7.5 IE3	360		10.30	5.97	5.50	33600	69	553
CJTX-C-30/28-7.5-2V	360 / 180		13.20 / 5.30		5.50 / 1.00	33600 / 16630	69 / 54	546
CJTX-C-30/28-10 IE3	410		13.90	8.06	7.50	36400	74	561
CJTX-C-30/28-10-2V	410 / 205		16.90 / 5.50		7.50 / 1.30	36400 / 18110	74 / 59	556
CJTX-C-30/28-15 IE3	480		20.90	12.10	11.00	40250	74	582
CJTX-C-30/28-15-2V	480 / 240		23.20 / 8.70		11.00 / 2.80	40250 / 20020	74 / 59	588
CJTX-C-30/28-20 IE3	520		27.90	16.20	15.00	45600	77	644
CJTX-C-30/28-20-2V	520 / 260		31.72 / 11.75		15.00 / 3.80	45600 / 22680	77 / 62	616
CJTX-C-30/28-25 IE3	550		35.10	20.30	18.50	49500	79	641
CJTX-C-30/28-25-2V	550 / 275		33.00 / 11.00		17.00 / 3.40	49500 / 24620	79 / 64	643



Erp. (Energy Related Products)

Information on Directive 2009/125/EC can be downloaded from the SODECA website or the QuickFan selector programme.

Accessories



INT



IAT



C2V



RPA



B



BD



BIC



ACE ACE/400



CABLE BOX



AET



CENTRAL CO



VSD3/A-RFT
- VSD1/A-RFM



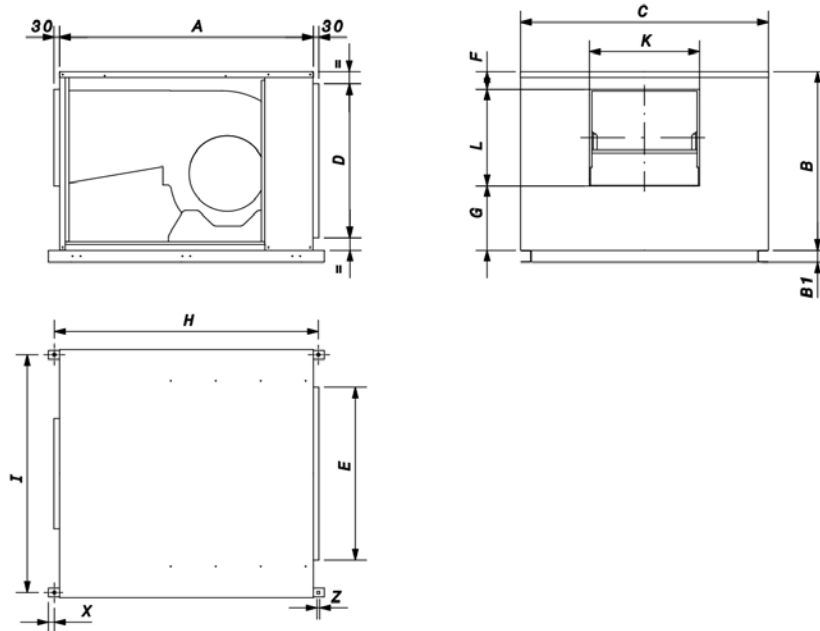
TEJ



VIS

Dimensions mm

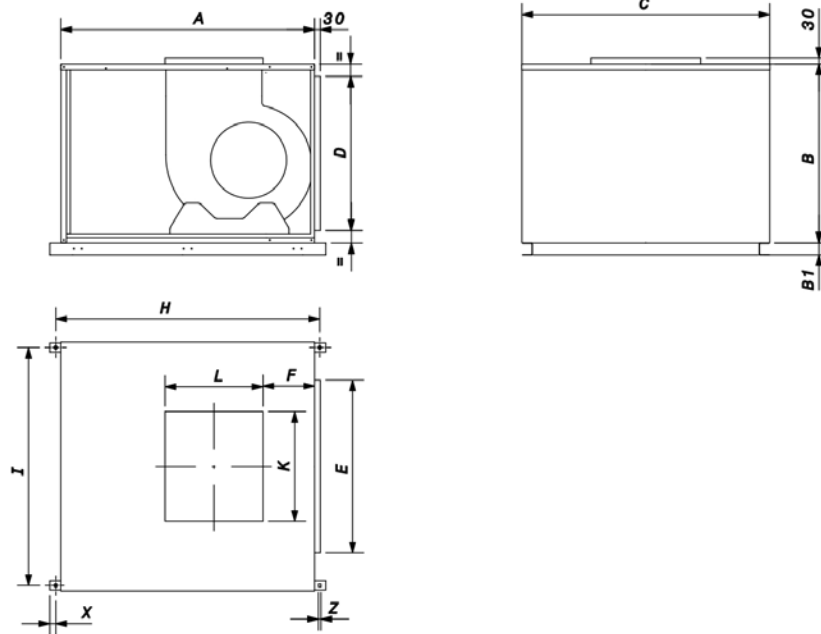
Standard supply horizontal impulsion
(H) LG 90



	A	B	B1	C	D	E	F	G	H	I	K	L	X	Z
CJTX-C-7/7	700	480	-	730	354	470	62	202	724	690	239	216	12	9
CJTX-C-9/9	785	592	-	759	466	490	92	226	812	721	310	270	12	9
CJTX-C-10/10	860	618	-	825	492	520	87	235	884	787	334	296	12	9
CJTX-C-12/12	970	680	-	945	554	620	80	250	995	896	395	350	12	9
CJTX-C-15/15	1100	776	-	1100	650	720	80	285	1124	1062	483	411	12	9
CJTX-C-18/18	1278	900	60	1250	774	870	90	325	1328	1197	552	486	30.3	13
CJTX-C-20/20	1495	1050	60	1474	954	1100	100	336	1555	1419	618	615	32.5	13
CJTX-C-22/22	1640	1180	60	1625	954	1100	125	350	1711	1570	665	705	22	13
CJTX-C-25/25	1800	1300	60	1825	1174	1450	125	369	1871	1770	780	806	22	13
CJTX-C-30/28	2000	1525	60	2134	1399	1760	118	465	2060	2085	900	942	20	13

Dimensions mm

Vertical impulsion on request
(V) LG 0

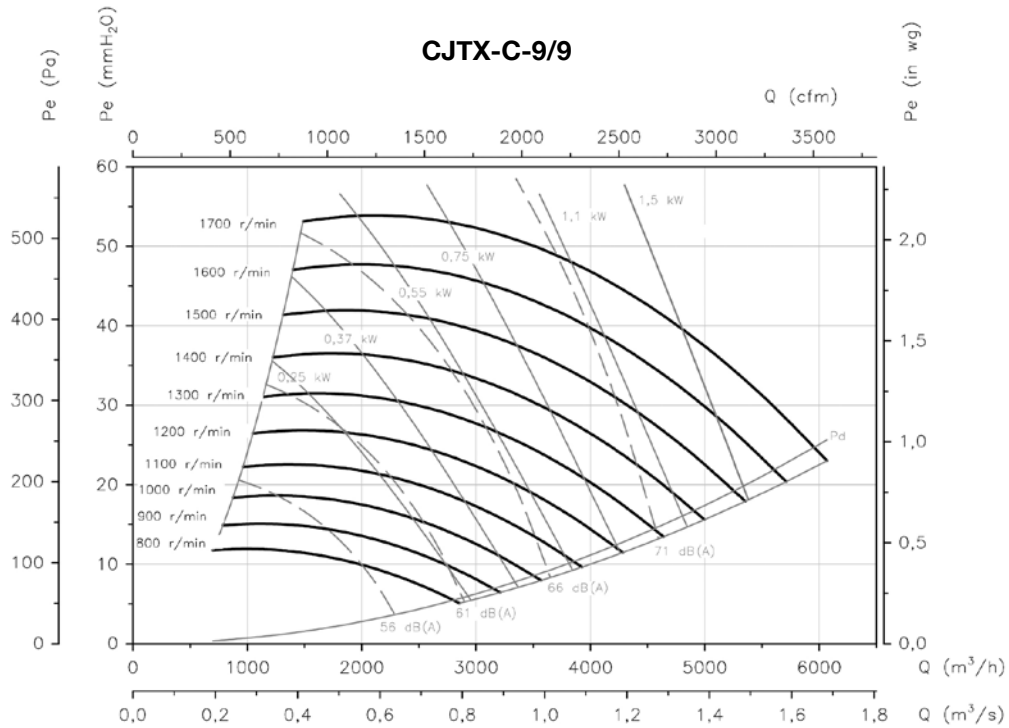
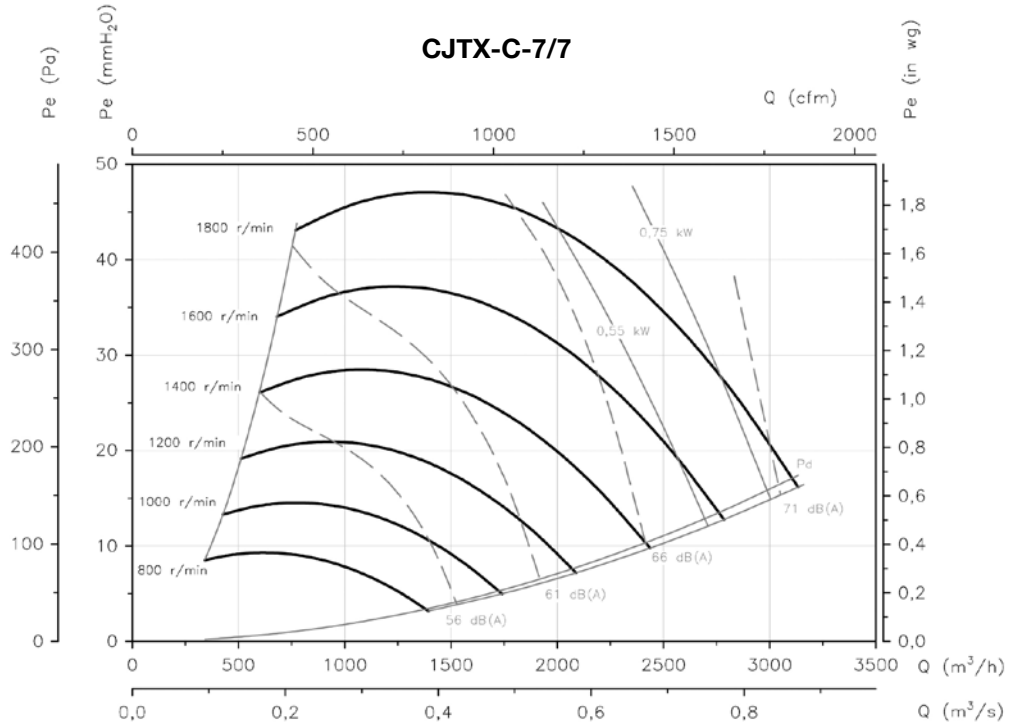


	A	B	B1	C	D	E	F	H	I	K	L	X	Z
CJTX-C-7/7	700	480	-	730	354	470	186	724	690	239	219	12	9
CJTX-C-9/9	785	592	-	759	466	490	170	812	721	305	272	12	9
CJTX-C-10/10	860	618	-	825	492	520	161	884	787	333	300	12	9
CJTX-C-12/12	970	680	-	945	554	620	202	995	896	397	355	12	9
CJTX-C-15/15	1100	776	-	1100	650	720	220	1124	1062	485	415	12	9
CJTX-C-18/18	1278	900	60	1250	774	870	259	1328	1197	550	495	30.3	13
CJTX-C-20/20	1495	1050	60	1474	954	1100	312	1555	1419	617	611	32.5	13
CJTX-C-22/22	1640	1180	60	1625	954	1100	307	1711	1570	666	705	22	13
CJTX-C-25/25	1800	1300	60	1825	1174	1450	334	1871	1770	775	808	22	13
CJTX-C-30/28	2000	1525	60	2134	1399	1760	417	2060	2085	900	947	20	13

Characteristic curves

Q= Flow rate in m³/h, m³/s and cfm

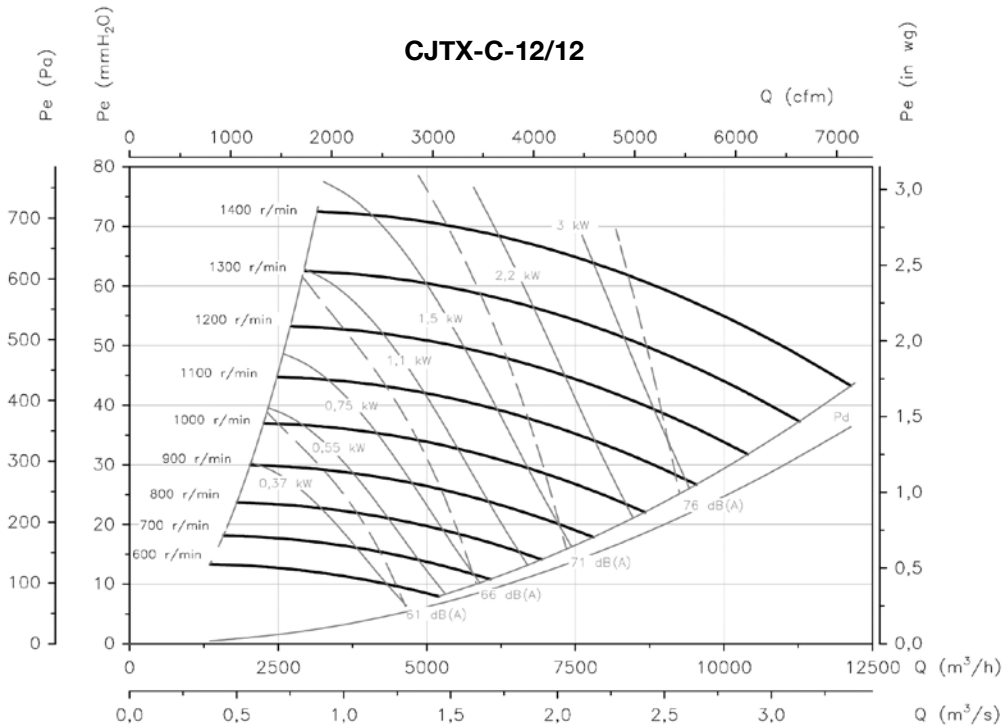
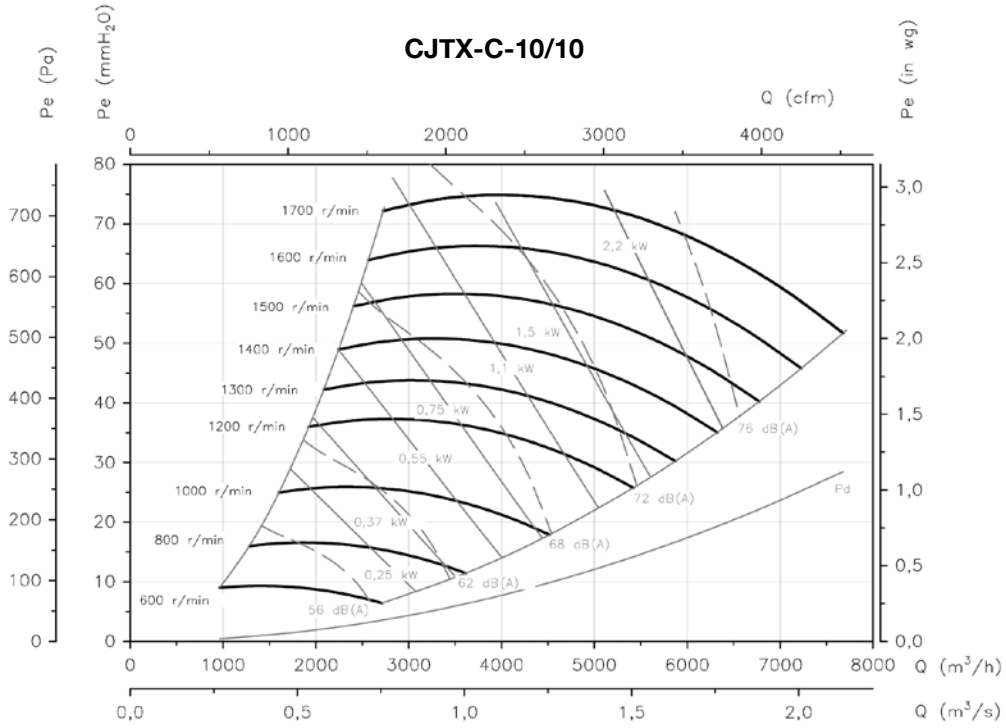
Pe= Static pressure in mm H₂O, Pa and inwg



Characteristic curves

Q= Flow rate in m³/h, m³/s and cfm

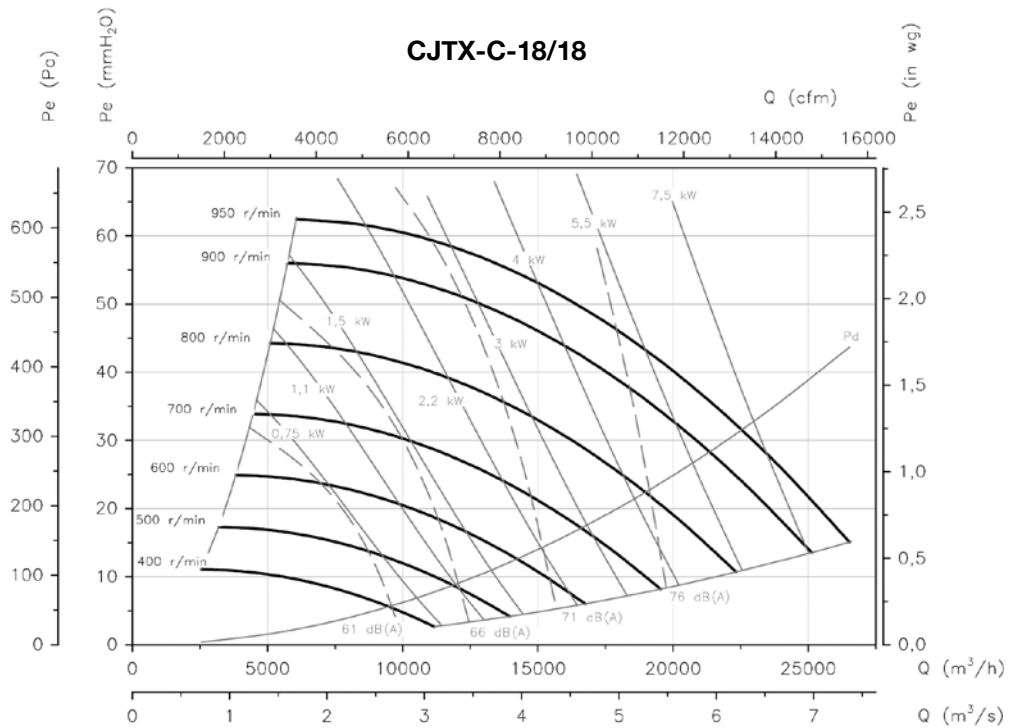
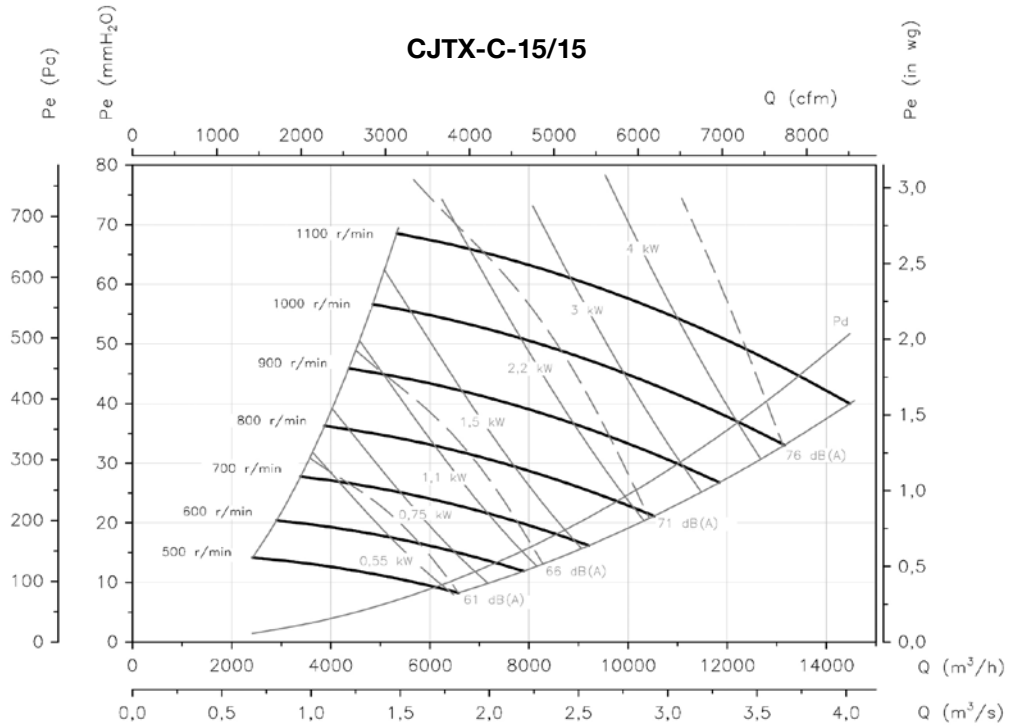
Pe= Static pressure in mm H₂O, Pa and inwg



Characteristic curves

Q= Flow rate in m³/h, m³/s and cfm

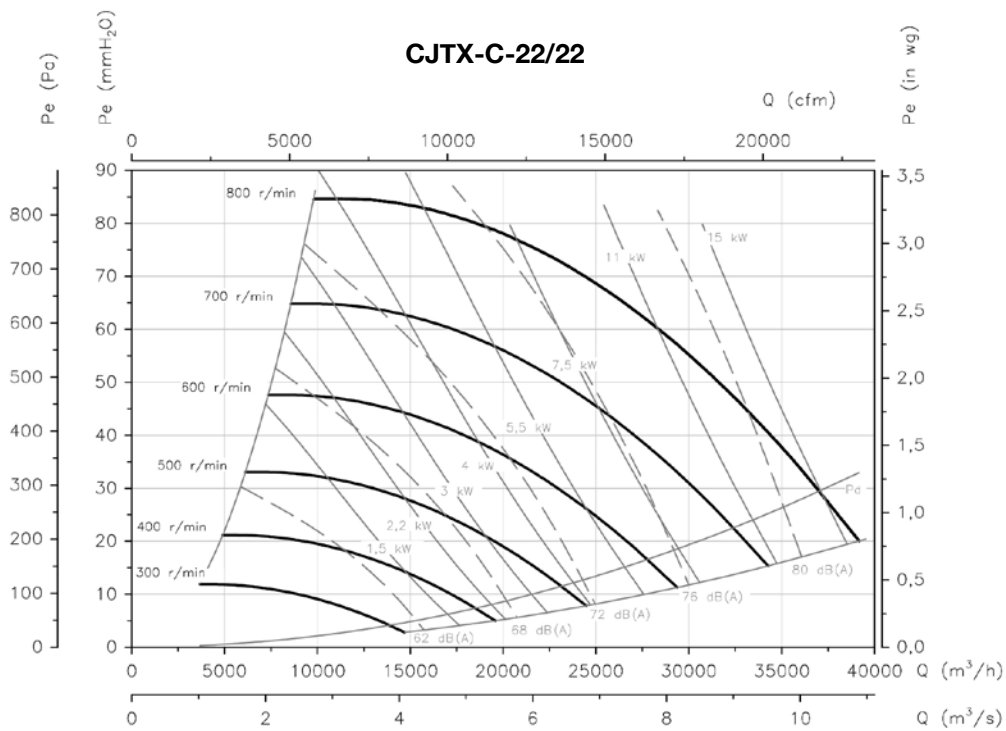
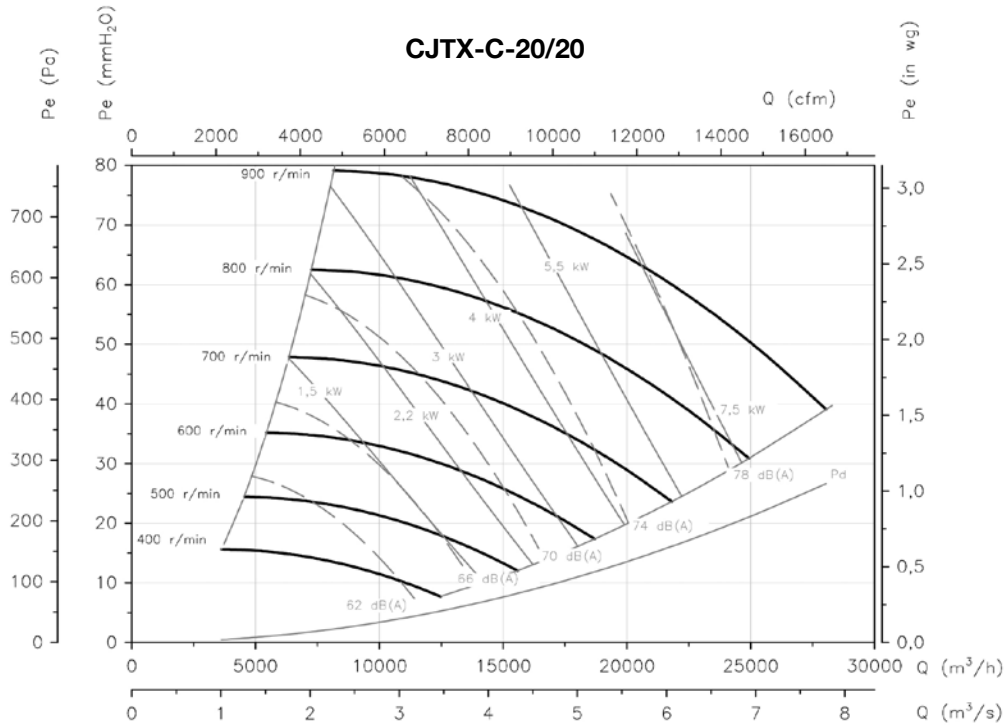
Pe= Static pressure in mm H₂O, Pa and inwg



Characteristic curves

Q= Flow rate in m³/h, m³/s and cfm

Pe= Static pressure in mm H₂O, Pa and inwg



Characteristic curves

Q= Flow rate in m³/h, m³/s and cfm

Pe= Static pressure in mm H₂O, Pa and inwg

