

KIT BOXPRES PLUS



Pressurisation system for stairs or evacuation routes. Maintains a differential pressure of 50 Pa in a single stage, designed according to the European standard EN 12101-6



The correct operation of the pressurisation systems depends not only on their sound design, but also on the correct regulation performed by the system. For this reason, it is extremely important to have calibrated, high precision regulation elements that will permit both situations present in the event of a fire to be maintained simultaneously, quickly and stably.

KIT BOXPRES PLUS

- Staircase overpressure kit comprised of a control panel (BOXPRES PLUS) and an impulsion unit (CJHCH or CJBD), for pressurising staircases and evacuation routes.

KIT BOXPRES PLUS II

- Overpressure kit with standby fan comprised of a control panel (BOXPRES PLUS II) with a built-in automatic

switching system that maintains the overpressure in the event of the main fan failure.

CM-SMART External control panel for firefighters

- The CM-SMART indicates the system status and provides firefighters with the option of manually turning the system on or off via its selector switch. We recommend that this panel be installed at the main entry point to the protected area.
- This unit is not included in the KIT BOXPRES PLUS.
- The BOXPRES PLUS and BOXPRES PLUS II models are compatible with CM-SMART.



- Easy to install.
- A compact, autonomous solution.
- Easy start-up.
- Safe, functional installation.

Order code

KIT BOXPRES PLUS – 7100 – 230

KIT BOXPRES PLUS: Overpressure unit
KIT BOXPRES PLUS II: Overpressure unit with standby fan

Maximum flow rate (m³/h)

230: Single-phase 200 to 240 V 50/60 Hz input
400: Three-phase 380 to 480 V 50/60 Hz input

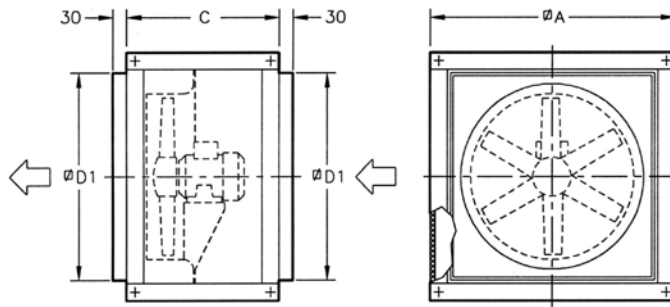
Technical characteristics

Model	Power (kW)	Power supply (V) (Hz)	Outlet (V)	Maximum flow rate (m ³ /h)	Impulsion unit
KIT BOXPRES PLUS-2880 - 230	0.37	200 a 240 V 50/60 Hz	230 V 50/60 Hz	2880	CJBD-2828-4M 1/2
KIT BOXPRES PLUS-7100 - 230	0.37	200 a 240 V 50/60 Hz	230 V 50/60 Hz	7100	CJHCH-45-4T-0.5 IE3
KIT BOXPRES PLUS-7800 - 230	1.10	200 a 240 V 50/60 Hz	230 V 50/60 Hz	7800	CJBD-3333-6T 1 1/2
KIT BOXPRES PLUS-12900 - 230	0.75	200 a 240 V 50/60 Hz	230 V 50/60 Hz	12900	CJHCH-56-4T-1 IE3
KIT BOXPRES PLUS-17000 - 230	1.10	200 a 240 V 50/60 Hz	230 V 50/60 Hz	17000	CJHCH-63-4T-1.5 IE3
KIT BOXPRES PLUS-7800 - 400	1.10	380 a 480 V 50/60 Hz	400 V 50/60 Hz	7800	CJBD-3333-6T 1 1/2
KIT BOXPRES PLUS-12900 - 400	0.75	380 a 480 V 50/60 Hz	400 V 50/60 Hz	12900	CJHCH-56-4T-1 IE3
KIT BOXPRES PLUS-17000 - 400	1.10	380 a 480 V 50/60 Hz	400 V 50/60 Hz	17000	CJHCH-63-4T-1.5 IE3
KIT BOXPRES PLUS-21100 - 400	1.50	380 a 480 V 50/60 Hz	400 V 50/60 Hz	22100	CJHCH-71-4T-2 IE3

The output power is reduced by 20% when the equipment is operating in the lower power supply voltage range. The same models may be supplied with the KIT BOXPRES PLUS II for standby fan (a second impulsion unit is added that is equivalent to that of the KIT BOXPRES PLUS).

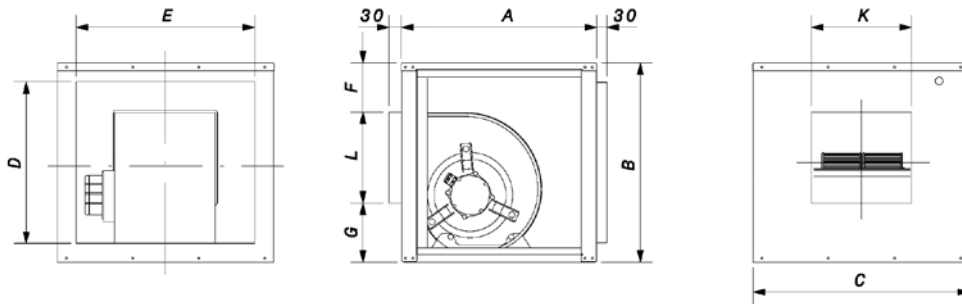
Dimensions mm

CJHCH



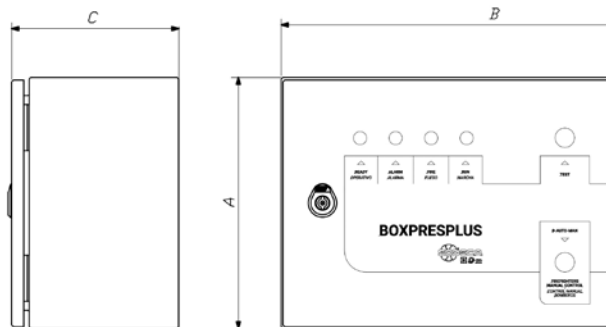
	ØA	C	ØD1
CJHCH-45	700	550	565
CJHCH-56/63	825	550	690
CJHCH-71	1000	650	850

CJBD



	Equivalence inches	A	B	C	D	E	F	G	K	L
CJBD-2828	10/10	550	575	600	479	504	104	177	330	294
CJBD-3333	12/12	650	650	700	554	604	105	198	392	347

BOXPRES PLUS



Size	A	B	C
1	300	400	200
2	400	500	250
3	400	600	250
4	500	700	250