

COMERCIAL

Air curtains for commercial doors



BASIC



COMFORT

Perfect combination between innovation and design, offering a perfect and silent air curtain with impulsion through an adjustable diffuser, to obtain an optimal air direction.

Construction:

- Metal structure painted in RAL-9016 polyester.
- Widths of 1, 1.5, 2 and 2.5 m.
- Horizontal installation.
- Brackets for wall mounting included.
- Outlet grill with adjustable inclination.
- Door height up to 3 metres.

Fan:

- 3 speed for flow rate adjustment.

Battery version:

- S: Environmental. Air recirculation.
- E: Electric. Control of the electric battery with up to 2 stages.
- V: Water. Hot water batteries.

Control version:

- BA: BASIC. Manual selector for wall installation.
- CO-MA: COMFORT-MASTER. Advanced digital selector for wall installation.

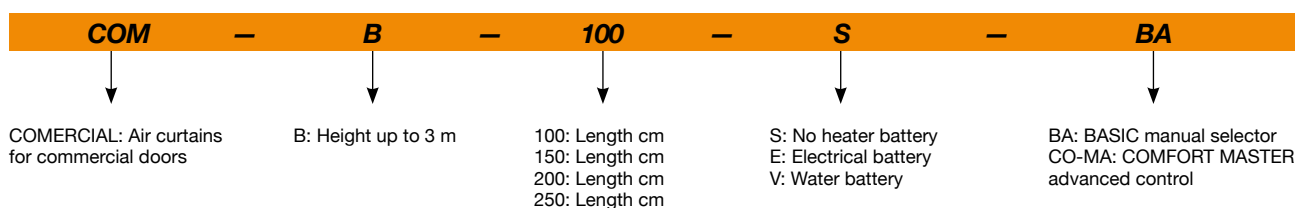
On request:

- Air curtains with COMFORT 'SLAVE' control only to interconnect a maximum of 10 'SLAVE' curtains to a 'MASTER' main curtain.

Control options

Control type	BASIC	BASIC	BASIC	COMFORT	COMFORT	COMFORT
Battery type	S	V	E	S	V	E
Electric battery control accessory	-	-	TER-P	-	-	TER-P
Water battery control accessory	-	TER-P + 3-way valve	-	-	TER-P + 3-way valve	-
Door contact control accessory	DS	DS	DS	DS / DK-B-3	DS / DK-B-3	DS / DK-B-3
External control voltage free contact	Door contact	Door contact	Door contact	Dedicated contact	Dedicated contact	Dedicated contact
Alarm contact	-	-	-	YES	YES	YES
Programmer	SH-TM-848	SH-TM-848	SH-TM-848	Integrated	Integrated	Integrated
Battery overheating protection	-	-	YES	-	-	YES
Antifreeze protection	-	-	-	-	YES	-
Interconnection curtains	-	-	-	Max. 11 units	Max. 11 units	Max. 11 units
MODBUS RTU communication	-	-	-	YES	YES	YES
Remote control connection	Max. power cable 100 meters			UTP cable 4 wires max. 40 meters		
Possibility of additional control	-	-	-	YES	YES	YES
Power cables	2 + ground	2 + ground	4 + ground	2 + ground	2 + ground	4 + ground

Order code



Technical characteristics

Model	Height door	Maximum flow rate	Sound pressure level ¹	Power equipment	Equipment consumption	Motor consumption	Heater power (kW)		Increase temperature	Approx. weight
	(m)	(m ³ /h)	dB (A)	(V) / (Hz)	(kW) / (l)	(W) / (l)	1st stage	max.	(°C)	(Kg)
COM-B-100-S	3	1350	48	1x230 - 50/60	0.1 / 0.6	100 / 0.6	-	-	-	22
COM-B-150-S	3	2200	50	1x230 - 50/60	0.2 / 0.9	200 / 0.9	-	-	-	28
COM-B-200-S	3	3000	51	1x230 - 50/60	0.3 / 1.4	300 / 1.4	-	-	-	36
COM-B-250-S	3	3500	52	1x230 - 50/60	0.4 / 1.4	400 / 1.4	-	-	-	42
COM-B-100-E	3	1350	48	3x400 - 50/60	6.5 / 14.4	140 / 0.6	3.2	6.3	13.9	23
COM-B-150-E	3	2200	50	3x400 - 50/60	10.2 / 21.3	210 / 0.9	5.0	10.0	13.5	29
COM-B-200-E	3	3000	51	3x400 - 50/60	12.9 / 27.9	322 / 1.4	6.3	12.6	12.5	37
COM-B-250-E	3	3500	52	3x400 - 50/60	16.7 / 26.0	322 / 1.4	8.2	16.3	13.8	44
COM-B-100-V	3	1300	47	1x230 - 50/60	0.2 / 0.6	200 / 0.6	-	16.0	36.4	25
COM-B-150-V	3	2000	49	1x230 - 50/60	0.2 / 0.9	200 / 0.9	-	23.6	35.0	31
COM-B-200-V	3	2950	51	1x230 - 50/60	0.3 / 1.4	300 / 1.4	-	34.0	34.1	41
COM-B-250-V	3	3700	52	1x230 - 50/60	0.4 / 1.4	400 / 1.4	-	42.9	34.3	48

1. Sound pressure level in dB(A) at a distance of 3 m and at maximum flow rate.

Water battery technical characteristics and 3-way valves accessories

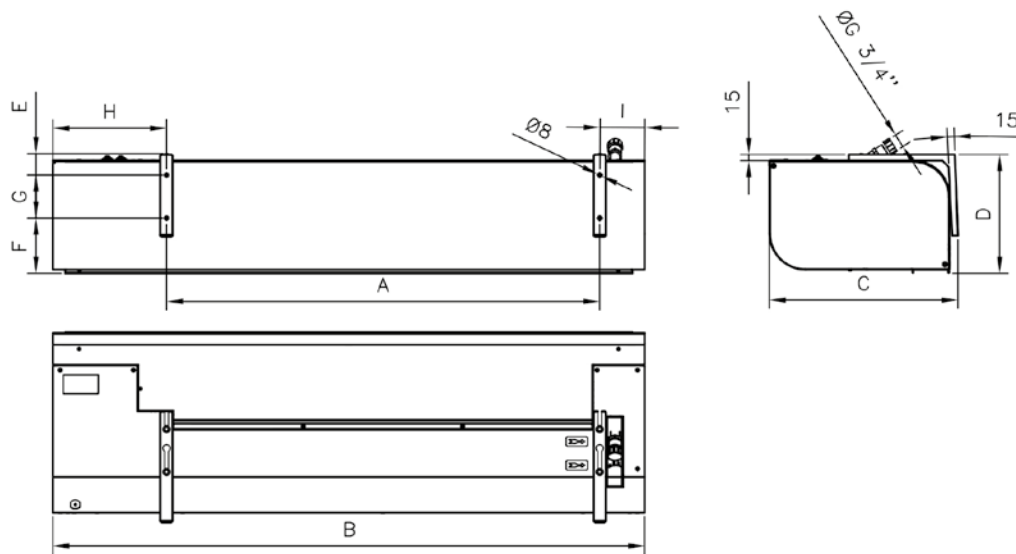
Model	Temperature gradient 80/60 °C					Temperature gradient 60/40 °C					3-way valve accessory
	Airflow ref.	Heat power	Outlet temperature	Loss of load	Water level	Heat power	Outlet temperature	Loss of load	Water level		
	(m ³ /h)	(kW)	(°C) ¹	(kPa)	(l/s)	(kW)	(°C) ¹	(kPa)	(l/s)		
COM-B-100-V	1300	13.2	48.0	10.5	0.16	7.4	34.9	3.8	0.09	ZV-3	
COM-B-150-V	2000	19.4	46.7	7.3	0.24	10.8	33.9	2.5	0.13	ZV-3	
COM-B-200-V	2950	27.9	46.0	10.2	0.34	15.6	33.7	3.5	0.19	ZV-3	
COM-B-250-V	3700	35.3	46.3	17.2	0.43	20.1	34.0	6.2	0.24	ZV-3	

1. Air inlet temperature: +18 °C, at maximum heating and fan speed.

Air speed and range

Model	0,5 m	1 m	2 m	3 m	4 m
COM-B	7.2 m/s	5.1 m/s	3.5 m/s	2.9 m/s	2.7 m/s

Dimensions mm



	A	B	C	D	E	F	G	H	I
COM-100	916	1252	407	252	51	111	90	240	95
COM-150	1325	1660	407	252	51	111	90	240	95
COM-200	1825	2160	407	252	51	111	90	240	95
COM-250	2235	2570	407	252	51	111	90	240	95

Accessories



CONTACTO
PUERTAS



TER-P



ZV