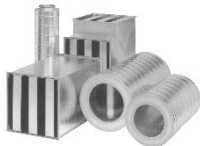


S

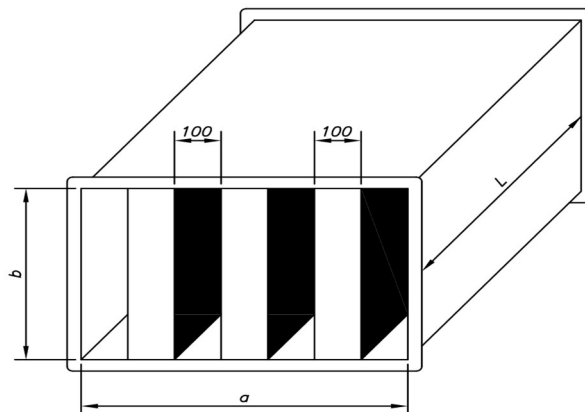
Silenciadores para acoplar à aspiração ou impulsão



Caraterísticas:

- Silenciadores circulares ou rectangulares para acoplar à aspiração ou à impulsão de ventiladores centrífugos ou axiais.

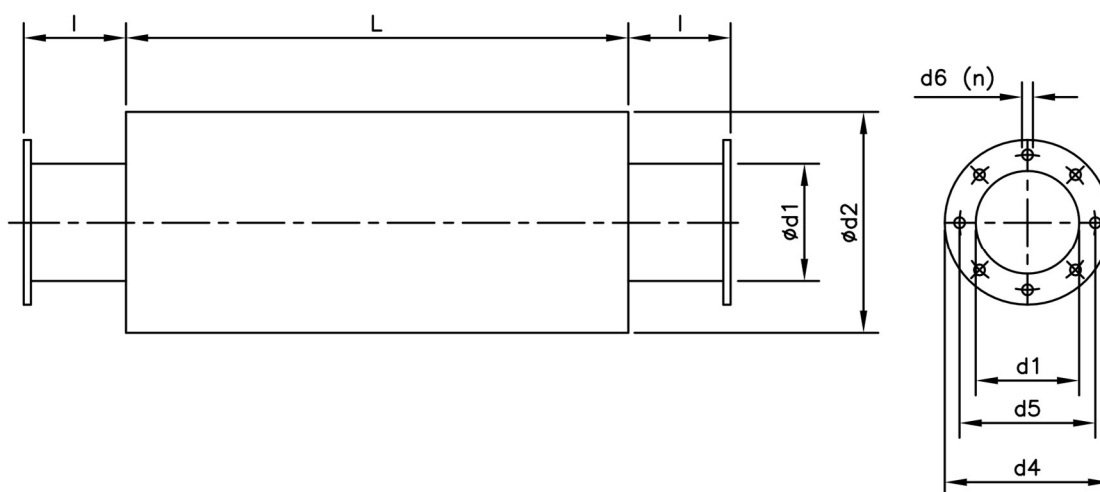
Aspiração / Impulsão (Amarra rectangular)



Amortecimento de substituição (dB) em banda de oitavas (Hz)

Modelo	L	a	b	Kg	Amortecimento de substituição (dB) em banda de oitavas (Hz)						Aplicável a
					125	250	500	1000	2000	4000	
SR-1000/900/900	900	1000	900	74	4	10	21	37	44	37	THT / HCH / HCT-63
SR-1200/900/900	900	1200	900	77	4	10	21	37	44	37	THT / HCH / HCT-71
SR-1400/1200/900	900	1400	1200	100	4	12	25	41	47	42	THT / HCH / HCT-80
SR-1800/1200/1200	1200	1800	1200	141	4	12	25	41	47	42	THT / HCH / HCT-90
SR-1800/1500/1200	1200	1800	1504	168	4	12	25	41	47	42	THT / HCH / HCT-100

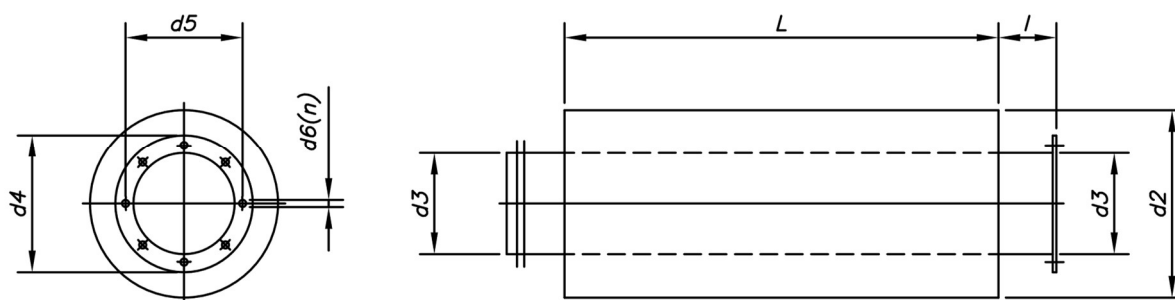
Aspiração / Impulsão (Amarra circular)



Amortecimento de substituição (dB) em banda de oitavas (Hz)

Modelo	L	d1	d2	l	d4	d5	d6	n	Kg	Amortecimento de substituição (dB) em banda de oitavas (Hz)					Aplicável a	
										125	250	500	1000	2000		4000
SC-630/900	900	630	800	100	720	690	12	12x30°	51	5	8	14	12	13	9	THT / HCH / HCT-63
SC-710/900	900	710	900	100	800	770	12	16x22°30'	60	5	8	13	11	12	8	THT / HCH / HCT-71
SC-800/900	900	800	1000	100	900	860	12	16x22°30'	69	4	8	11	9	9	8	THT / HCH / HCT-80
SC-900/1200	1200	900	1120	100	1000	970	15	16x22°30'	100	5	7	11	11	7	5	THT / HCH / HCT-90
SC-1000/1200	1200	1000	1200	100	1100	1070	15	16x22°30'	106	4	7	11	10	7	6	THT / HCH / HCT-100

Aspiração

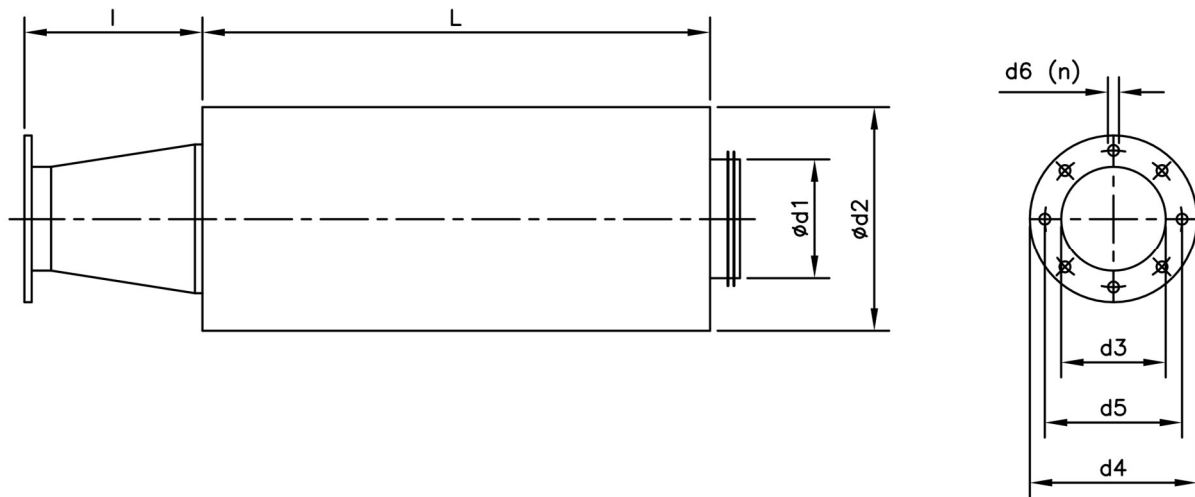


Modelo	L	d2	d3	d4	d5	d6	n	l	Kg
S-160/600-A	600	260	160	220	200	10	4x90°	100	9
S-180/600-A	600	300	180	240	210	10	4x90°	100	11
S-250/600-A	600	450	250	310	280	10	4x90°	100	18
S-315/900-A	900	500	315	390	355	10	8x45°	100	29
S-355/900-A	900	560	355	430	395	10	8x45°	100	34
S-400/900-A	900	600	400	480	450	12	8x45°	100	37
S-450/900-A	900	630	450	530	500	12	8x45°	100	38
S-500/900-A	900	710	500	590	560	12	12x30°	100	45
S-560/900-A	900	750	560	650	620	12	12x30°	100	47
S-630/900-A	900	800	630	720	690	12	12x30°	100	50
S-710/900-A	900	900	710	800	770	12	16x22°30'	100	58
S-800/900-A	900	1000	800	900	860	12	16x22°30'	100	67
S-900/1200-A	1200	1120	900	1000	970	12	16x22°30'	100	98
S-1000/1200-A	1200	1200	1000	1100	1070	12	16x22°30'	100	103

Amortecimento de substituição (dB) em banda de oitavas (Hz)

Modelo	125	250	500	1000	2000	4000	Aplicável a
S-160/600-A	3	11	22	33	42	29	CRF-225
S-180/600-A	4	8	15	31	28	20	CRF-250
S-250/600-A	5	12	20	24	23	14	CHT/CVT-200/225 / HT-25 / CRF-315
S-315/900-A	4	12	21	26	19	15	HT-31
S-355/900-A	4	12	20	24	18	14	CHT/CVT-250/315 / HT-35 / CRF-355/400
S-400/900-A	5	12	19	22	18	13	HT-40
S-450/900-A	5	12	18	20	16	12	HT-45
S-500/900-A	4	11	18	16	14	11	CHT/CVT-400/450 / HT-50 / CRF-450/500
S-560/900-A	4	10	16	14	13	10	HT-56
S-630/900-A	5	8	14	12	13	9	CHT/CVT-500 / HT-63
S-710/900-A	5	8	13	11	12	8	CHT/CVT-560/630 / HT-71
S-800/900-A	4	8	11	9	9	8	HT-80
S-900/1200-A	5	7	11	11	7	6	HT-90
S-1000/1200-A	4	7	11	10	7	6	HT-100

Aspiração



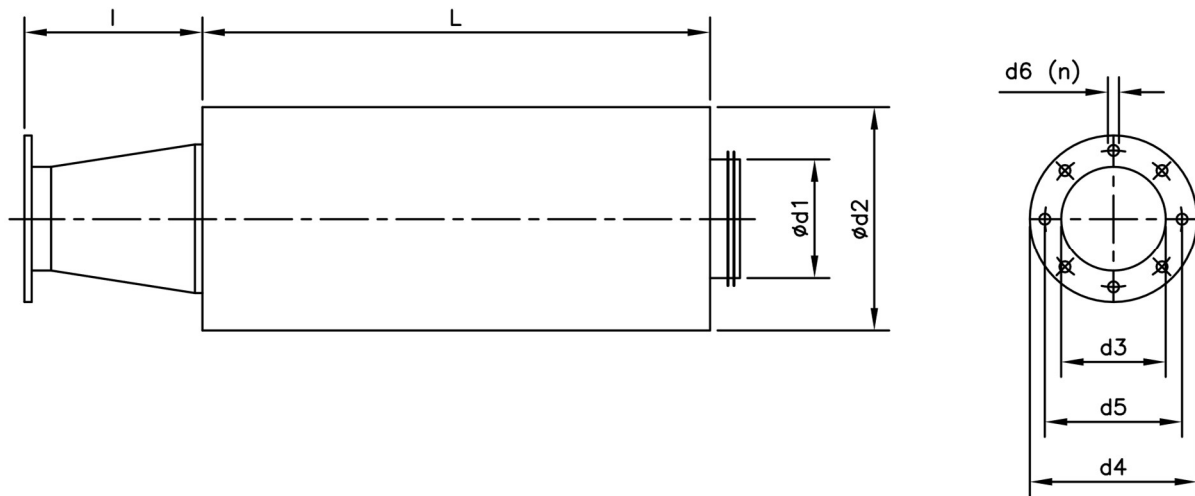
Amortecimento de substituição (dB) em banda de oitavas (Hz)

Modelo	L	d1	d2	l	d3	d4	d5	d6	n	Kg	125	250	500	1000	2000	4000	Aplicável a
S-80/600/218-A	600	80	280	103	80	113	95	6	4x90°	9	17	26	29	53	53	45	CMA-218
S-100/600/324-A	600	100	300	108	80	130	112	6	4x90°	10	13	23	34	46	52	40	CMA-324
S-125/600/325-A	600	125	315	114	94	140	122	7	4x90°	11	11	20	30	40	45	30	CMA-325
S-150/600/426-A	600	150	355	132	117	155	132	7	4x90°	13	10	19	29	37	42	25	CMA-426
S-150/600/527-A	600	150	355	114	125	170	147	7	4x90°	13	10	19	29	37	42	25	CMA-527
S-160/600/528-A	600	160	355	107	135	190	162	7	4x90°	14	9	16	28	33	37	21	CMA-528
S-200/600/531-A	600	200	400	135	160	215	180	7	4x90°	16	6	12	22	28	28	18	CMA-531
S-250/600/540-A	600	250	450	204	170	240	205	11	4x90°	20	5	12	20	24	23	14	CMA-540
S-315/900/545-A	900	315	500	266	180	255	220	11	4x90°	32	4	12	21	26	19	15	CMA-545
S-100/600/242-A	600	100	300	115	100	150	130	10	8x45°	11	13	23	34	46	52	40	CAS/CAST-242
S-150/900/248-A	900	150	355	200	112	160	140	10	8x45°	19	10	27	37	51	53	37	CAS/CAST-248
S-160/900/254-A	900	160	355	200	125	180	155	10	8x45°	19	11	24	35	49	51	27	CAS/CAST-254
S-200/900/260-A	900	200	400	200	150	210	175	10	8x45°	23	8	18	28	40	37	23	CAS/CAST-260
S-200/900/463-A	900	200	400	200	200	260	240	10	8x45°	23	8	18	28	40	37	23	CAS/CAST-463
S-250/900/467-A	900	250	450	200	224	280	258	10	8x45°	27	6	17	30	34	28	17	CAS/CAST-467
S-250/900/571-A	900	250	450	200	250	310	275	10	8x45°	27	6	17	30	34	28	17	CAS/CAST-571
S-250/600/640-A	600	250	450	200	250	310	275	10	8x45°	20	5	12	20	24	23	14	CAS/CAST-640
S-315/900/645-A	900	315	500	200	250	310	275	10	8x45°	31	4	12	21	26	19	15	CAS/CAST-645
S-355/900/650-A	900	355	560	200	250	310	275	10	8x45°	37	4	12	20	24	18	14	CAS/CAST-650
S-180/900/680-A	900	180	380	100	165	235	200	11	8x45°	21	9	21	31	44	44	25	CAS-680
S-180/900/790-A	900	180	380	100	185	235	219	11	8x45°	21	9	21	31	44	44	25	CAS-790
S-355/900/852-A	900	355	560	200	280	350	310	10	8x45°	37	4	12	20	24	18	14	CAS/CAST-852
S-400/1200/856-A	1200	400	600	200	355	430	395	10	8x45°	51	7	16	22	29	22	15	CAS/CAST-856
S-400/1200/863-A	1200	400	600	200	355	430	410	10	8x45°	51	7	16	22	29	22	15	CAS/CAST-863

**Amortecimento de substituição
(dB) em banda de oitavas (Hz)**

Modelo	L	d1	d2	l	d3	d4	d5	d6	n	Kg	Amortecimento de substituição (dB) em banda de oitavas (Hz)						Aplicável a
											125	250	500	1000	2000	4000	
S-450/1200/971-A	1200	450	630	200	400	480	450	12	8x45°	53	6	15	21	25	20	14	CAS/CAST-971
S-250/1200/980-A	1200	250	450	100	255	325	292	11	8x45°	33	9	22	35	39	33	20	CAS-980
S-280/1200/990-A	1200	280	450	100	286	366	332	11	8x45°	33	8	18	31	38	28	19	CAS-990
S-250/1200/1080-A	1200	250	450	100	255	325	292	11	8x45°	33	9	22	35	39	33	20	CAS-1080
S-280/1200/1090-A	1200	280	450	100	286	366	332	11	8x45°	33	8	18	31	38	28	19	CAS-1090
S-500/900/1250-A	900	500	710	300	361	441	405	12	8x45°	54	6	13	18	15	15	12	CAS/CAST-1250/A
S-560/900/1456-A	900	560	750	450	406	486	448	12	12x30°	61	5	8	13	11	12	8	CAS/CAST-1456/A
S-630/1200/1663-A	1200	630	800	450	568	668	629	12	16x22°30'	79	4	8	11	9	9	8	CAS/CAST-1663/A
S-80/600/234-A	600	80	280	108	98	130	115	5	6x60°	10	17	26	29	53	53	45	CA-234
S-100/600/142-A	600	100	300	108	90	160	130	9	4x90°	11	13	23	34	46	52	40	CA-142
S-150/900/148-A	900	150	355	149	100	170	140	9	4x90°	19	10	27	37	51	53	37	CA-148
S-160/900/154-A	900	160	355	146	115	183	155	11	4x90°	19	11	24	35	49	51	27	CA-154
S-200/900/160-A	900	200	400	183	130	230	192	11	4x90°	23	8	18	28	40	37	23	CA-160
S-200/900/166-A	900	200	400	162	140	230	200	11	4x90°	23	8	18	28	40	37	23	CA-166
S-200/900/172-A	900	200	400	149	148	230	200	11	4x90°	23	8	18	28	40	37	23	CA-172
S-250/600/540-C-A	600	250	450	204	170	240	205	11	4x90°	20	5	12	20	24	23	14	CAM-540
S-315/900/545-C-A	900	315	500	266	165	235	205	11	4x90°	32	4	12	21	26	19	15	CAM-545
S-355/900/550-A	900	355	560	293	210	278	258	9	6x60°	38	4	12	20	24	18	14	CAM-550
S-355/900/752-A	900	355	560	260	220	278	258	9	6x60°	38	4	12	20	24	18	14	CAM-752
S-355/1200/760-A	1200	355	560	224	246	322	280	10	6x60°	47	7	15	25	32	23	17	CAM-760
S-500/1200/880-A	1200	500	710	360	290	360	330	10	12x30°	69	7	15	25	32	23	17	CAM-880
S-315/600/922-A	600	315	500	238	220	278	256	9	8x45°	24	4	8	14	17	14	12	CMP/TCMP-922
S-355/900/1025-A	900	355	560	224	245	305	282	9	8x45°	37	4	12	20	24	23	14	CMP/TCMP-1025
S-400/900/1128-A	900	400	600	250	270	348	320	9	8x45°	42	5	12	19	22	18	13	CMP/TCMP-1128
S-450/900/1231-A	900	450	630	291	295	382	354	9	8x45°	46	5	12	18	20	16	12	CMP/TCMP-1231
S-500/900/1435-A	900	500	710	284	345	422	394	9	8x45°	54	4	11	18	16	14	11	CMP/TCMP-1435
S-500/900/1640-A	900	500	710	227	395	464	438	9	8x45°	52	4	11	18	16	14	11	CMP/TCMP-1640
S-560/900/1845-A	900	560	750	241	445	515	485	9	8x45°	56	4	10	16	14	13	10	CMP/TCMP-1845
S-630/1200/2050-A	1200	630	800	269	495	565	535	11	8x45°	77	6	13	18	15	15	12	CMP/TCMP-2050
S-800/1200/2563-A	1200	800	1000	370	595	710	675	14	8x45°	112	5	9	13	11	11	9	CMP/TCMP-2563
S-400/900/1031-A	900	400	600	202	320	383	356	9	8x45°	41	5	12	19	22	18	13	CMR/TCR-R/TCR-1031
S-450/900/1135-A	900	450	630	216	345	425	398	9	8x45°	44	5	12	18	20	16	12	CMR/TCR-R/TCR-1135
S-500/900/1240-A	900	500	710	227	395	472	444	11	8x45°	52	4	11	18	16	14	11	CMR/TCR-R/TCR-1240
S-560/900/1445-A	900	560	750	241	445	522	494	11	8x45°	56	4	10	16	14	13	10	CMR/TCR-R/TCR-1445
S-630/1200/1650-A	1200	630	800	269	495	582	555	11	8x45°	77	6	13	18	15	15	12	CMR/TCR-R/TCR-1650
S-710/900/1856-A	900	710	900	301	555	645	615	11	8x45°	75	5	8	13	11	12	8	CMR/TCR-R/TCR-1856
S-800/900/2063-A	900	800	1000	329	625	720	688	11	8x45°	88	4	8	11	9	9	8	CMR/TCR-R/TCR-2063
S-800/1200/2271-A	1200	800	1000	224	705	800	768	13	8x45°	100	5	9	13	11	11	9	CMR/TCR-R/TCR-2271
S-800/1200/2380-A	1200	800	1000	224	800	906	861	13	16x22°	92	5	9	13	11	11	9	CMR/TCR-R/TCR-2380

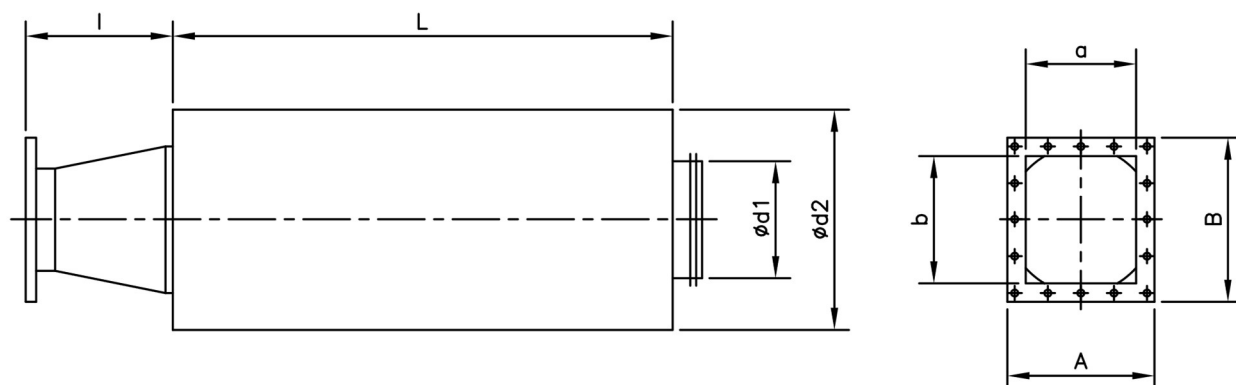
Impulsão (Amarra circular)



Amortecimento de substituição (dB) em
banda de oitavas (Hz)

Modelo	L	d1	d2	l	d3	d4	d5	d6	n	Kg	125	250	500	1000	2000	4000	Aplicável a
S-80/600/218-I	600	80	280	103	54	90	76	6	4x90°	9	17	26	29	53	53	45	CMA-218
S-100/600/324-I	600	100	300	131	62	110	90	7	4x90°	10	13	23	34	46	52	40	CMA-324
S-125/600/325-I	600	125	315	142	80	120	102	7	4x90°	10	11	20	30	40	45	30	CMA-325
S-150/600/426-I	600	150	355	176	90	140	119	7	4x90°	12	10	19	29	37	42	25	CMA-426
S-150/600/527-I	600	150	355	149	100	155	129	7	4x90°	12	10	19	29	37	42	25	CMA-527
S-160/600/528-I	600	160	355	138	130	190	160	11	4x90°	12	9	16	28	33	37	21	CMA-528
S-200/600/531-I	600	200	400	162	140	200	175	11	4x90°	14	6	12	22	28	28	18	CMA-531
S-250/600/540-I	600	250	450	217	150	220	190	13	4x90°	17	5	12	20	24	23	14	CMA-540
S-315/900/545-I	900	315	500	266	175	250	220	13	4x90°	26	4	12	21	26	19	15	CMA-545
S-80/600/234-I	600	80	280	103	40	100	72	9	2x180°	9	17	26	29	53	53	45	CA-234
S-100/600/142-I	600	100	300	131	60	120	90	11	4x90°	10	13	23	34	46	52	40	CA-142
S-150/900/148-I	900	150	355	176	73	150	110	11	4x90°	17	10	27	37	51	53	37	CA-148
S-160/900/154-I	900	160	355	190	80	160	120	13	4x90°	17	11	24	35	49	51	27	CA-154
S-200/900/160-I	900	200	400	245	85	160	120	13	4x90°	20	8	18	28	40	37	23	CA-160
S-200/900/166-I	900	200	400	245	85	160	120	13	4x90°	20	8	18	28	40	37	23	CA-166
S-200/900/172-I	900	200	400	245	90	175	140	13	4x90°	20	8	18	28	40	37	23	CA-172

Impulsão (Amarra retangular)



Amortecimento de substituição
(dB) em banda de oitavas (Hz)

Modelo	L	d1	d2	l	a	b	A	B	Kg	Amortecimento de substituição (dB) em banda de oitavas (Hz)					Aplicável a	
										125	250	500	1000	2000		4000
S-100/600/242-I	600	100	300	200	95	60	155	120	10	13	23	34	46	52	40	CAS / CAST-242
S-150/900/248-I	900	150	355	200	105	66	165	126	18	10	27	37	51	53	37	CAS / CAST-248
S-160/900/254-I	900	160	355	200	115	75	175	135	18	11	24	35	49	51	27	CAS / CAST-254
S-200/900/260-I	900	200	400	200	125	85	185	145	21	8	18	28	40	37	23	CAS / CAST-260
S-200/900/463-I	900	200	400	200	125	85	185	145	21	8	18	28	40	37	23	CAS / CAST-463
S-250/900/467-I	900	250	450	250	130	90	190	150	25	6	17	30	34	28	17	CAS / CAST-467
S-250/900/571-I	900	250	450	250	145	95	205	155	25	6	17	30	34	28	17	CAS / CAST-571
S-250/600/640-I	600	250	450	250	200	125	260	185	18	5	12	20	24	23	14	CAS / CAST-640
S-315/900/645-I	900	315	500	250	224	140	284	200	28	4	12	21	26	19	15	CAS / CAST-645
S-355/900/650-I	900	355	560	250	250	160	310	220	32	4	12	20	24	18	14	CAS / CAST-650
S-180/900/680-I	600	180	380	100	71	100	131	160	14	9	21	31	44	44	25	CAS-680
S-180/900/790-I	600	180	380	100	80	112	140	172	14	9	21	31	44	44	25	CAS-790
S-355/900/852-I	900	355	560	250	280	180	340	240	32	4	12	20	24	18	14	CAS / CAST-852
S-400/1200/856-I	1200	400	600	280	280	180	340	240	44	7	16	22	29	22	15	CAS / CAST-856
S-400/1200/863-I	1200	400	600	280	315	200	375	260	44	7	16	22	29	22	15	CAS / CAST-863
S-450/1200/971-I	1200	450	630	280	355	224	425	294	46	6	15	21	25	20	14	CAS / CAST-971
S-250/1200/980-I	1200	250	450	100	140	200	210	270	30	9	22	35	39	33	20	CAS-980
S-280/1200/990-I	1200	280	450	100	160	224	230	294	29	8	18	31	38	28	19	CAS-990
S-250/1200/1080-I	1200	250	450	100	140	200	210	270	30	9	22	35	39	33	20	CAS-1080
S-280/1200/1090-I	1200	280	450	100	160	224	230	294	29	8	18	31	38	28	19	CAS-1090
S-500/900/1250-I	900	500	600	300	280	400	360	480	30	6	13	18	15	15	12	CAS / CAST-1250/A
S-560/900/1456-I	900	560	630	450	315	450	395	530	32	5	8	13	11	12	8	CAS / CAST-1456/A
S-630/1200/1663-I	1200	630	750	450	355	500	435	580	53	4	8	13	11	11	9	CAS / CAST-1663/A
S-250/600/540-C-I	600	250	450	300	140	120	224	206	18	5	12	20	24	23	14	CAM-540
S-315/900/545-C-I	900	315	500	300	170	135	255	222	28	4	12	21	26	19	15	CAM-545
S-355/900/550-I	900	355	560	300	200	150	296	246	33	4	12	20	24	18	14	CAM-550
S-355/900/752-I	900	355	560	300	200	160	296	256	33	4	12	20	24	18	14	CAM-752
S-355/1200/760-I	1200	355	560	300	220	180	316	276	41	7	15	25	32	23	17	CAM-760
S-500/1200/880-I	1200	500	710	300	290	190	360	249	55	7	15	25	32	23	17	CAM-880
S-315/600/922-I	600	315	500	300	216	140	282	204	21	4	8	14	17	14	12	CMP / TCMP-922
S-355/900/1025-I	900	355	560	300	250	165	314	229	33	4	12	20	24	23	14	CMP / TCMP-1025
S-400/900/1128-I	900	400	600	300	300	180	364	244	36	5	12	19	22	18	13	CMP / TCMP-1128
S-450/900/1231-I	900	450	630	300	320	200	384	266	37	5	12	18	20	16	12	CMP / TCMP-1231
S-500/900/1435-I	900	500	710	300	280	228	344	294	44	4	11	18	16	14	11	CMP / TCMP-1435
S-500/900/1640-I	900	500	710	300	320	250	404	336	44	4	11	18	16	14	11	CMP / TCMP-1640
S-560/900/1845-I	900	560	750	450	360	284	444	370	48	4	10	16	14	13	10	CMP / TCMP-1845
S-630/1200/2050-I	1200	630	800	450	450	315	545	412	62	6	13	18	15	15	12	CMP / TCMP-2050
S-800/1200/2563-I	1200	800	1000	450	600	410	706	512	83	5	9	13	11	11	9	CMP / TCMP-2563
S-400/900/1031-I	900	400	600	300	315	250	385	320	36	5	12	19	22	18	13	CMR / TCR-R / TCR-1031
S-450/900/1135-I	900	450	630	450	355	280	425	350	38	5	12	18	20	16	12	CMR / TCR-R / TCR-1135
S-500/900/1240-I	900	500	710	450	400	315	480	395	46	4	11	18	16	14	11	CMR / TCR-R / TCR-1240
S-560/900/1445-I	900	560	750	450	450	355	540	445	48	4	10	16	14	13	10	CMR / TCR-R / TCR-1445
S-630/1200/1650-I	1200	630	800	450	500	400	590	490	62	6	13	18	15	15	12	CMR / TCR-R / TCR-1650
S-710/900/1856-I	900	710	900	450	560	450	660	550	58	5	8	13	11	12	8	CMR / TCR-R / TCR-1856
S-800/900/2063-I	900	800	1000	450	630	500	750	620	67	4	8	11	9	9	8	CMR / TCR-R / TCR-2063
S-800/1200/2271-I	1200	800	1000	450	710	560	840	690	83	5	9	13	11	11	9	CMR / TCR-R / TCR-2271
S-800/1201/2380-I	1200	800	1000	450	560	800	680	920	83	5	9	13	11	11	9	CMR / TCR-R / TCR-2380