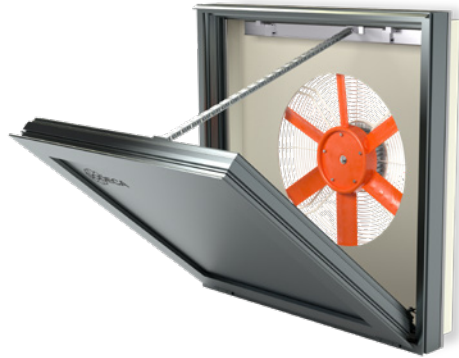


WALL/AXIAL



Dynamic wall mount axial extract fans fitted with motorised hatch

Wall mounted axial fans with fibreglass reinforced plastic propeller with motorised opening damper. Suitable for installation in industrial buildings or commercial facilities.

Fan:

- Wall fixing flange for correct and easy installation.
- Support frame in galvanised sheet steel.
- Fibreglass reinforced polyamide-6 impeller.
- Protection grid against contacts according to UNE-EN ISO 12499.
- On models 71, the protective grille is supplied as an accessory.
- Airflow direction from motor to impeller.

Extruded aluminum hatch:

- An extremely robust structure that is able to withstand severe weather changes.
- Designed to ensure watertightness.
- Aluminum profile with thermal bridge break.
- Central ceiling and structure equipped with high performance thermal insulation.
- Thermal resistance of the assembly less than 0.89 W/m²·K.
- Limit switches in both positions (open and closed).
- Possibility of mounting in upper and lower opening.
- Manual opening system.

Motor:

- Motors with IE3 efficiency for powers equal to or greater than 0.75 kW, except single-phase, 2-speed and 8-pole.
- Class F motors with ball bearings, IP55 protection.
- Three-phase 230/400 V 50 Hz.
- Working temperature: -25 °C +60 °C.

Actuator:

- Reliability greater than 11,000 dual cycles.
- Supply voltage at 230 V AC 50/60 Hz.
- Working temperature: -25 °C +60 °C.

Flap finish:

- Anti-corrosive in extruded aluminum.
- RAL 7016 supplied as standard. Any other RAL can be supplied on demand.

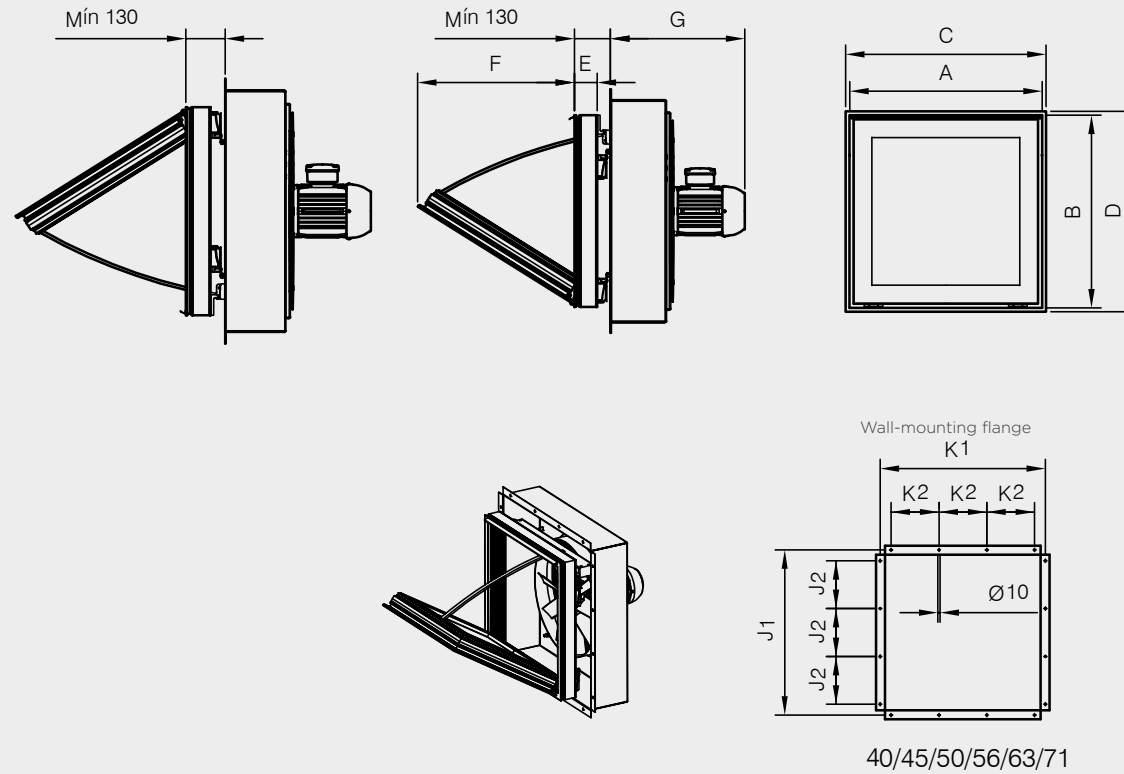
On request:

- AA: impeller-motor air direction for air entry to premises.

Model	Speed (r/min)	Maximum admissible current (A)		Installed power (kW)	Maximum flow rate (m ³ /h)	Sound pressure level ¹ dB (A)		Approx. weight (Kg)
		230V	400V			Inlet	Exhaust	
WALL/AXIAL-40-4T	1350	1.66	0.96	0.25	5180	44	44	32
WALL/AXIAL-45-4T	1370	2.02	1.17	0.37	7275	49	49	36
WALL/AXIAL-50-4T	1420	2.17	1.25	0.55	10185	52	52	44
WALL/AXIAL-56-4T IE3	1455	4.07	2.34	1.10	12985	55	55	55
WALL/AXIAL-56-6T	900	2.24	1.30	0.37	8290	44	44	46
WALL/AXIAL-63-4T IE3	1455	4.07	2.34	1.10	16455	59	59	80
WALL/AXIAL-63-6T	900	2.24	1.30	0.37	12340	49	49	71
WALL/AXIAL-71-4T IE3	1440	5.41	3.11	1.50	22170	63	63	92
WALL/AXIAL-71-6T IE3	940	3.36	1.93	0.75	17325	51	51	88

¹ Sound pressure level in dB(A) at a distance of 10 m and at maximum flow rate.

WALL/AXIAL



Model	A	B	C	D	E	F	G	J1	J2	K1	K2
WALL-AXIAL-40	640	590	650	600	82	430	400	700	200	700	200
WALL-AXIAL-45	640	590	650	600	82	430	405	700	200	730	200
WALL-AXIAL-50	690	690	700	700	82	560	455	790	220	790	220
WALL-AXIAL-56	690	690	700	700	82	560	485	840	220	840	220
WALL-AXIAL-63	990	990	1000	1000	82	760	480	1050	300	1050	300
WALL-AXIAL-71	990	990	1000	1000	82	760	480	1050	300	1050	300

(C x D) Nominal size of the wall opening.