

CSXRT



Belt driven centrifugal fans with single inlet, backward curved impeller, electric motor, pulleys, belts and guards



Fan:

- Galvanised steel sheet casing.
- Backward curved impeller made of painted sheet steel.
- Maximum temperature of air to be carried: -25 °C +85 °C.

Finish:

- Galvanised steel sheet.

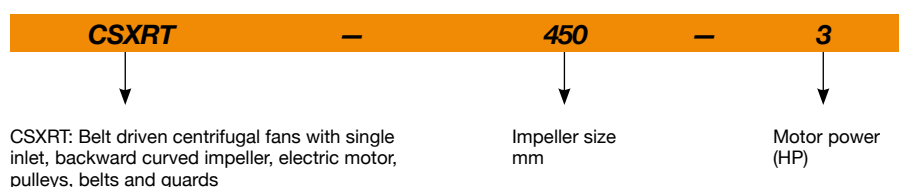
On request:

- Different outlet positions.
- ATEX certification.

Motor:

- Motors with IE3 efficiency for powers equal to or greater than 0.75 kW, except single-phase, 2-speed and 8-pole.
- Class F motors with ball bearings and IP55 protection.
- Three-phase 230/400 V 50 Hz (up to 4 kW) and 400/690 V 50 Hz (powers greater than 4 kW).
- Working temperature: -25 °C +50 °C.

Order code



Technical characteristics

Model	Speed (r/min)	Maximum admissible current (A)			Installed power (kW)	Maximum flow rate (m³/h)	Sound pressure level' dB (A) Inlet	Air temperature (°C)		Approx. weight (Kg)
		230V	400V	690V				min.	max.	
CSXRT-315-1 IE3	2100	2.82	1.62		0.75	3435	82	-25	+85	34
CSXRT-315-1.5 IE3	2385	4.03	2.34		1.10	3905	85	-25	+85	36
CSXRT-315-2 IE3	2650	5.34	3.07		1.50	4335	87	-25	+85	71
CSXRT-315-3 IE3	2975	7.32	4.21		2.20	4870	89	-25	+85	79
CSXRT-355-0.75	1580	2.17	1.25		0.55	3685	83	-25	+85	41
CSXRT-355-1 IE3	1765	2.82	1.62		0.75	4120	85	-25	+85	44
CSXRT-355-1.5 IE3	2010	4.07	2.34		1.10	4690	88	-25	+85	46
CSXRT-355-2 IE3	2225	5.34	3.07		1.50	5190	90	-25	+85	48
CSXRT-355-3 IE3	2465	7.32	4.21		2.20	5750	93	-25	+85	93
CSXRT-355-4 IE3	2615	10.00	5.77		3.00	6100	94	-25	+85	99
CSXRT-400-1 IE3	1465	2.82	1.62		0.75	4855	85	-25	+85	52
CSXRT-400-1.5 IE3	1665	4.07	2.34		1.10	5515	88	-25	+85	54
CSXRT-400-2 IE3	1845	5.41	3.11		1.50	6110	90	-25	+85	56
CSXRT-400-3 IE3	2045	7.93	4.56		2.20	6775	92	-25	+85	99

Technical characteristics

Model	Speed (r/min)	Maximum admissible current (A)			Installed power (kW)	Maximum flow rate (m³/h)	Sound pressure level' dB (A) Inlet	Air temperature (°C)		Approx. weight (Kg)
		230V	400V	690V				min.	max.	
CSXRT-400-4 IE3	2275	10.00	5.77		3.00	7535	95	-25	+85	105
CSXRT-450-1 IE3	1220	2.82	1.62		0.75	5620	83	-25	+85	64
CSXRT-450-1.5 IE3	1390	4.07	2.34		1.10	6405	86	-25	+85	66
CSXRT-450-2 IE3	1540	5.41	3.11		1.50	7095	88	-25	+85	68
CSXRT-450-3 IE3	1750	7.93	4.56		2.20	8060	91	-25	+85	72
CSXRT-450-4 IE3	1980	10.70	6.15		3.00	9120	94	-25	+85	76
CSXRT-450-5.5 IE3	2095	13.90	8.00		4.00	9650	95	-25	+85	128
CSXRT-500-1.5 IE3	1140	4.07	2.34		1.10	7330	86	-25	+85	88
CSXRT-500-2 IE3	1270	5.41	3.11		1.50	8165	88	-25	+85	90
CSXRT-500-3 IE3	1445	7.93	4.56		2.20	9290	91	-25	+85	93
CSXRT-500-4 IE3	1635	10.70	6.15		3.00	10510	93	-25	+85	98
CSXRT-500-5.5 IE3	1800	13.90	8.00		4.00	11570	95	-25	+85	107
CSXRT-500-7.5 IE3	2000		10.30	5.97	5.50	12855	98	-25	+85	116
CSXRT-500-10 IE3	2100		13.90	8.06	7.50	13500	99	-25	+85	178
CSXRT-560-1 IE3	835	2.82	1.62		0.75	8210	82	-25	+85	151
CSXRT-560-1.5 IE3	950	4.07	2.34		1.10	9340	84	-25	+85	161
CSXRT-560-2 IE3	1055	5.41	3.11		1.50	10375	87	-25	+85	100
CSXRT-560-3 IE3	1200	7.93	4.56		2.20	11800	90	-25	+85	103
CSXRT-560-4 IE3	1340	10.70	6.15		3.00	13175	92	-25	+85	108
CSXRT-560-5.5 IE3	1475	13.90	8.00		4.00	14505	94	-25	+85	117
CSXRT-560-7.5 IE3	1645		10.30	5.97	5.50	16175	96	-25	+85	122
CSXRT-560-10 IE3	1820		13.90	8.06	7.50	17895	99	-25	+85	132
CSXRT-560-15 IE3	1875		20.90	12.10	11.00	18440	99	-25	+85	276
CSXRT-630-1.5 IE3	775	4.07	2.34		1.10	9300	80	-25	+85	177
CSXRT-630-2 IE3	860	5.41	3.11		1.50	10320	82	-25	+85	181
CSXRT-630-3 IE3	1010	7.93	4.56		2.20	12120	86	-25	+85	119
CSXRT-630-4 IE3	1140	10.70	6.15		3.00	13680	88	-25	+85	123
CSXRT-630-5.5 IE3	1255	13.90	8.00		4.00	15060	90	-25	+85	132
CSXRT-630-7.5 IE3	1395		10.30	5.97	5.50	16740	93	-25	+85	138
CSXRT-630-10 IE3	1550		13.90	8.06	7.50	18600	95	-25	+85	147
CSXRT-630-15 IE3	1600		20.90	12.10	11.00	19200	96	-25	+85	293
CSXRT-710-1.5 IE3	635	4.07	2.34		1.10	11290	80	-25	+85	229
CSXRT-710-2 IE3	705	5.41	3.11		1.50	12535	82	-25	+85	232
CSXRT-710-3 IE3	800	7.93	4.56		2.20	14220	85	-25	+85	241
CSXRT-710-4 IE3	960	10.70	6.15		3.00	17065	89	-25	+85	186
CSXRT-710-5.5 IE3	1060	13.90	8.00		4.00	18845	91	-25	+85	195
CSXRT-710-7.5 IE3	1180		10.30	5.97	5.50	20980	93	-25	+85	200
CSXRT-710-10 IE3	1305		13.90	8.06	7.50	23200	95	-25	+85	210
CSXRT-710-15 IE3	1355		20.90	12.10	11.00	24090	96	-25	+85	344
CSXRT-800-3 IE3	650	7.93	4.56		2.20	16970	84	-25	+85	331
CSXRT-800-4 IE3	765	10.70	6.15		3.00	19975	88	-25	+85	226
CSXRT-800-5.5 IE3	845	13.90	8.00		4.00	22065	90	-25	+85	234
CSXRT-800-7.5 IE3	940		10.30	5.97	5.50	24545	92	-25	+85	240
CSXRT-800-10 IE3	1040		13.90	8.06	7.50	27155	95	-25	+85	250
CSXRT-800-15 IE3	1185		20.90	12.10	11.00	30940	97	-25	+85	284
CSXRT-800-20 IE3	1330		27.90	16.20	15.00	34730	100	-25	+85	305
CSXRT-800-25 IE3	1425		35.10	20.30	18.50	37210	101	-25	+85	325
CSXRT-800-30 IE3	1510		41.00	23.80	22.00	39430	103	-25	+85	344
CSXRT-800-40 IE3	1490		57.10	33.10	30.00	38905	102	-25	+85	687
CSXRT-900-3 IE3	535	7.93	4.56		2.20	17720	82	-25	+85	443
CSXRT-900-4 IE3	640	10.70	6.15		3.00	21200	86	-25	+85	281
CSXRT-900-5.5 IE3	705	13.90	8.00		4.00	23355	88	-25	+85	289

Technical characteristics

Model	Speed (r/min)	Maximum admissible current (A)			Installed power (kW)	Maximum flow rate (m ³ /h)	Sound pressure level ¹ dB (A) Inlet	Air temperature (°C)		Approx. weight (Kg)
		230V	400V	690V				min.	max.	
CSXRT-900-7.5 IE3	785	10.30	5.97	5.50	26005	90	-25	+85	295	
CSXRT-900-10 IE3	870	13.90	8.06	7.50	28820	93	-25	+85	305	
CSXRT-900-15 IE3	990	20.90	12.10	11.00	32795	95	-25	+85	339	
CSXRT-900-20 IE3	1110	27.90	16.20	15.00	36770	98	-25	+85	360	
CSXRT-900-25 IE3	1190	35.10	20.30	18.50	39420	99	-25	+85	380	
CSXRT-900-30 IE3	1260	41.00	23.80	22.00	41740	101	-25	+85	399	
CSXRT-900-40 IE3	1400	57.10	33.10	30.00	46375	103	-25	+85	453	
CSXRT-1000-4 IE3	500	10.70	6.15	3.00	22220	83	-25	+85	550	
CSXRT-1000-5.5 IE3	575	13.90	8.00	4.00	25555	86	-25	+85	342	
CSXRT-1000-7.5 IE3	645	10.30	5.97	5.50	28665	88	-25	+85	348	
CSXRT-1000-10 IE3	715	13.90	8.06	7.50	31780	91	-25	+85	358	
CSXRT-1000-15 IE3	815	20.90	12.10	11.00	36220	93	-25	+85	392	
CSXRT-1000-20 IE3	915	27.90	16.20	15.00	40665	96	-25	+85	413	
CSXRT-1000-25 IE3	980	35.10	20.30	18.50	43555	97	-25	+85	432	
CSXRT-1000-30 IE3	1040	41.00	23.80	22.00	46220	99	-25	+85	452	
CSXRT-1000-40 IE3	1150	57.10	33.10	30.00	51110	101	-25	+85	506	
CSXRT-1000-50 IE3	1260	66.80	38.70	37.00	56000	103	-25	+85	549	
CSXRT-1000-60 IE3	1245	80.90	46.90	45.00	55335	103	-25	+85	1154	

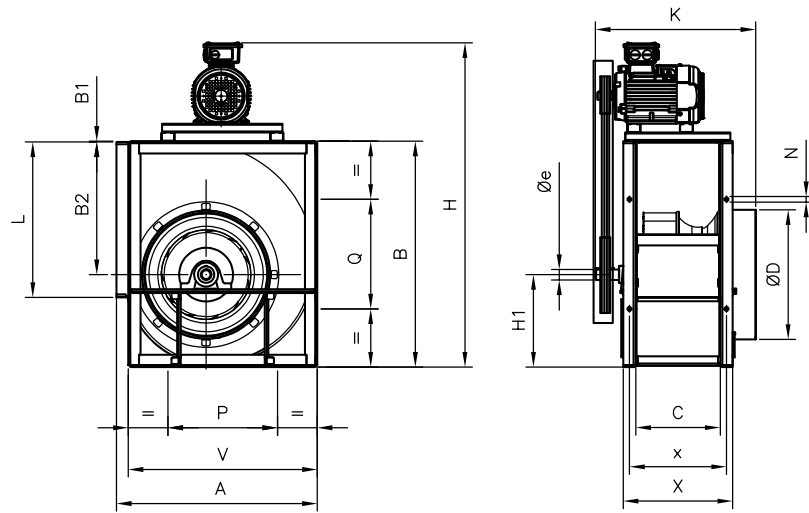
1. The noise level values are pressures in dB(A) measured at a distance of 3 metres in a free field.



Erp. (Energy Related Products)

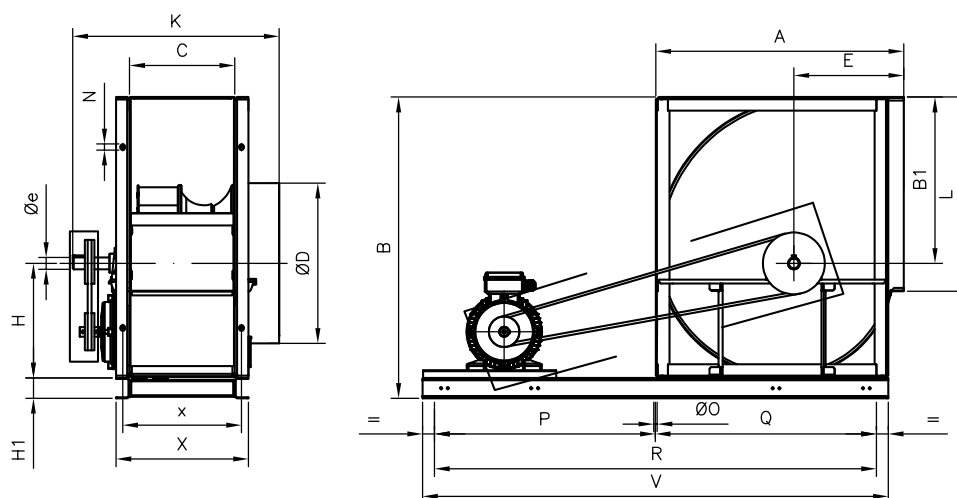
Information on Directive 2009/125/EC can be downloaded from the SODECA website or the QuickFan selector programme.

Dimensions mm

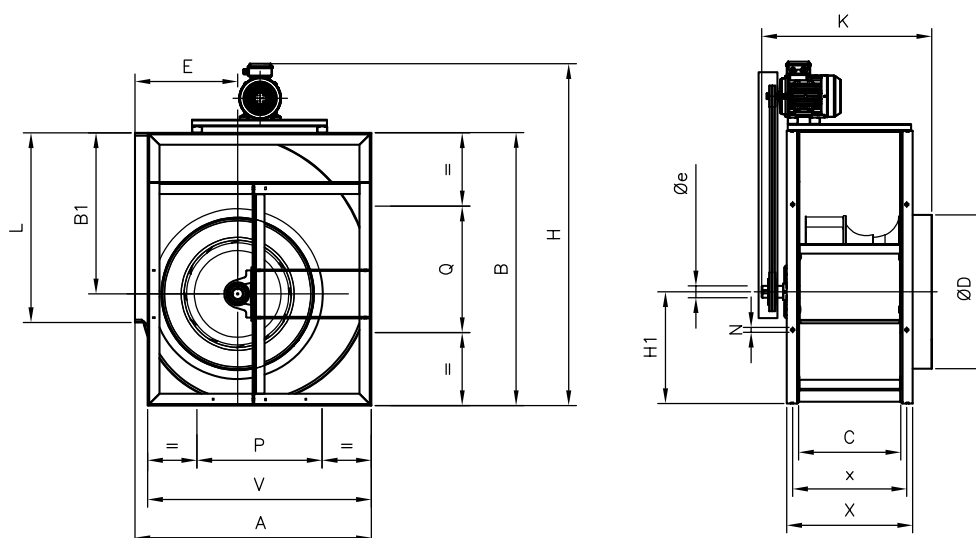


	A	B	B1	B2	C	øD	øe	E	H	H1	K	L	N	P	Q	V	X	x
CSXRT-315-1	518	578	2	341	223	327	25	236	855	235	441	404	13x18	280	280	480	283	253
CSXRT-315-1.5	518	578	2	341	223	327	25	236	855	235	441	404	13x18	280	280	480	283	253
CSXRT-315-2	518	578	2	341	223	327	25	236	875	235	441	404	13x18	280	280	480	283	253
CSXRT-315-3	518	578	2	341	223	327	25	236	875	235	441	404	13x18	280	280	480	283	253
CSXRT-355-0.75	578	650.5	-	385	247	362	30	261	910	266	483	453	13x18	355	355	548	327	287
CSXRT-355-1	578	650.5	-	385	247	362	30	261	930	266	483	453	13x18	355	355	548	327	287
CSXRT-355-1.5	578	650.5	-	385	247	362	30	261	930	266	483	453	13x18	355	355	548	327	287
CSXRT-355-2	578	650.5	-	385	247	362	30	261	945	266	483	453	13x18	355	355	548	327	287
CSXRT-355-3	578	650.5	-	385	247	362	30	261	945	266	483	453	13x18	355	355	548	327	287
CSXRT-355-4	578	650.5	-	385	247	362	30	261	963	266	483	453	13x18	355	355	548	327	287
CSXRT-400-1	651	733	-	433	274	420	35	290	1012	300	520	507	13x18	355	355	613	354	314
CSXRT-400-1.5	651	733	-	433	274	420	35	290	1012	300	520	507	13x18	355	355	613	354	314
CSXRT-400-2	651	733	-	433	274	420	35	290	1033	300	520	507	13x18	355	355	613	354	314
CSXRT-400-3	651	733	-	433	274	420	35	290	1033	300	520	507	13x18	355	355	613	354	314
CSXRT-400-4	651	733	-	433	274	420	35	290	1045	300	520	507	13x18	355	355	613	354	314
CSXRT-450-1	726	823	-	487	308	470	35	322	1100	336	605	569	13x18	530	530	681	388	348
CSXRT-450-1.5	726	823	-	487	308	470	35	322	1120	336	605	569	13x18	530	530	681	388	348
CSXRT-450-2	726	823	-	487	308	470	35	322	1120	336	605	569	13x18	530	530	681	388	348
CSXRT-450-3	726	823	-	487	308	470	35	322	1138	336	605	569	13x18	530	530	681	388	348
CSXRT-450-4	726	823	-	487	308	470	35	322	1138	336	605	569	13x18	530	530	681	388	348
CSXRT-500-1.5	800	918	3	540	344	517	35	352	1214	375	641	638	13x18	530	530	750	424	394
CSXRT-500-2	800	918	3	540	344	517	35	352	1214	375	641	638	13x18	530	530	750	424	394
CSXRT-500-3	800	918	3	540	344	517	35	352	1228	375	641	638	13x18	530	530	750	424	394
CSXRT-500-4	800	918	3	540	344	517	35	352	1228	375	641	638	13x18	530	530	750	424	394

Dimensions mm

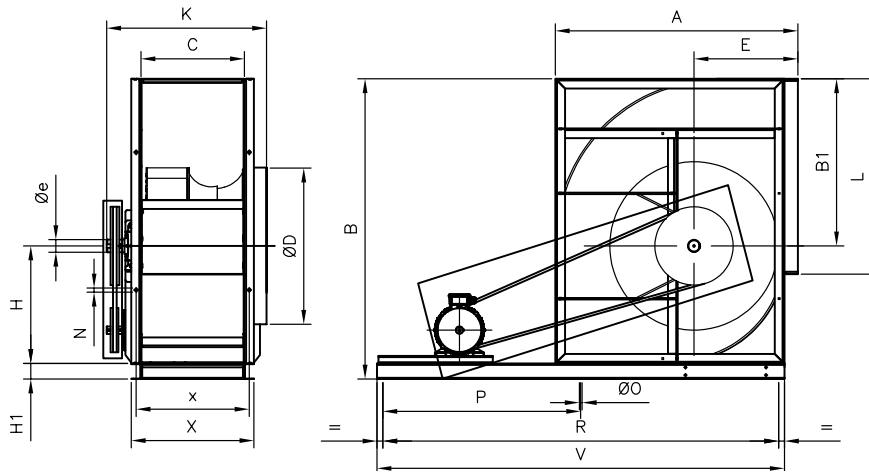


	A	B	B1	C	øD	øe	E	H	H1	K	L	N	P	Q	R	V	X	x
CSXRT-450-5.5	726	883	487	308	470	35	322	336	60	605	569	13x18	648	648	1295	1365	388	353
CSXRT-500-5.5	800	978	540	344	517	35	352	375	60	640.5	638	13x18	738	738	1475	1575	424	389
CSXRT-500-7.5	800	978	540	344	517	35	352	375	60	640.5	638	13x18	738	738	1475	1575	424	389
CSXRT-500-10	800	978	540	344	517	35	352	375	60	640.5	638	13x18	738	738	1475	1575	424	389



	A	B	B1	C	øD	øe	E	H	H1	K	L	N	P	Q	V	X	x
CSXRT-560-1	893	1025	605	383	584	40	390	1325	420	663	715	13x18	530	530	845	483	433
CSXRT-560-1.5	893	1025	605	383	584	40	390	1325	420	663	715	13x18	530	530	845	483	433
CSXRT-560-2	893	1025	605	383	584	40	390	1325	420	663	715	13x18	530	530	845	483	433
CSXRT-560-3	893	1025	605	383	584	40	390	1340	420	663	715	13x18	530	530	845	483	433
CSXRT-560-4	893	1025	605	383	584	40	390	1340	420	663	715	13x18	530	530	845	483	433
CSXRT-630-1.5	999	1157	681	432	650	50	434	1470	471.5	718	801	13x18	530	530	946	532	482
CSXRT-630-2	999	1157	681	432	650	50	434	1470	471.5	718	801	13x18	530	530	946	532	482
CSXRT-630-3	999	1157	681	432	650	50	434	1470	471.5	718	801	13x18	530	530	946	532	482
CSXRT-630-4	999	1157	681	432	650	50	434	1470	471.5	718	801	13x18	530	530	946	532	482
CSXRT-710-1.5	1121	1303	766	478	725	50	476	1612	538	800	898	17x22	630	630	1058	578	528
CSXRT-710-2	1121	1303	766	478	725	50	476	1612	538	800	898	17x22	630	630	1058	578	528
CSXRT-710-3	1121	1303	766	478	725	50	476	1612	538	800	898	17x22	630	630	1058	578	528
CSXRT-710-4	1121	1303	766	478	725	50	476	1612	538	800	898	17x22	630	630	1058	578	528

Dimensions mm

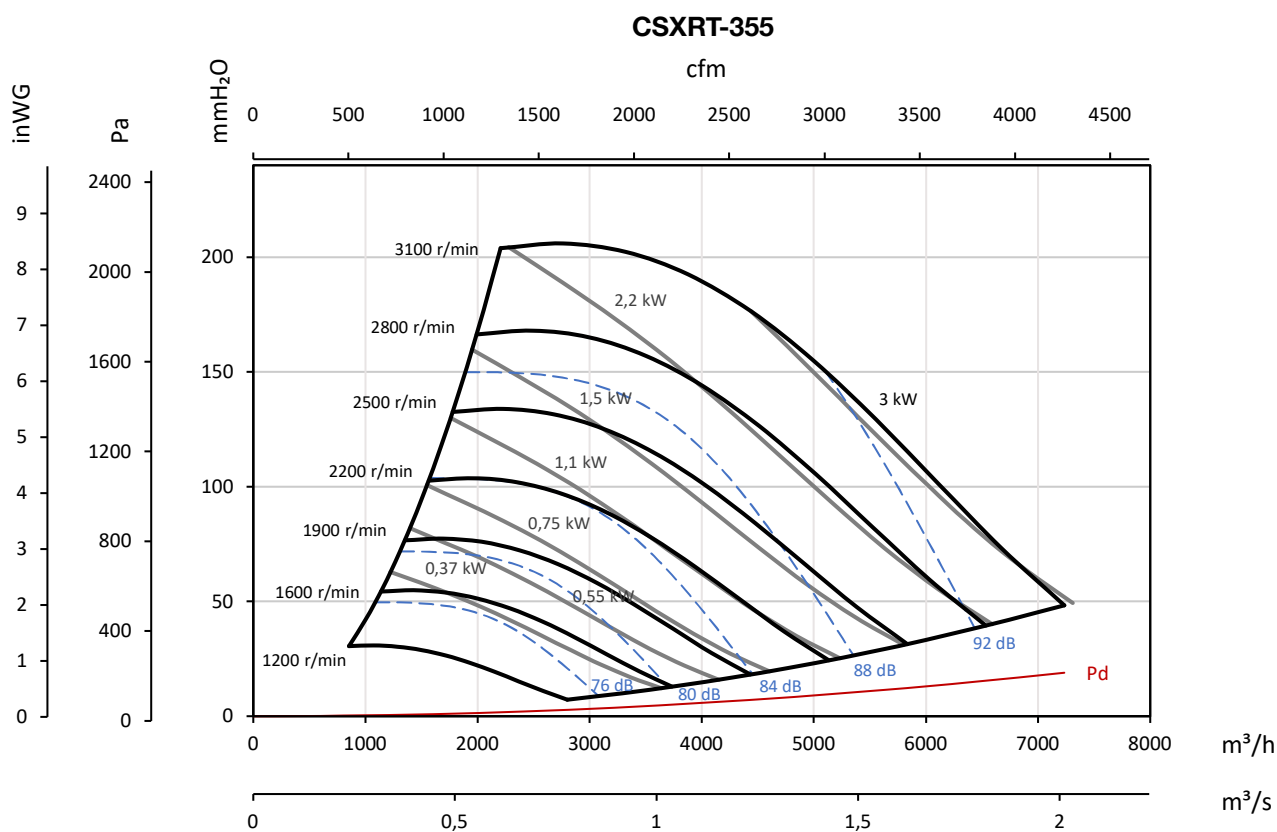
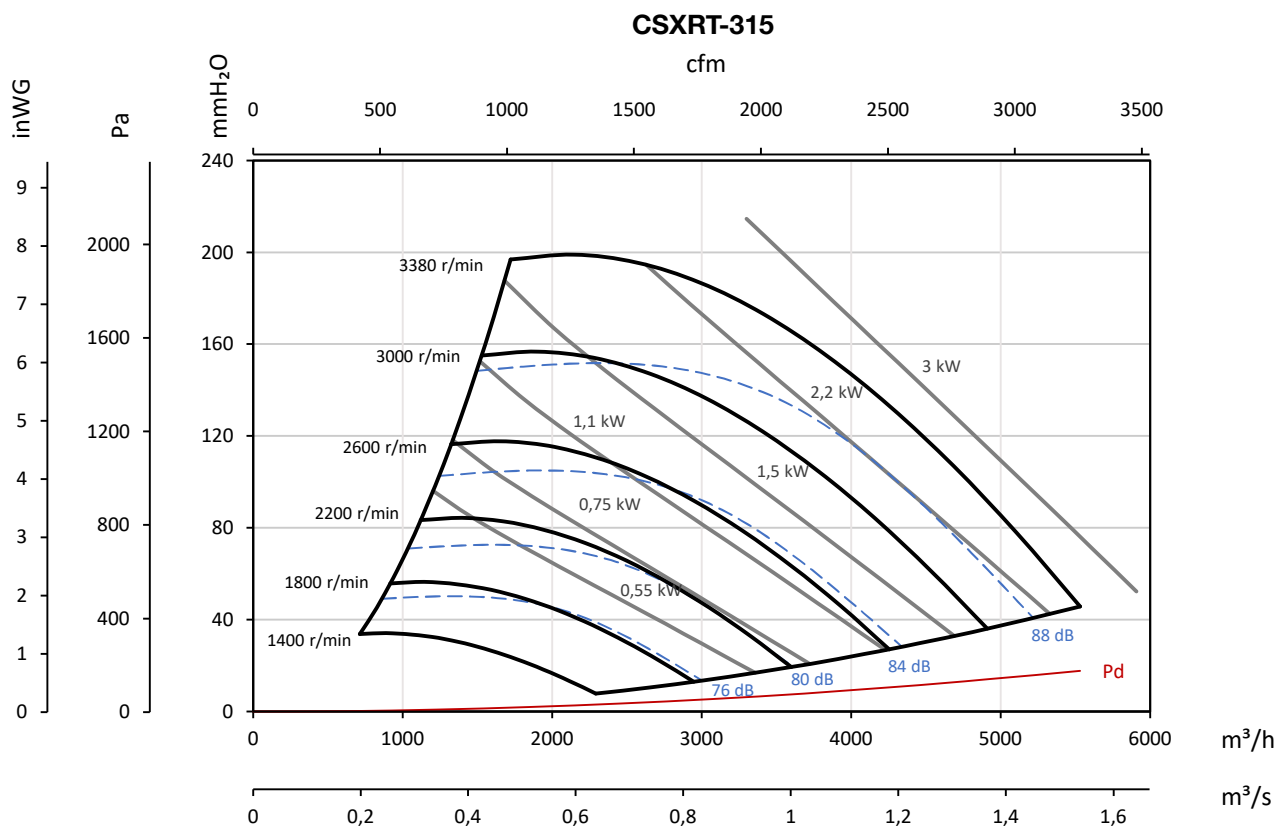


	A	B	B1	C	øD	øe	E	H	H1	K	L	N	P	R	V	X	x
CSXRT-560-5.5	893	1085	605	383	584	40	390	420	60	663	715	13x16	648	1295	1366	483	433
CSXRT-560-7.5	893	1085	605	383	584	40	390	420	60	663	715	13x17	648	1295	1366	483	433
CSXRT-560-10	893	1085	605	383	584	40	390	420	60	663	715	13x18	648	1295	1366	483	433
CSXRT-560-15	893	1085	605	383	584	40	390	420	60	663	715	13x18	648	1295	1366	483	433
CSXRT-630-5.5	999	1213	681	432	650	50	434	471.5	60	718	801	13x18	808	1615	1715	532	482
CSXRT-630-7.5	999	1213	681	432	650	50	434	471.5	60	718	801	13x18	808	1615	1715	532	482
CSXRT-630-10	999	1213	681	432	650	50	434	471.5	60	718	801	13x18	808	1615	1715	532	482
CSXRT-630-15	999	1213	681	432	650	50	434	471.5	60	718	801	13x18	808	1615	1715	532	482
CSXRT-710-5.5	1121	1383	766	478	725	50	476	538	60	800	898	17x22	637	1911	2000	578	528
CSXRT-710-7.5	1121	1383	766	478	725	50	476	538	60	800	898	17x22	637	1911	2000	578	528
CSXRT-710-10	1121	1383	766	478	725	50	476	538	60	800	898	17x22	637	1911	2000	578	528
CSXRT-710-15	1121	1383	766	478	725	50	476	538	60	800	898	17x22	637	1911	2000	578	528
CSXRT-800-3	1250	1548	861	533	808	65	535	606	80	840.5	1008	17x22	1020	2040	2100	633	583
CSXRT-800-4	1250	1548	861	533	808	65	535	606	80	840.5	1008	17x22	1020	2040	2100	633	583
CSXRT-800-5.5	1250	1548	861	533	808	65	535	606	80	840.5	1008	17x22	1020	2040	2100	633	583
CSXRT-800-7.5	1250	1548	861	533	808	65	535	606	80	840.5	1008	17x22	1020	2040	2100	633	583
CSXRT-800-10	1250	1548	861	533	808	65	535	606	80	840.5	1008	17x22	1020	2040	2100	633	583
CSXRT-800-15	1250	1548	861	533	808	65	535	606	80	840.5	1008	17x22	1020	2040	2100	633	583
CSXRT-800-20	1250	1548	861	533	808	65	535	606	80	840.5	1008	17x22	1020	2040	2100	633	583
CSXRT-800-25	1250	1548	861	533	808	65	535	606	80	840.5	1008	17x22	1020	2040	2100	633	583
CSXRT-800-30	1250	1548	861	533	808	65	535	606	80	840.5	1008	17x22	1020	2040	2100	633	583
CSXRT-800-40	1250	1548	861	533	808	65	535	606	80	840.5	1008	17x22	1020	2040	2100	633	583
CSXRT-900-3	1408	1728	972	595	896	65	604	677	80	911.5	1130	17x22	1120	2240	2300	695	645
CSXRT-900-4	1408	1728	972	595	896	65	604	677	80	911.5	1130	17x22	1120	2240	2300	695	645
CSXRT-900-5.5	1408	1728	972	595	896	65	604	677	80	911.5	1130	17x22	1120	2240	2300	695	645
CSXRT-900-7.5	1408	1728	972	595	896	65	604	677	80	911.5	1130	17x22	1120	2240	2300	695	645
CSXRT-900-10	1408	1728	972	595	896	65	604	677	80	911.5	1130	17x22	1120	2240	2300	695	645
CSXRT-900-15	1408	1728	972	595	896	65	604	677	80	911.5	1130	17x22	1120	2240	2300	695	645
CSXRT-900-20	1408	1728	972	595	896	65	604	677	80	911.5	1130	17x22	1120	2240	2300	695	645
CSXRT-900-25	1408	1728	972	595	896	65	604	677	80	911.5	1130	17x22	1120	2240	2300	695	645
CSXRT-900-30	1408	1728	972	595	896	65	604	677	80	911.5	1130	17x22	1120	2240	2300	695	645
CSXRT-900-40	1408	1728	972	595	896	65	604	677	80	911.5	1130	17x22	1120	2240	2300	695	645
CSXRT-1000-4	1501	1910	1066	663	996	65	617	744	100	979.5	1267	17x22	1210	2420	2480	783	723
CSXRT-1000-5.5	1501	1910	1066	663	996	65	617	744	100	979.5	1267	17x22	1210	2420	2480	783	723
CSXRT-1000-7.5	1501	1910	1066	663	996	65	617	744	100	979.5	1267	17x22	1210	2420	2480	783	723
CSXRT-1000-10	1501	1910	1066	663	996	65	617	744	100	979.5	1267	17x22	1210	2420	2480	783	723
CSXRT-1000-15	1501	1910	1066	663	996	65	617	744	100	979.5	1267	17x22	1210	2420	2480	783	723
CSXRT-1000-20	1501	1910	1066	663	996	65	617	744	100	979.5	1267	17x22	1210	2420	2480	783	723
CSXRT-1000-25	1501	1910	1066	663	996	65	617	744	100	979.5	1267	17x22	1210	2420	2480	783	723
CSXRT-1000-30	1501	1910	1066	663	996	65	617	744	100	979.5	1267	17x22	1210	2420	2480	783	723
CSXRT-1000-40	1501	1910	1066	663	996	65	617	744	100	979.5	1267	17x22	1210	2420	2480	783	723
CSXRT-1000-50	1501	1910	1066	663	996	65	617	744	100	979.5	1267	17x22	1210	2420	2480	783	723
CSXRT-1000-60	1501	1910	1066	663	996	65	617	744	100	979.5	1267	17x22	1210	2420	2480	783	723

Characteristic curves

Q= Flow rate in m³/h, m³/s and cfm

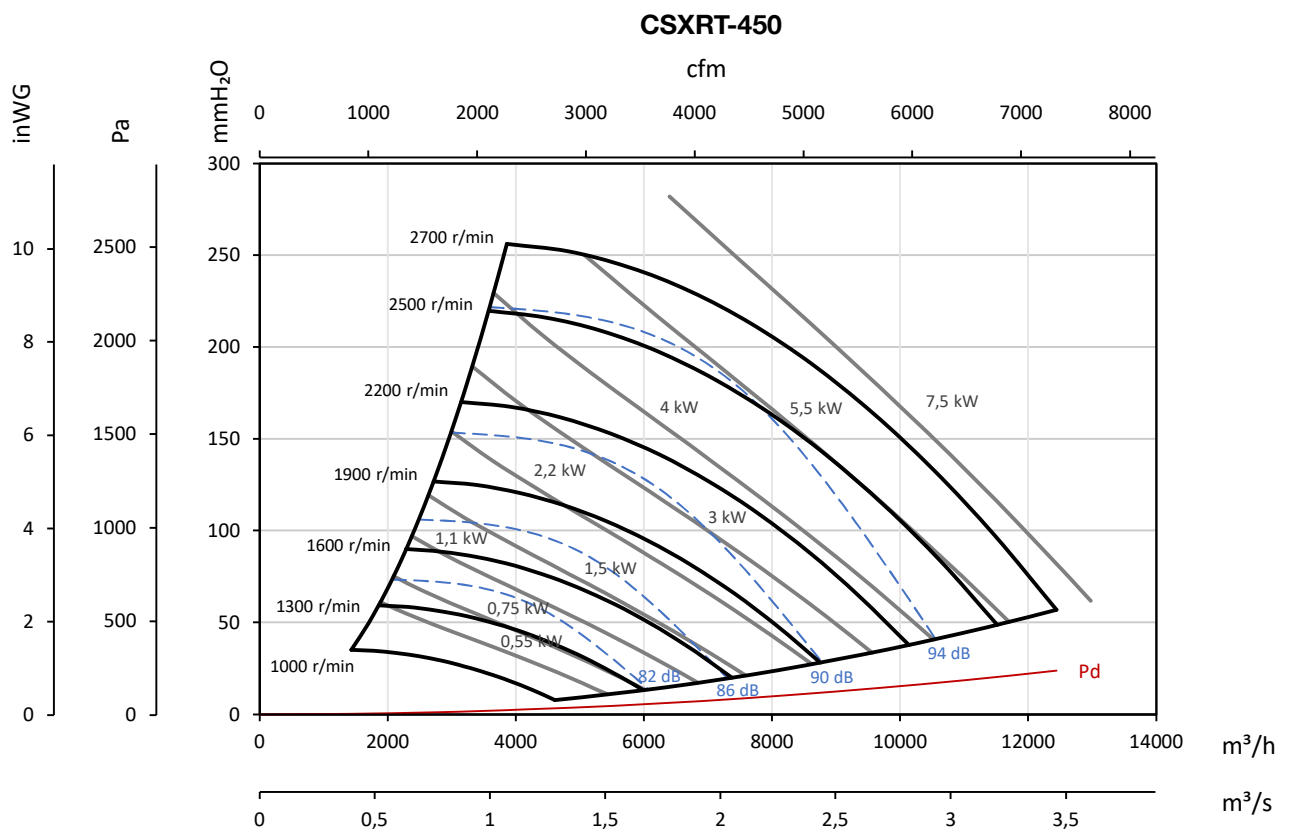
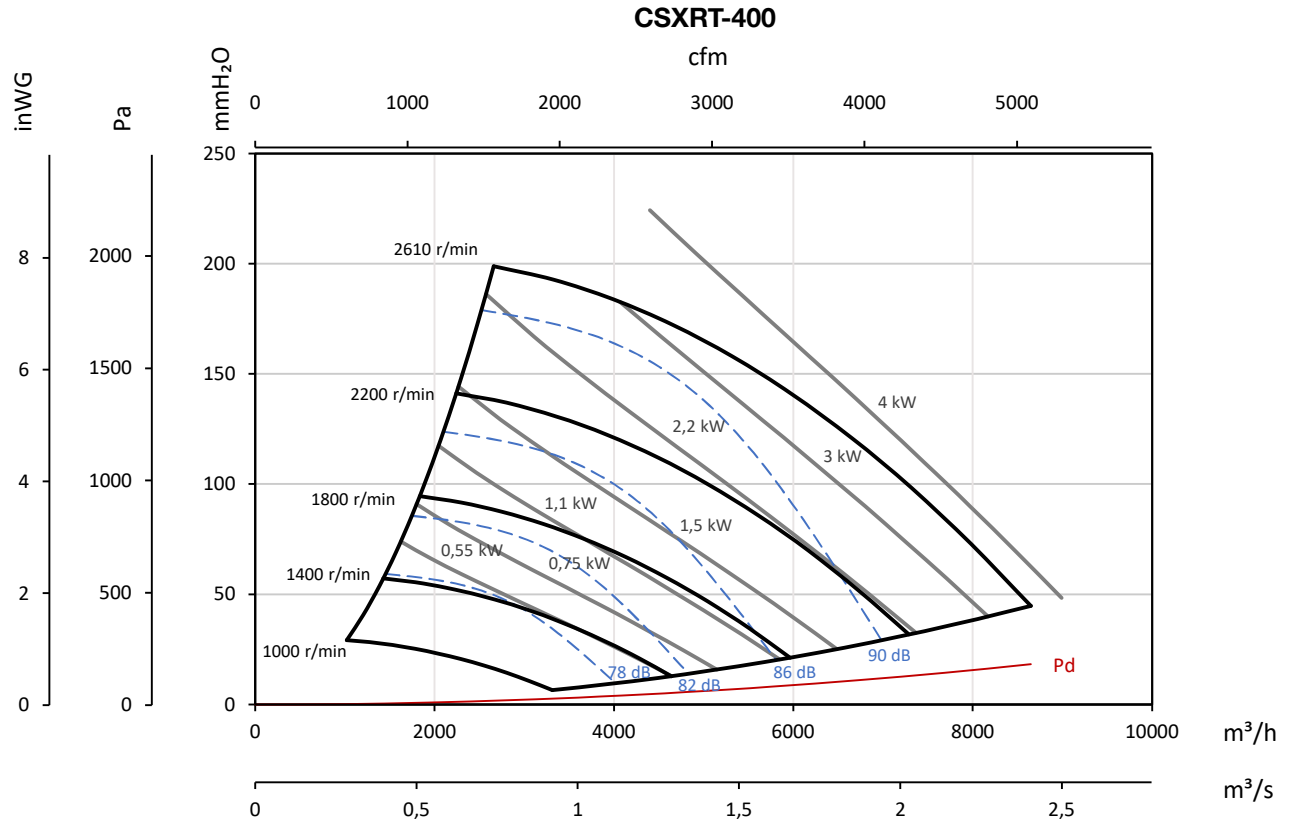
Pe= Static pressure in mm H₂O, Pa and inWG



Characteristic curves

Q= Flow rate in m³/h, m³/s and cfm

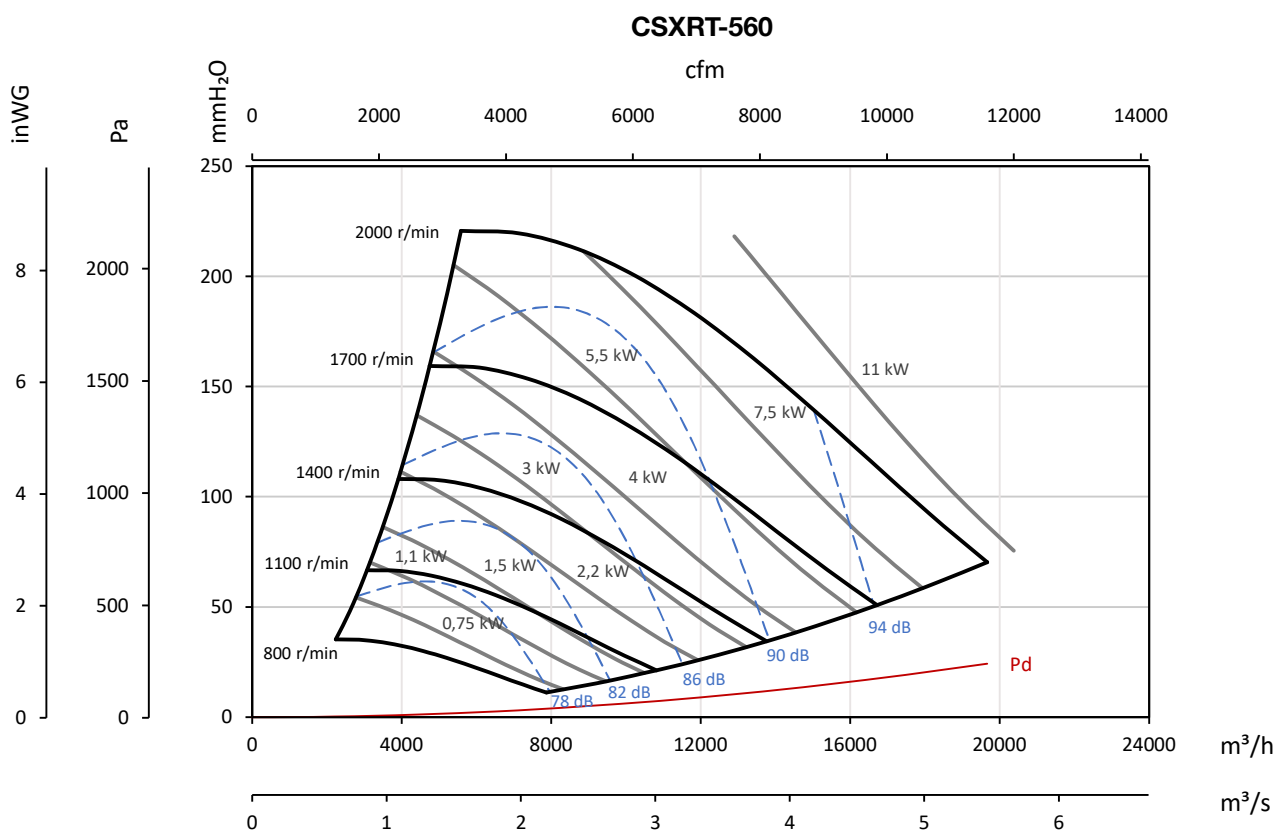
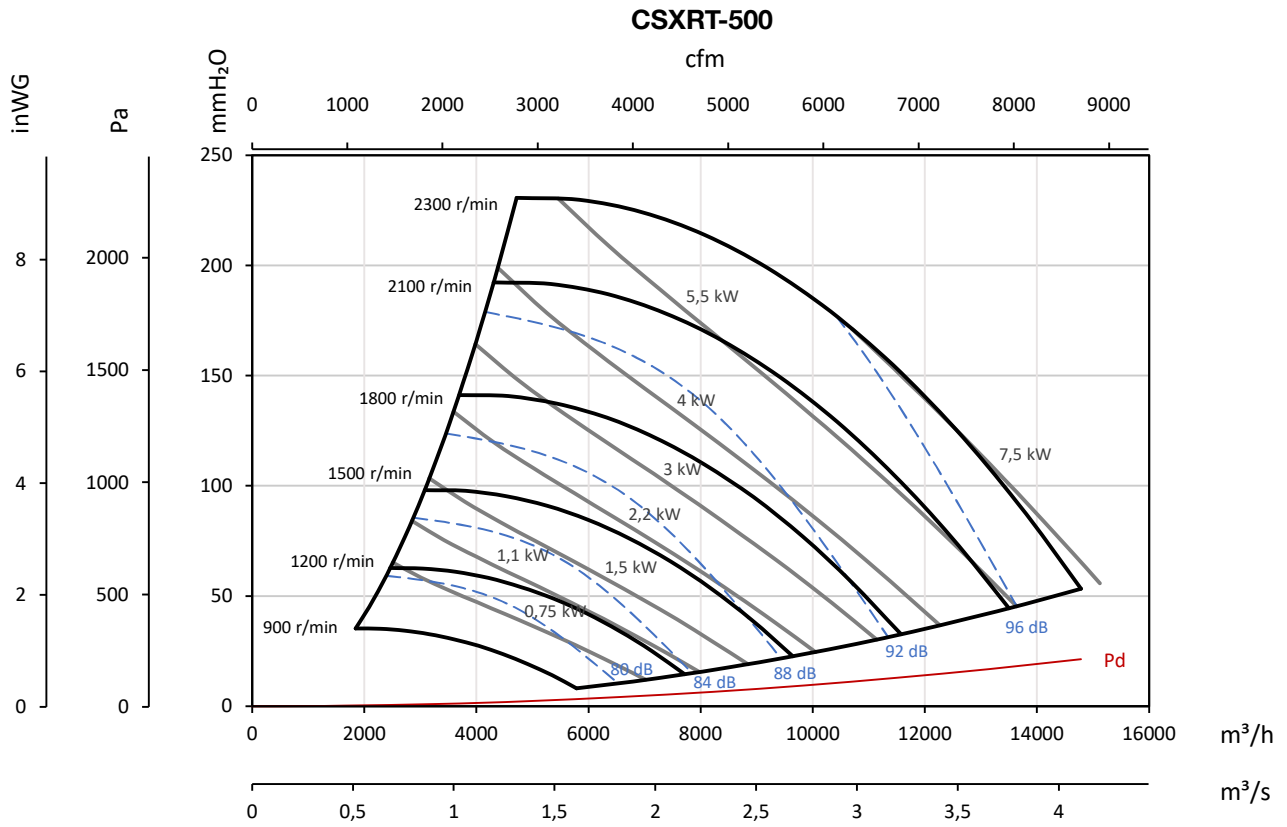
Pe= Static pressure in mm H₂O, Pa and inWG



Characteristic curves

Q= Flow rate in m³/h, m³/s and cfm

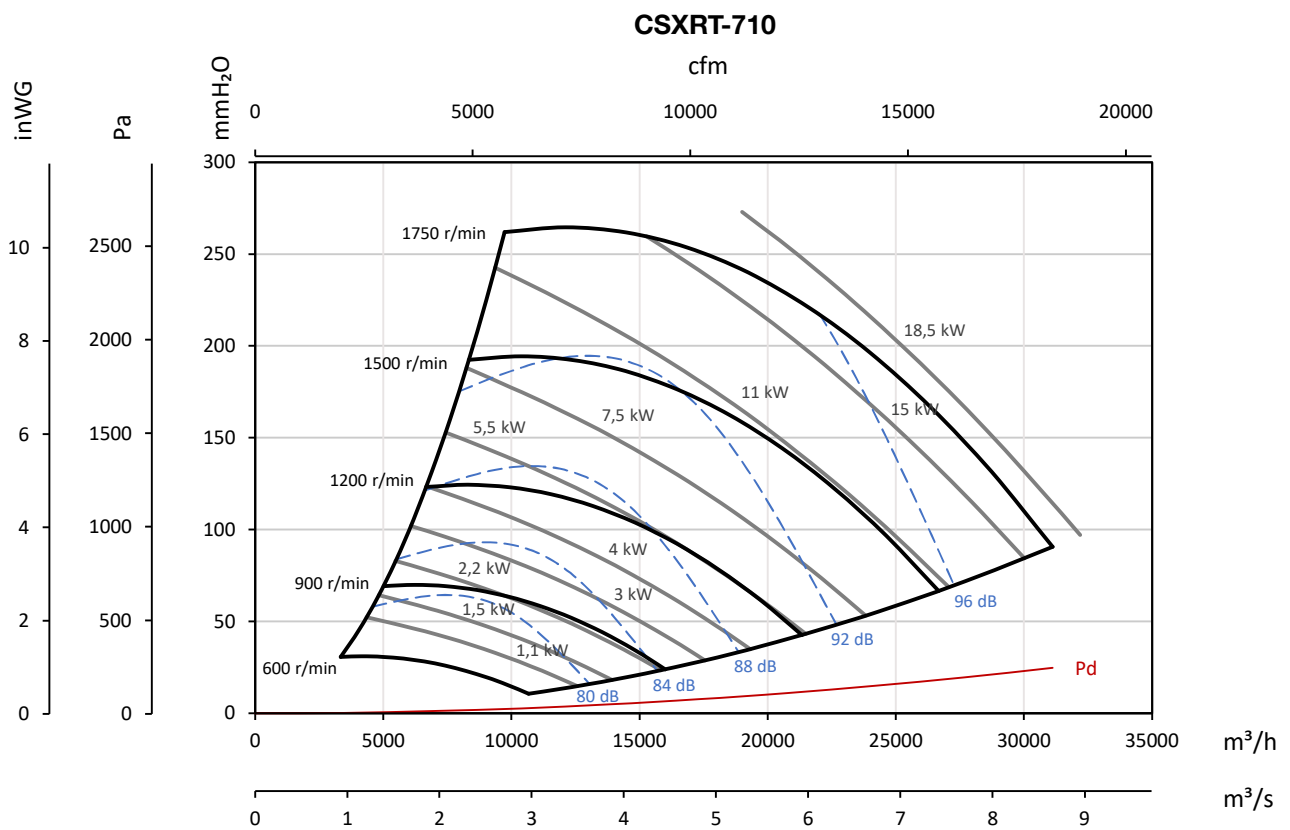
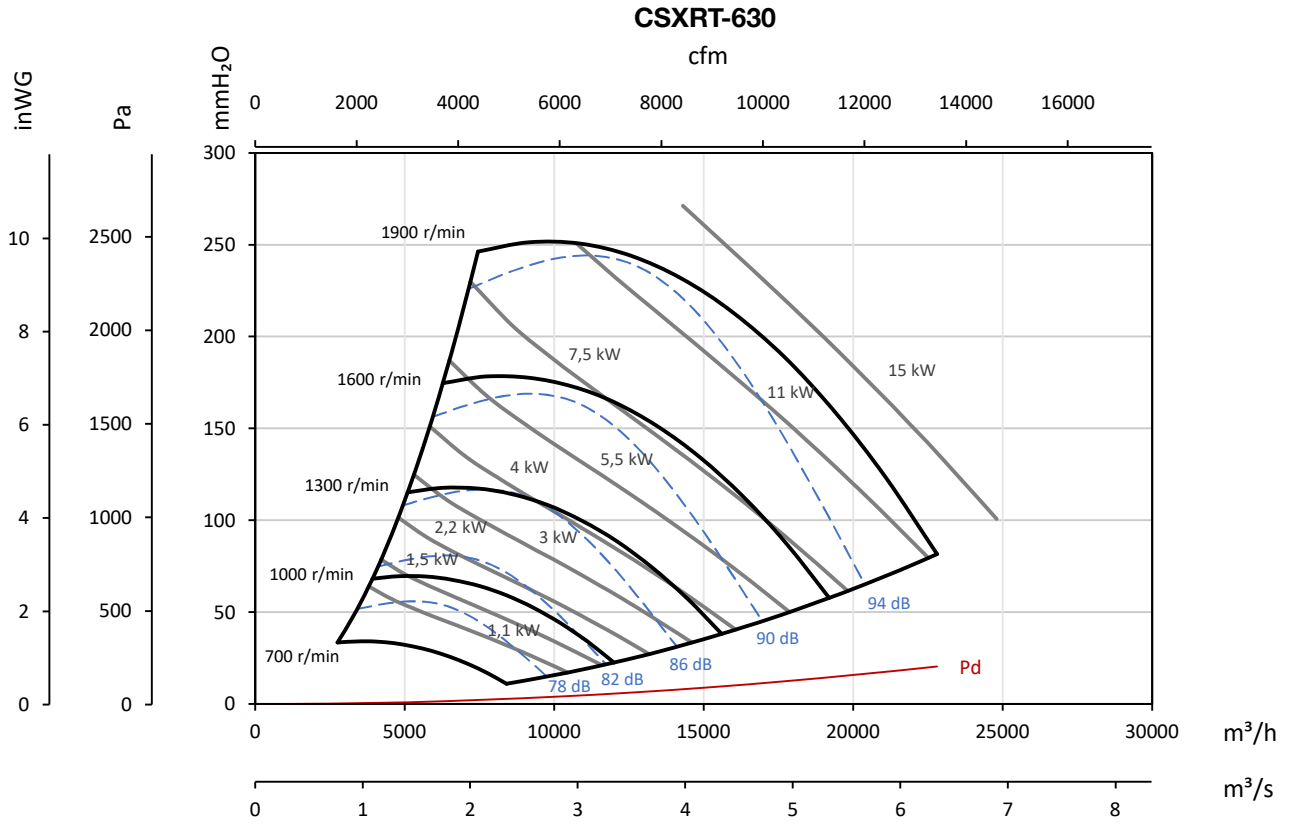
Pe= Static pressure in mm H₂O, Pa and inWG



Characteristic curves

Q= Flow rate in m³/h, m³/s and cfm

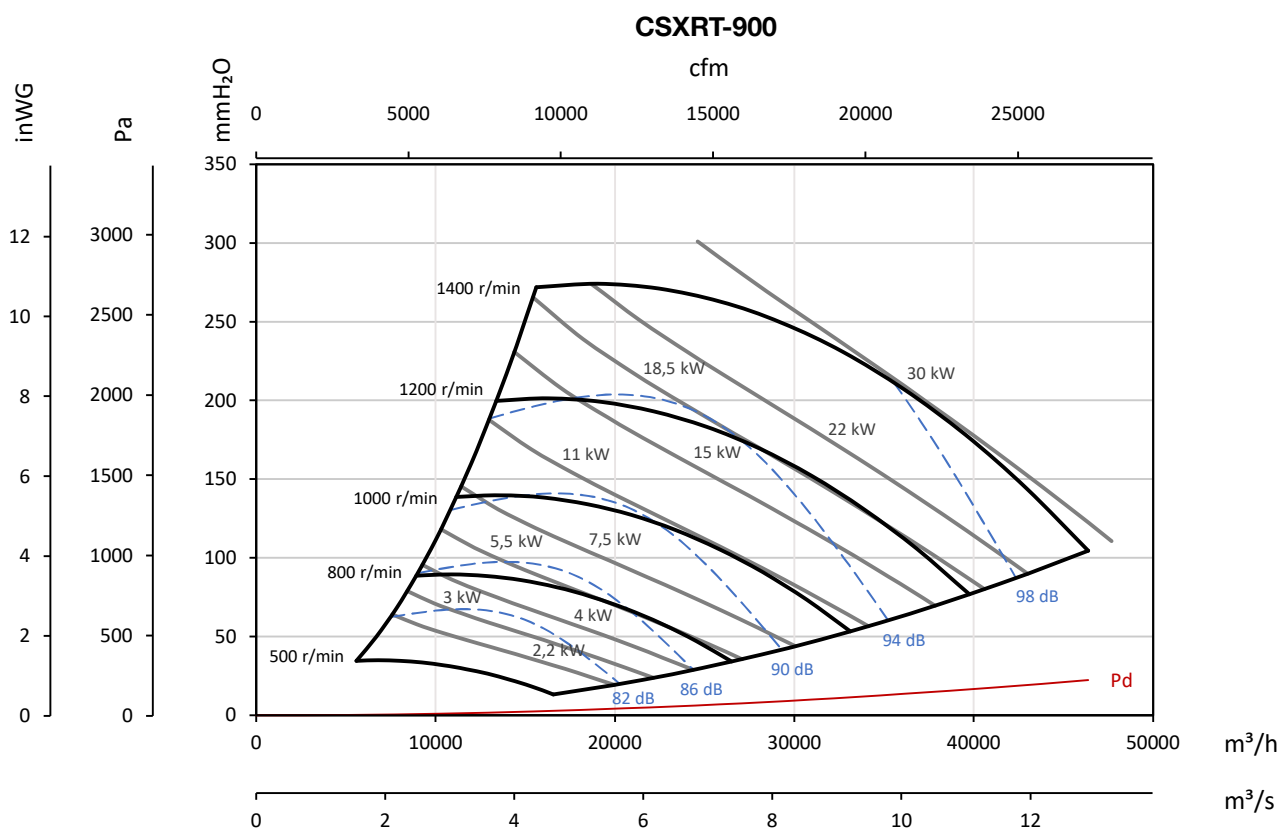
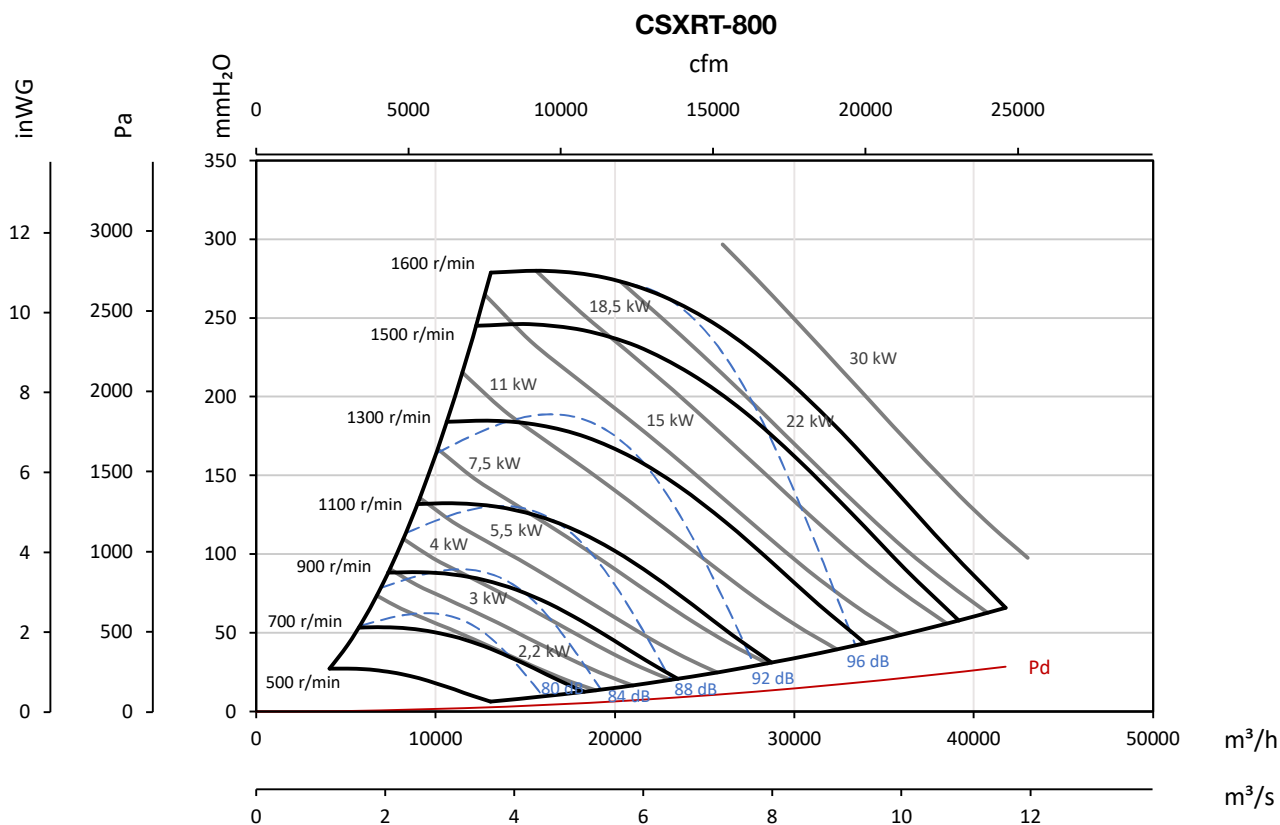
Pe= Static pressure in mm H₂O, Pa and inWG



Characteristic curves

Q= Flow rate in m³/h, m³/s and cfm

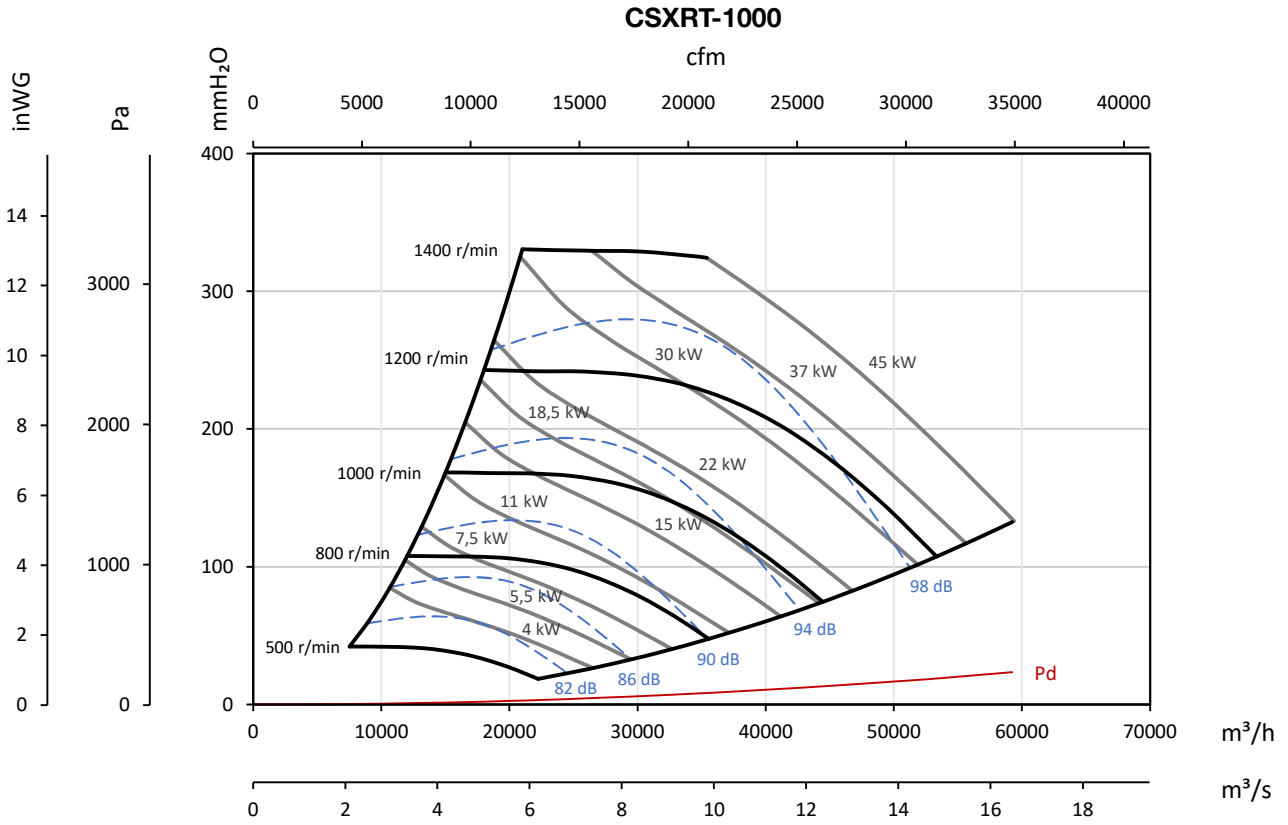
Pe= Static pressure in mm H₂O, Pa and inWG



Characteristic curves

Q= Flow rate in m³/h, m³/s and cfm

Pe= Static pressure in mm H₂O, Pa and inWG



Accessories



INT



VSD3/A-RFT
- VSD1/A-RFM



AET



VIS



ACE ACE/400



TEJ