

HC/EC

Wall mounted axial fans, with EC Technology IE5 motor



← EC TECHNOLOGY MOTOR with integrated electronics



← EC CONTROL Supplied as an optional accessory

Wall mounted axial fans with EC Technology IE5 motor with integrated electronics, specially designed for high energy efficiency.

Fan:

- Airflow direction from motor to impeller.
- Fibreglass reinforced polyamide-6 impeller.
- Steel sheet support frame.
- Protection grid against contacts according to UNE-EN ISO 12499.
- Models 71, 80, 90 and 100: The protection grid is supplied as an accessory.

Motor:

- High efficiency EC Technology motors with integrated electronics, regulated by 0-10 V or 4-20 mA.
- IE5 efficiency motors, class F and IP55 protection.
- Single-phase 230 V 50/60 Hz and three-phase 400 V 50/60 Hz.
- Working temperature: -25 °C +60 °C.

EC CONTROL: Supplied as an optional accessory. Control panel for ventilation

systems with EC Technology motors with the electronics integrated in the motor itself. With the following characteristics:

- CPC: Constant pressure control.
- CFC: Constant flow control.
- DAY/NIGHT: Double pressure setpoint adjustment according to time of day.
- External sensor: compatible with temperature, humidity, air quality or CO sensor.
- Equipment preconfigured in constant pressure mode with 100 Pa set point.

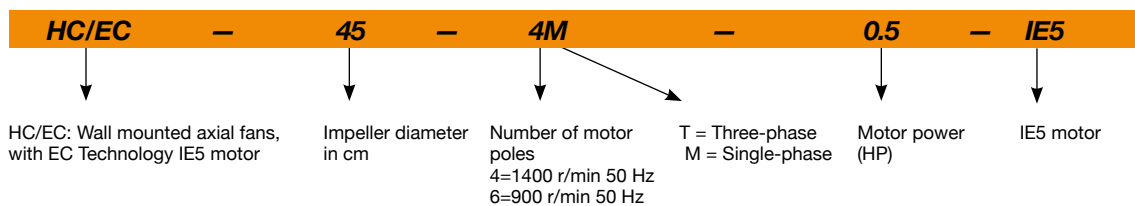
Finish:

- Anti-corrosive finish in polyester resin, polymerised at 190 °C, after degreasing with phosphate-free nanotechnology treatment.

On request:

- Airflow direction from impeller to motor.
- Motor, impeller and grille assembly (F version), except models 71, 80, 90 and 100, which are supplied without a grille.
- Motor, impeller assembly, version G.

Order code



Technical characteristics

Model	Speed (r/min)	Maximum admissible current (A)		Max. electric power (kW)	Maximum flow rate (m ³ /h)	Sound pressure level dB (A)	Approx. weight (Kg)	According ErP*
		230V	400V					
HC/EC-45-4M-0.5 IE5	1400	3.4		0.37	7300	66	14	2020
HC/EC-50-4M-0.75 IE5	1350	4.8		0.55	10200	69	18	2020
HC/EC-56-4M-1.5 IE5	1455	8.9		1.10	13000	72	28	2020
HC/EC-63-4M-1.5 IE5	1455	8.9		1.10	16450	74	30	2020
HC/EC-71-6M-1 IE5	900	5.9		0.75	17324	65	39	2020
HC/EC-80-4T-3 IE5	1435		5.9	2.20	27856	80	58	2020
HC/EC-90-4T-5.5 IE5	1450		10.6	4.00	43700	86	70	2020
HC/EC-90-6T-2 IE5	950		2.9	1.50	33300	76	64	2020
HC/EC-100-6T-2 IE5	950		2.9	1.50	37000	78	67	2020

* In accordance with the ErP 2020 draft



Erp. (Energy Related Products)

Information on Directive 2009/125/EC can be downloaded from the SODECA website or the QuickFan selector programme.

Acoustic characteristics

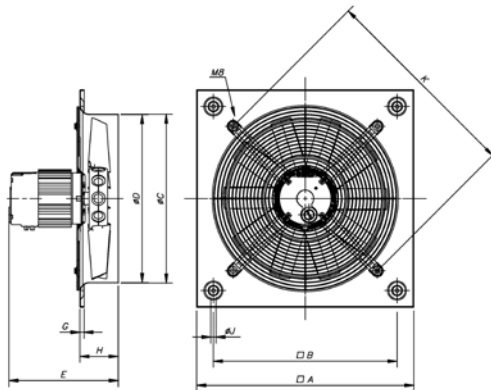
The indicated values are determined by measuring the pressure and sound power levels in dB(A) obtained in a free field at a distance equivalent to twice the size of the fan plus the impeller diameter, with a minimum of 1.5 m.

Sound power spectrum Lw(A) in dB(A) per Hz frequency band

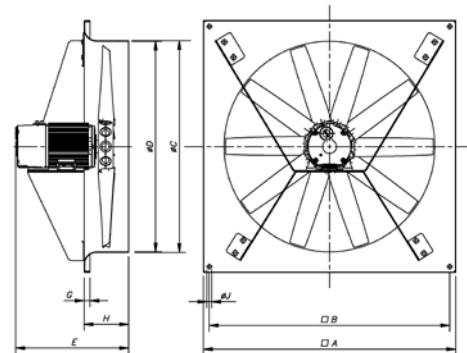
	63	125	250	500	1000	2000	4000	8000
HC/EC-45-4M	33	50	63	70	75	76	71	64
HC/EC-50-4M	36	53	66	73	78	79	74	67
HC/EC-56-4M	39	56	69	76	81	82	77	70
HC/EC-63-4M	43	60	73	80	85	86	81	74
HC/EC-71-6M	35	52	65	72	77	78	73	66
HC/EC-80-4T	60	81	88	93	96	92	85	74
HC/EC-90-4T	64	85	92	97	100	96	89	78
HC/EC-90-6T	54	75	82	87	90	86	79	68
HC/EC-100-6T	58	78	86	91	93	90	83	72

Dimensions mm

HC/EC-45...63



HC/EC-71...100



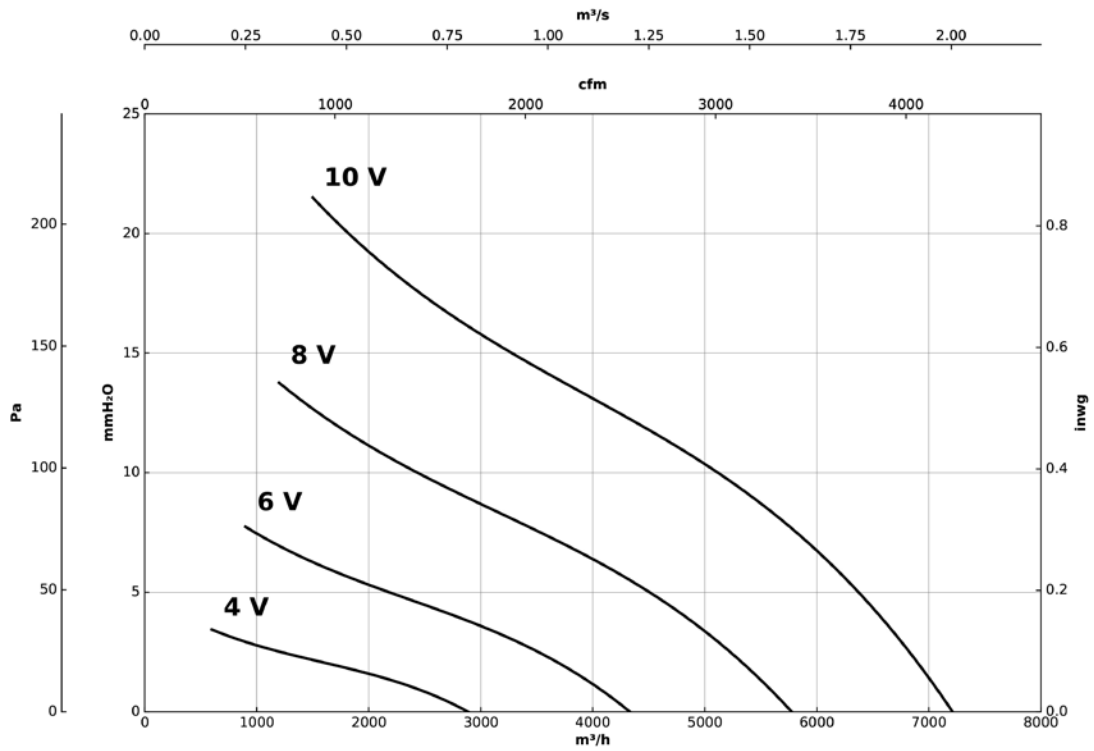
	A	B	ØC	ØD	E	G	H	ØJ	K
HC/EC-45	596	504	462.5	460	322.5	11	105	10.5	560
HC/EC-50	665	562	516.5	514	356.5	11	115	10.5	640
HC/EC-56	710	630	563	560	377.5	15	115	10.5	721
HC/EC-63	800	710	638	635	401	15	140	10.5	820
HC/EC-71	850	810	714	710	405	20	150	14.5	-
HC/EC-80	970	910	804	800	438	20	180	14.5	-
HC/EC-90	1170	1110	904	900	464.5	20	180	14.5	-
HC/EC-100	1170	1110	1004	1000	482	20	180	14.5	-

Characteristic curves

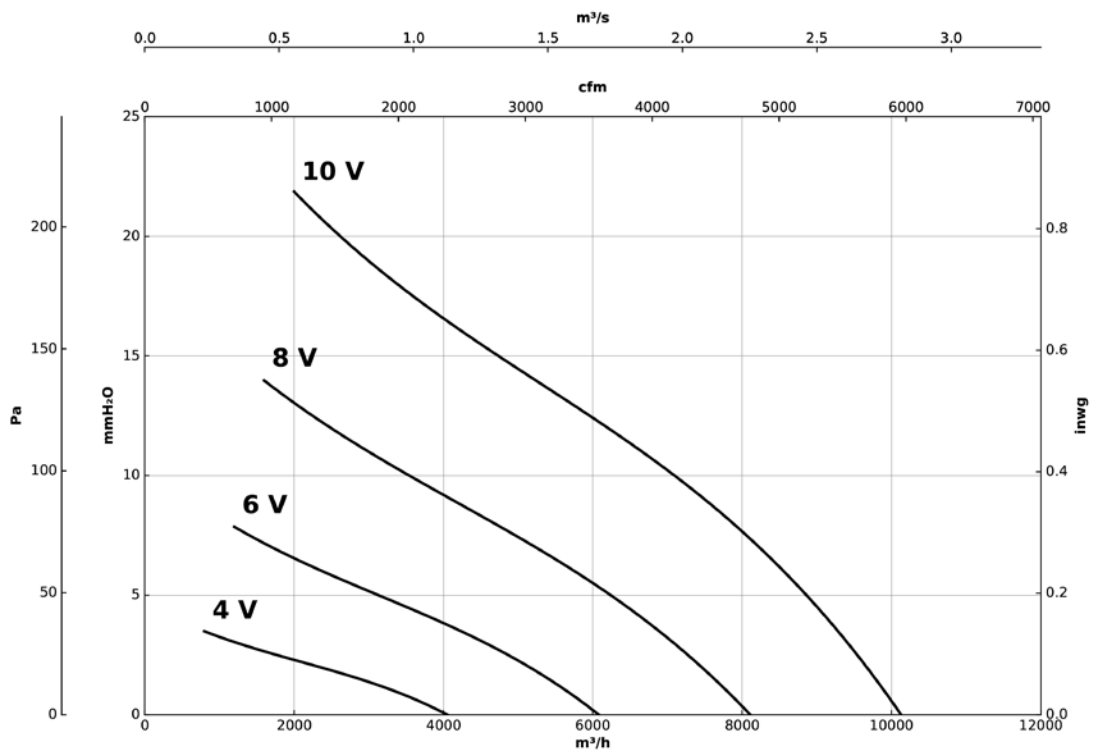
Q= Flow rate in m³/h, m³/s and cfm

Pe= Static pressure in mm H₂O, Pa and inwg

HC/EC-45-4M-0.5



HC/EC-50-4M-0.75

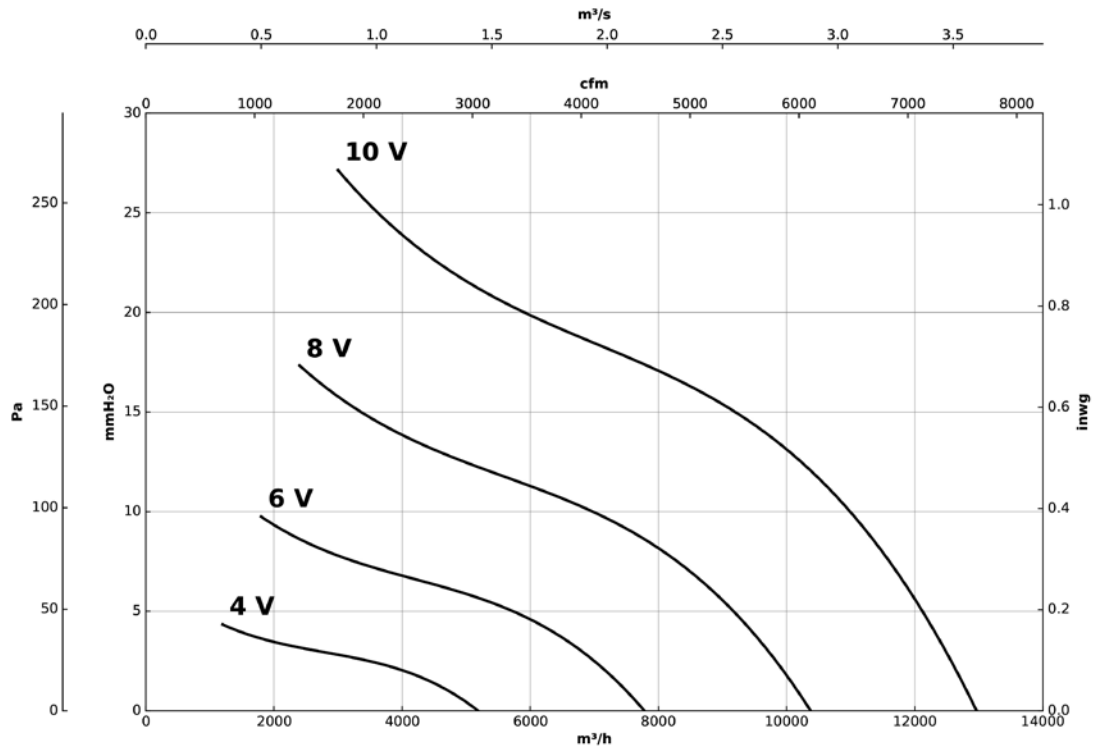


Characteristic curves

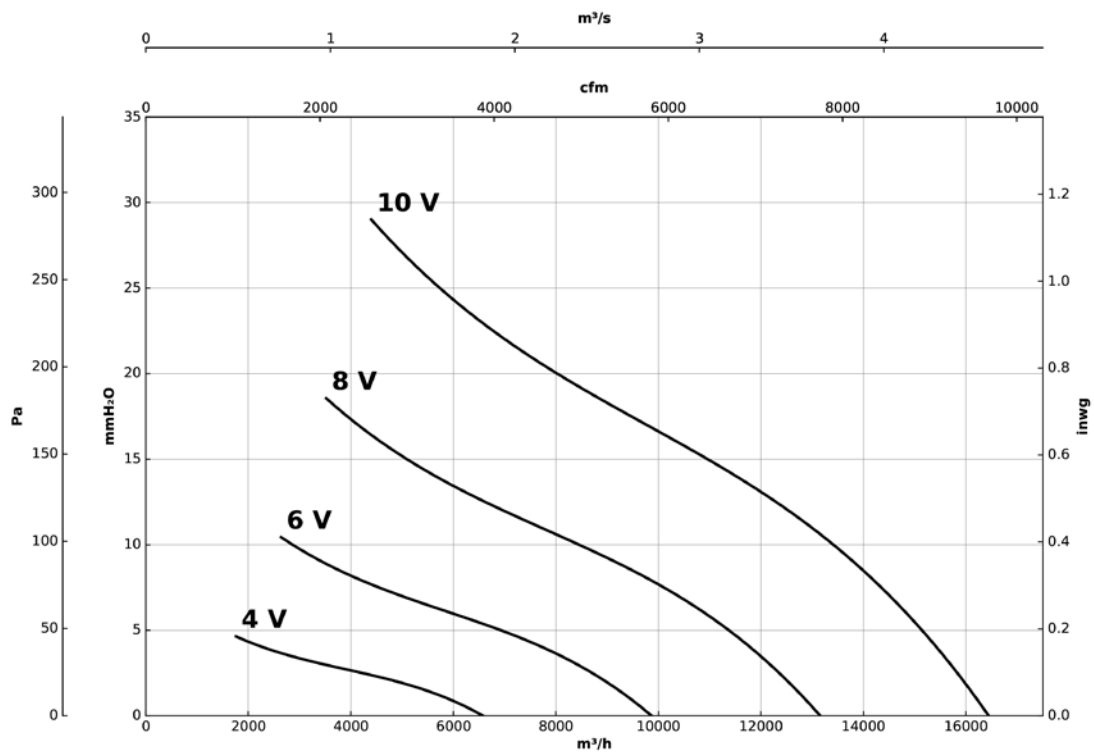
Q= Flow rate in m³/h, m³/s and cfm

Pe= Static pressure in mm H₂O, Pa and inwg

HC/EC-56-4M-1.5



HC/EC-63-4M-1.5

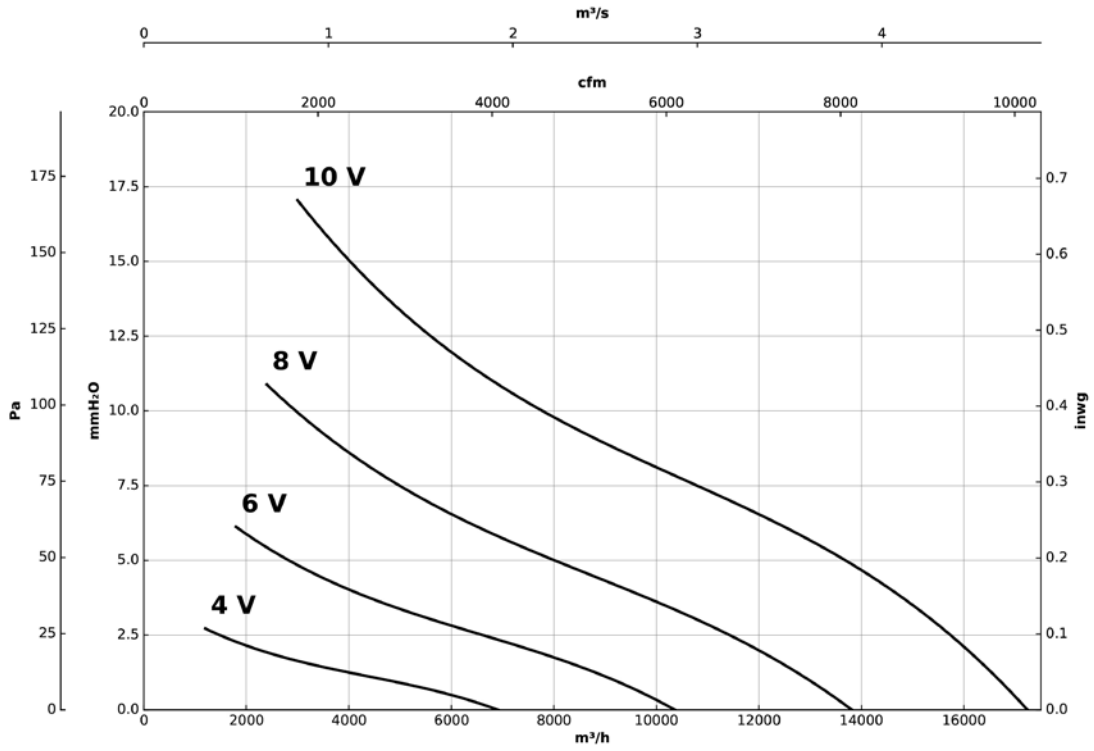


Characteristic curves

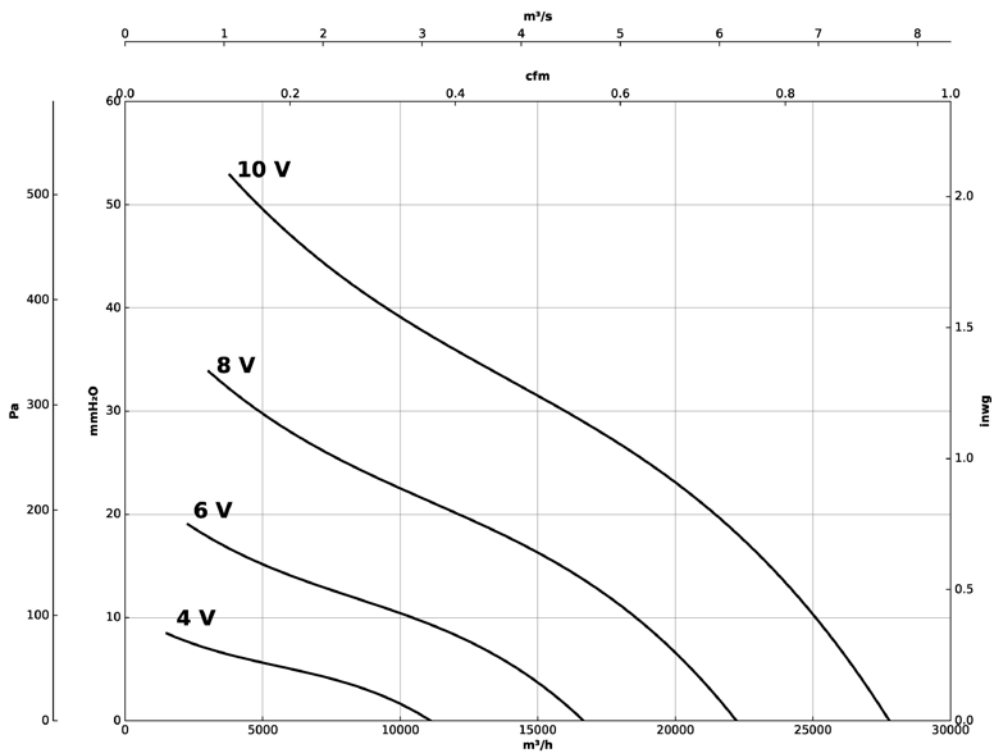
Q= Flow rate in m³/h, m³/s and cfm

Pe= Static pressure in mm H₂O, Pa and inwg

HC/EC-71-6M-1



HC/EC-80-4T-3

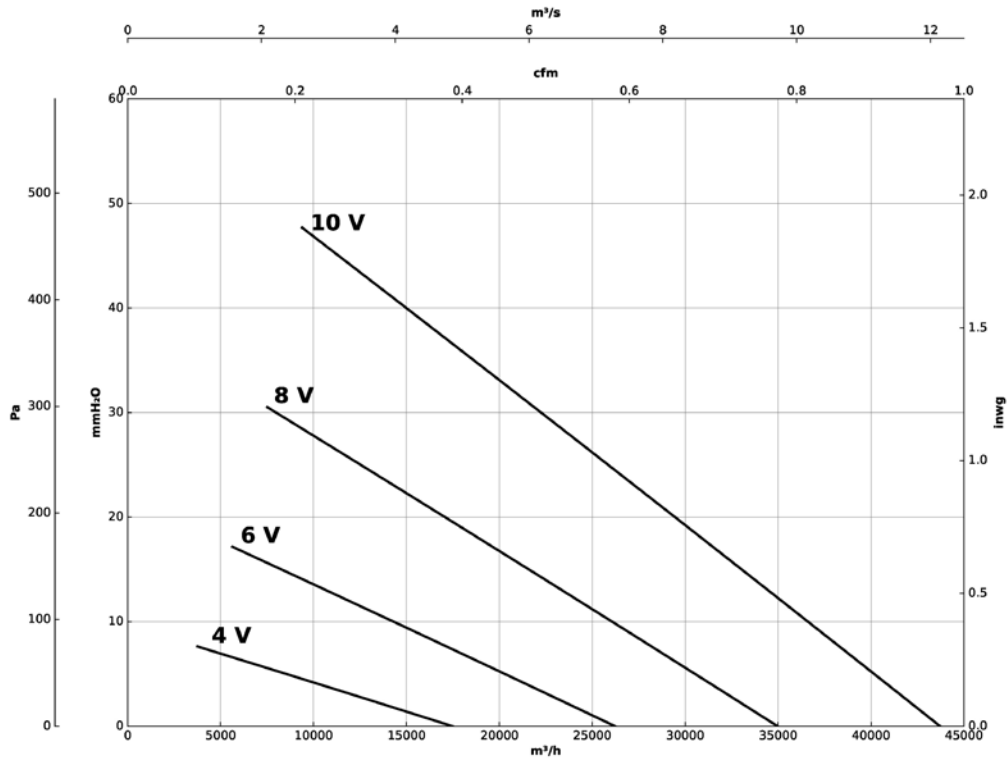


Characteristic curves

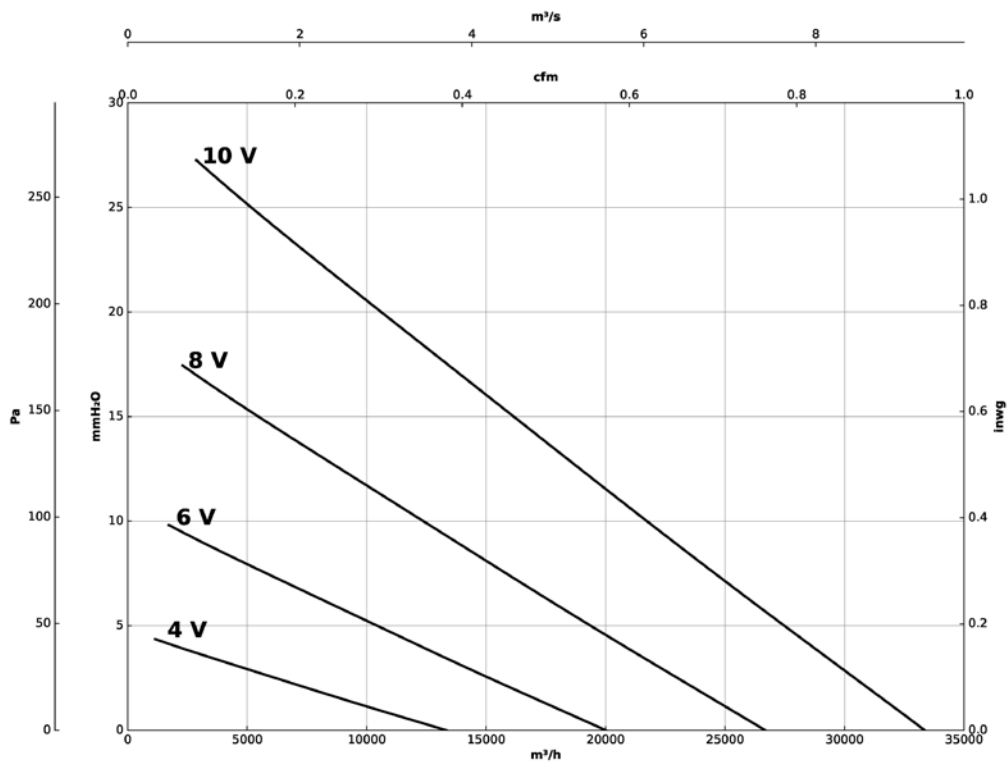
Q= Flow rate in m³/h, m³/s and cfm

Pe= Static pressure in mm H₂O, Pa and inwg

HC/EC-90-4T-5.5



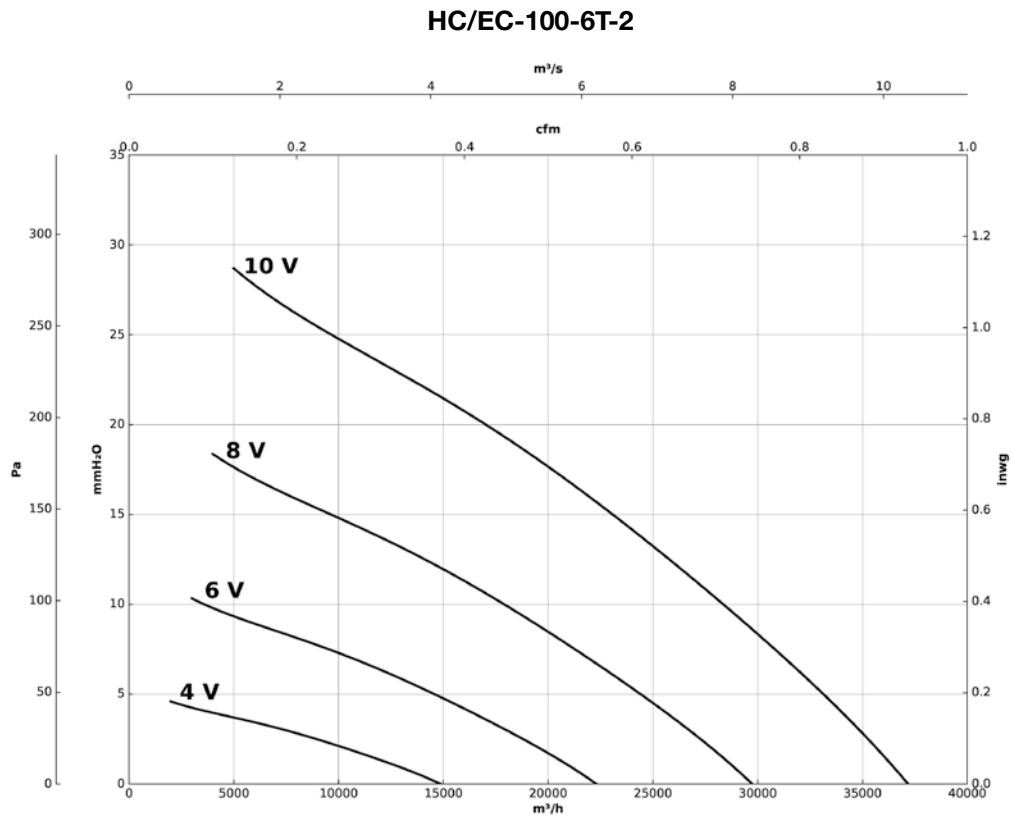
HC/EC-90-6T-2



Characteristic curves

Q= Flow rate in m³/h, m³/s and cfm

Pe= Static pressure in mm H₂O, Pa and inwg



Accessories

