

# SMARTHOME-AIDOO PRO

Device with Modbus communications for remote management of ventilation units via the Airzone Cloud App



Device for the control of ventilation equipment, capable of adjusting various parameters.

Remote control via Cloud services through the Airzone Cloud App, available for both iOS and Android.

Wireless network connection via Wi-Fi. Power supply via external source provided.

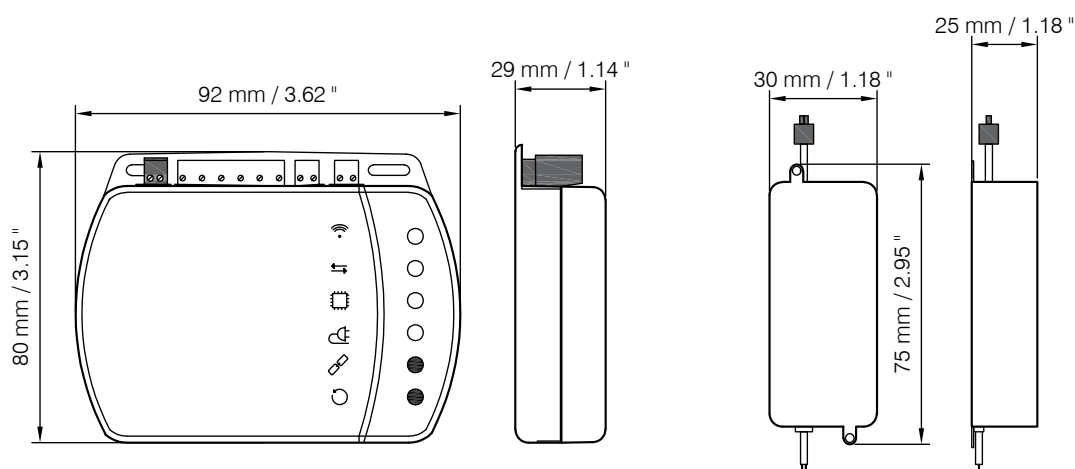
- Dual Wi-Fi communications (2.4/5 GHz).
- Possibility of integration via Local API and Cloud API.
- Detection of errors during communication.
- Time setting of temperature and operating mode.
- Multi-user and multi-session.
- Port for integration via Modbus TCP/RTU and BACnet protocol.
- Cloud integration.



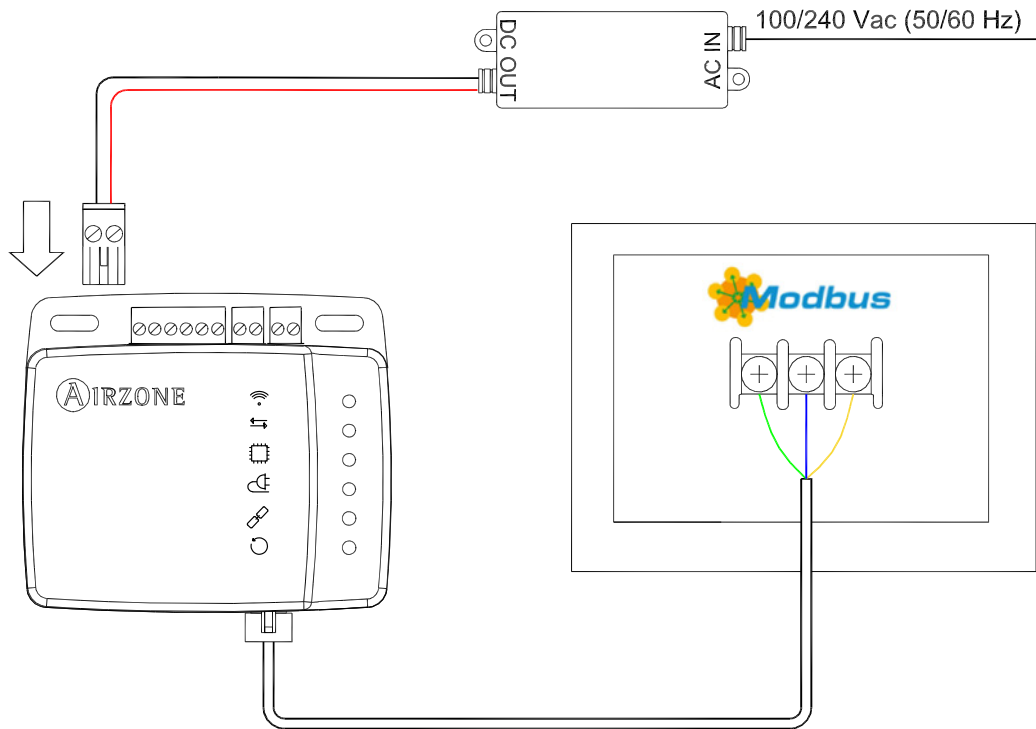
## Technical characteristics

Model	Supply voltage	Nominal current	Control output	Operating humidity range	Operating temperature	Approx. weight	Protection class
	(V)	(A)	(V)	(%)	(°C)	Kg	
SMARTHOME-AIDOO PRO	110/230 V (50/60 Hz)	2	0-12 V	5 a 90 %	-20 a 70	0.13	IP 41

## Dimensions mm



## Connections



## THE PERFECT COMPLEMENT TO VENTILATION SYSTEMS MANAGEMENT

